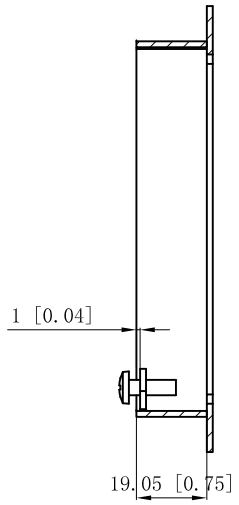
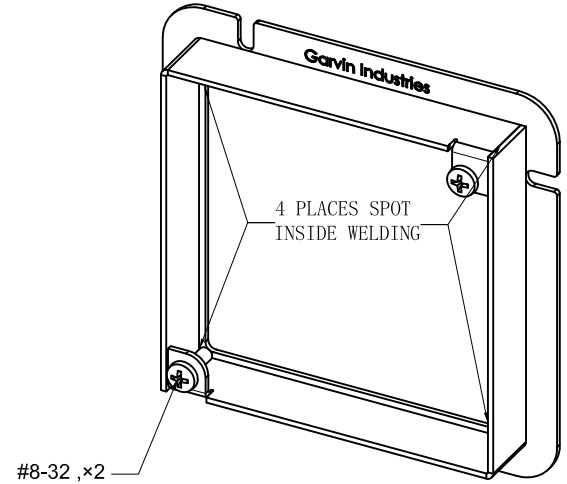
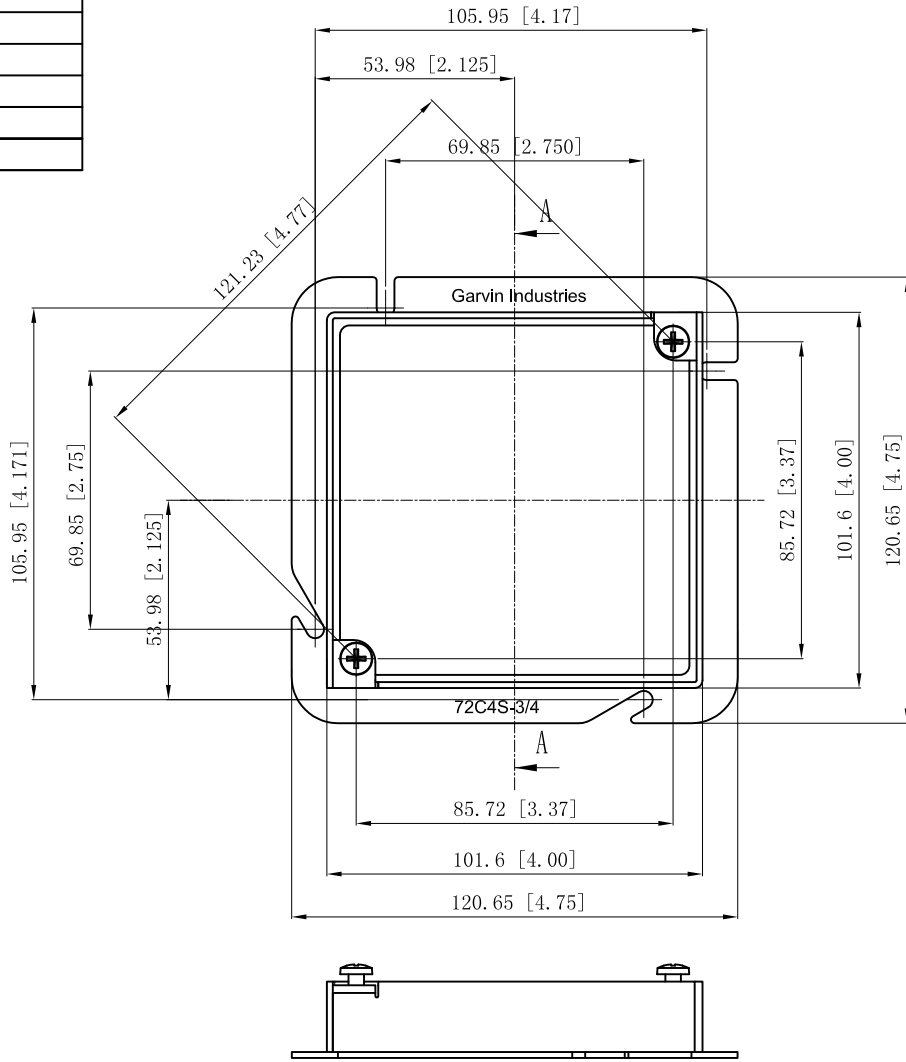


SIDES	BOTTOM
2 PCS 8-32×1/2 Screws Installed	
Material:Steel-0.0625"-G60 Galvanized	



CUTAWAY VIEW A-A



This data sheet is for reference only .GARVIN INDUSTRIES reserves the right to make changes to the design without prior notice.

DESCRIPTION
TRADE REFERENCE TERMS

STANDARD PACKING

GARVIN INDUSTRIES		
TITLE 4-11IN sq to 4IN Sq Raised 3/4		
SIZE A4	DWG NO. 72C4S-3/4	REV
DATA SHEET		
www.garvinindustries.com		