



**SCHOOL HOUSE LIGHT  
ASSEMBLY/INSTALLATION INSTRUCTIONS**

Item # 577494 (SN finish, opal white glass)  
Item # 577502 (ORB finish, opal white glass)

*Please read carefully and save these instructions, as you may need them at a later date.*

**CAUTION**

**WARNING:** Risk of Fire. Min 75°C supply conductors. Consult a qualified electrician to ensure correct branch circuit conductor.  
Turn off the main power at the circuit breaker before installing the fixture, in order to prevent possible shock.

**GENERAL**

All electrical connections must be in accordance with local and National Electrical Code (N.E.C.) standards. If you are unfamiliar with proper electrical wiring connections obtain the services of a qualified electrician.

Remove the fixture and the mounting package from the box and make sure that no parts are missing by referencing the illustrations on the installation instructions.

**TOOLS REQUIRED**

Phillips screwdriver.

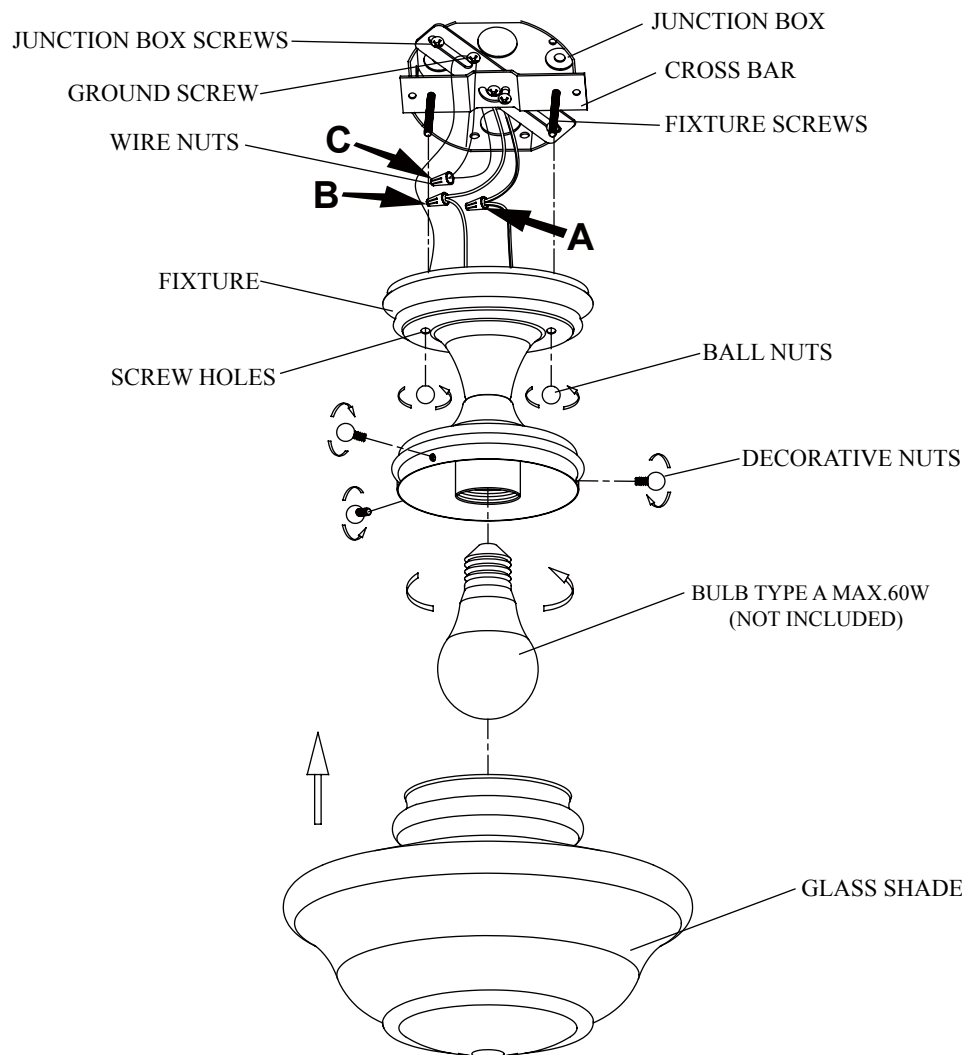
**ASSEMBLY AND INSTALLATION**

**Turn off the power at fuse or circuit breaker.**

1. Gently take all parts out of the package, lay them on a smooth surface, unscrew the BALL NUTS and the long screws. Attach the CROSS BAR to the JUNCTION BOX using (2) JUNCTION BOX SCREWS.
2. Make wire connections with WIRE NUTS:  
A - Connect the black wire from Fixture to the black supply wire.  
B - Connect the white wire from Fixture to the white supply wire.  
C - Attach the fixture ground wire to the CROSS BAR with the green GROUND SCREW. Then connect it to the supply ground wire with a WIRE NUT. Carefully tuck wires back into the JUNCTION BOX.
3. Attach the FIXTURE to the CROSS BAR through SCREW HOLES as shown, and secure it with BALL NUTS.
4. Install BULB (not included). See relamping label at socket area or packaging for maximum allowed wattage.
5. Attach the GLASS SHADE onto FIXTURE using DECORATIVE NUTS.

**Turn on the power at fuse or circuit breaker.**

**ASSEMBLY AND INSTALLATION (CONT.)**



# 577494

# 577502

**IF IN DOUBT ABOUT ELECTRICAL INSTALLATION,  
CONSULT A LICENSED ELECTRICIAN.**

*Customer Service 1-800-558-8700*