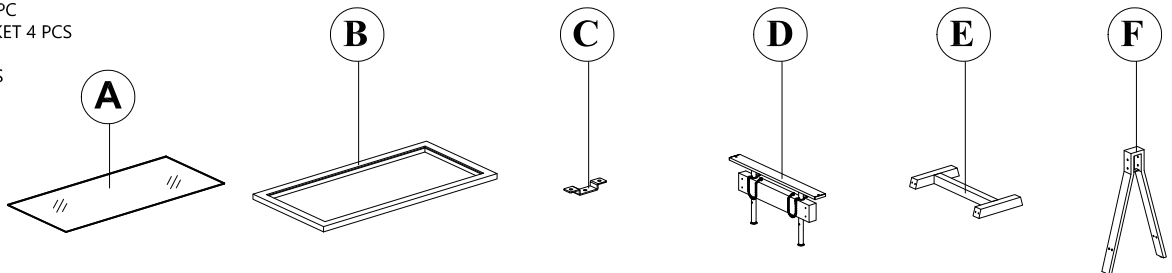


MEDICI ADJUSTABLE DESK ASSEMBLY INSTRUCTIONS



PARTS PACKING CONFIGURATIONS

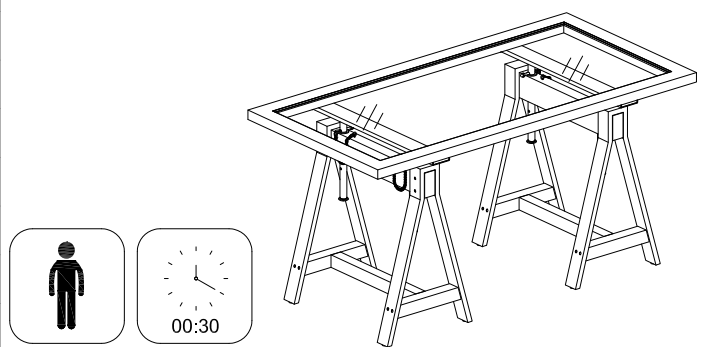
- A. GLASS TOP 1 PC
- B. TABLE TOP FRAME 1 PC
- C. ATTACHMENT BRACKET 4 PCS
- D. LEG FRAME 2 PCS
- E. LEG STRETCHER 2 PCS
- F. LEG 4 PCS



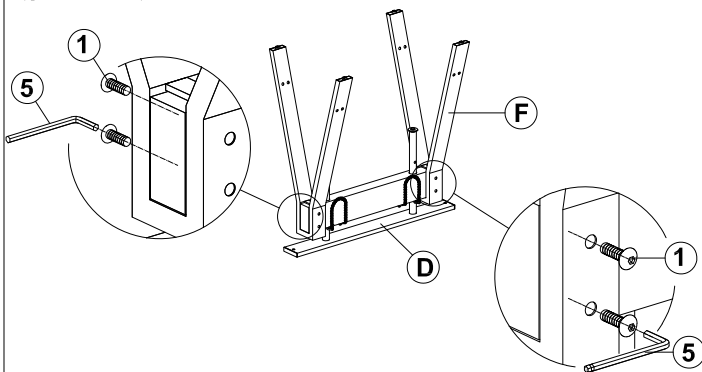
HARDWARE PACKED IN BOX

No	Description	Photo	Quantity
1	ALLEN BOLT (1/4x1-1/4)		36 PCS
2	ALLEN BOLT (1/4x3/4)		8 PCS
3	SPRING WASHER (1/4)		12 PCS
4	FLAT WASHER (1/4)		12 PCS
5	ALLEN KEY		1 PC
6	GLASS BUMPER		8 PCS

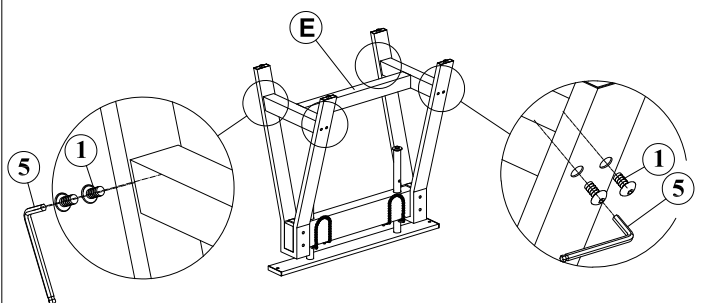
MEDICI ADJUSTABLE DESK FULLY ASSEMBLED



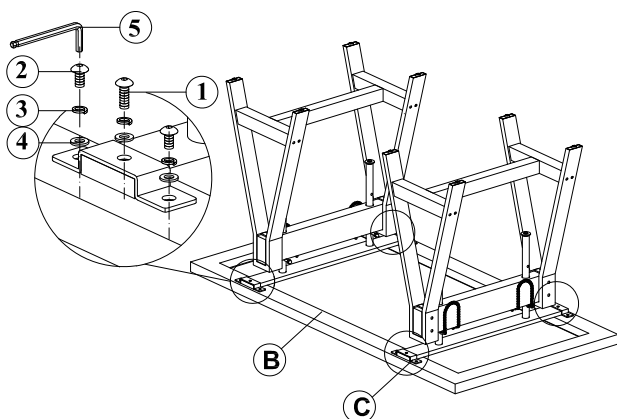
STEP 1:



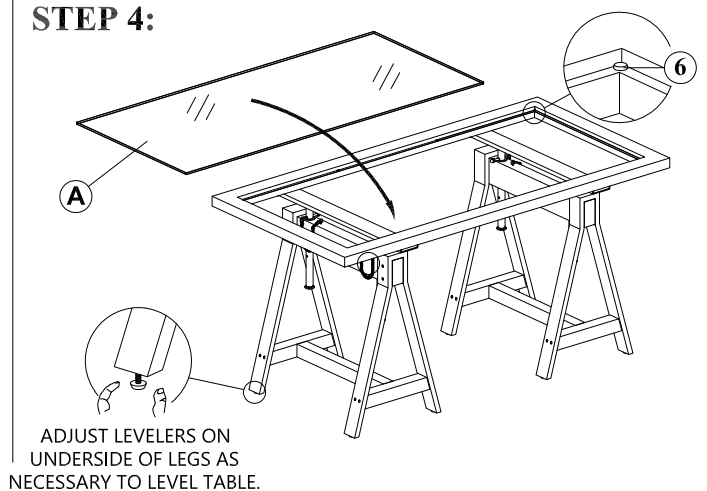
STEP 2:



STEP 3:



STEP 4:

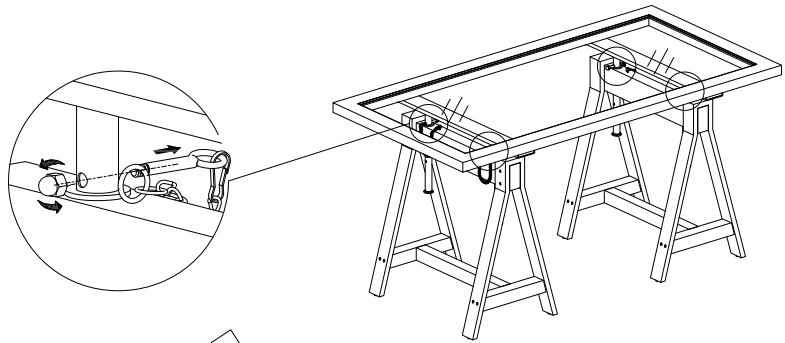


MEDICI ADJUSTABLE DESK ASSEMBLY INSTRUCTIONS

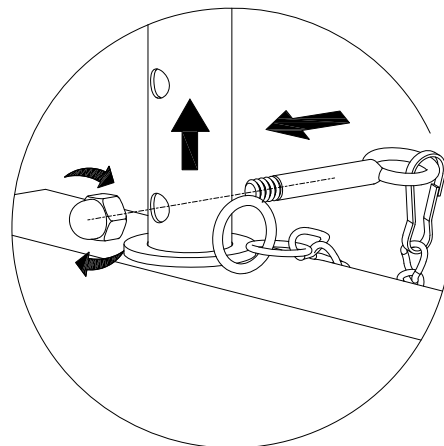


TO ADJUST HEIGHT OF TABLE SURFACE:

**STEP 1: APPLY SLIGHT
UPWARD PRESSURE TO
UNDERSIDE OF TABLE TOP
AND REMOVE PINS.**



**STEP 2: WITH PINS
REMOVED, RAISE TABLE
TOP TO DESIRED HEIGHT
AND REINSERT PINS.**



**STEP 3: ENSURE THAT PINS
ARE SECURED TO PREVENT
ACCIDENTAL REMOVAL.**

