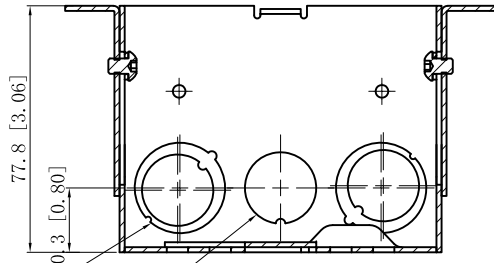


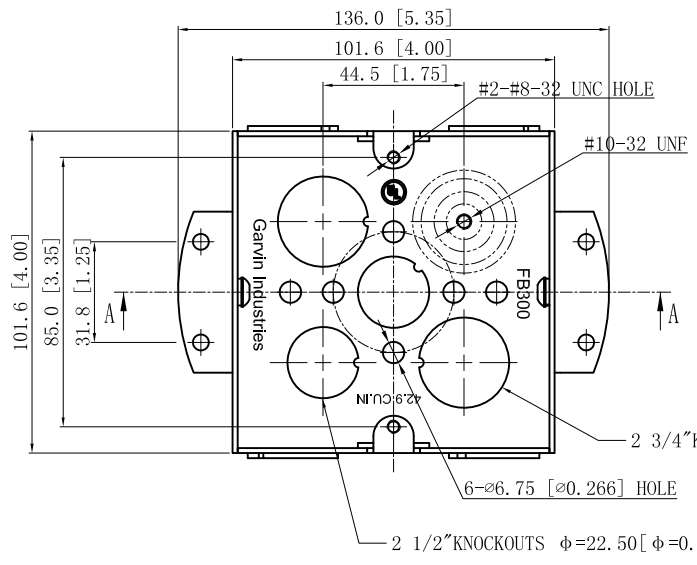
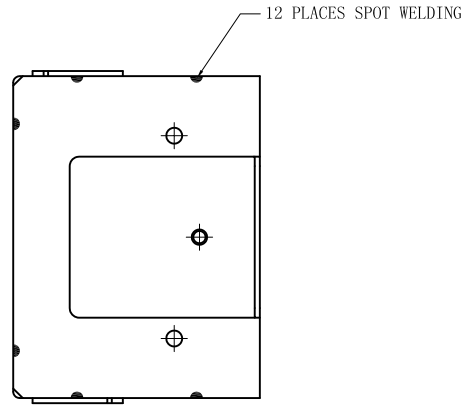
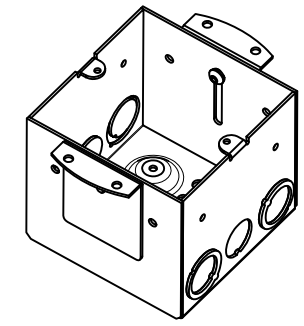
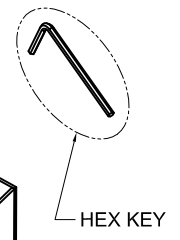
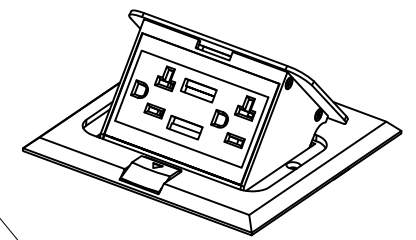
SIDES	BOTTOM
2 PCS 10-32×1/4 Screws Installed	
2 pcs No.10 spring lock washers Installed	
1 pcs #10-32 Allen wrench hex key	
Material:Steel-0.0625"-G60 Galvanized	



CUTAWAY VIEW A-A

- 4 1/2"-3/4" KNOCKOUTS $\phi=22.50$ [$\phi=0.886$]
 $\phi=28.50$ [$\phi=1.122$]
- 2 1/2" KNOCKOUTS $\phi=22.50$ [$\phi=0.886$]

NO.10 LOCK WASHERS, ×2
#10-32 UNF, ×2
"PINCH" END OF SCREW
AFTER INSTALL SO IT CANNOT
BE EASILY REMOVED



This data sheet is for reference only .GARVIN INDUSTRIES reserves the right to make changes to the design without prior notice.

DESCRIPTION
TRADE REFERENCE TERMS

STANDARD PACKING	GARVIN INDUSTRIES		
	4" SQUARE BOXES		
	TITLE		
	SIZE	DWG NO.	REV
	A4	FBCVBR-U-KIT	
DATA SHEET			
www.garvinindustries.com			