

WARNING:

Small parts and sharp points may be present prior to assembly.

Care Instructions



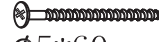
To clean your product, use mild soap and water on a damp cloth. Do not use window cleaners or cleaning abrasives as they will scratch the surface and could damage the protective coating.

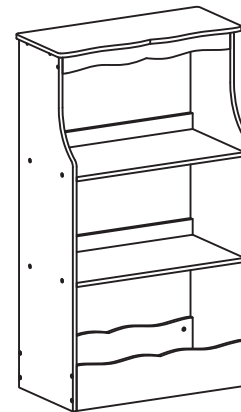
Customer Service

For questions regarding this product, or to receive replacement or missing parts, please contact customer service based on your location. Please have ready the model number and part number(s) located in this assembly instruction sheet when you contact us.



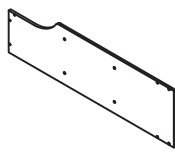
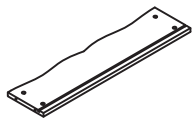

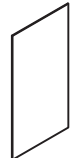
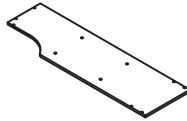

www.teamsonkids.com

HARDWARES:


- ①  10PCS
φ4*29mm
- ②  6PCS
φ5*30mm
- ③  16PCS
φ5*60mm

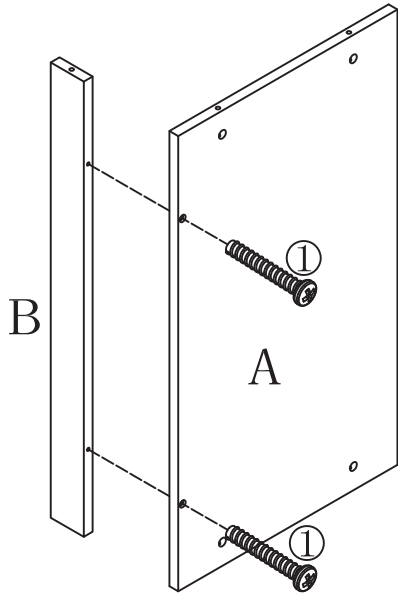


PRODUCT PARTS:


A	B	C	D	E	F
					
2PCS	2PCS	1PC	2PCS	1PC	1PC
G	H				
					
1PC	1PC				

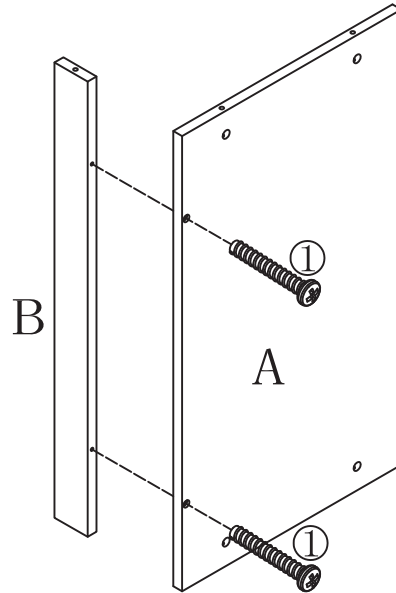
Step 1

- ①  2PCS
Ø4*29mm





Step 2


- ①  2PCS
Ø4*29mm

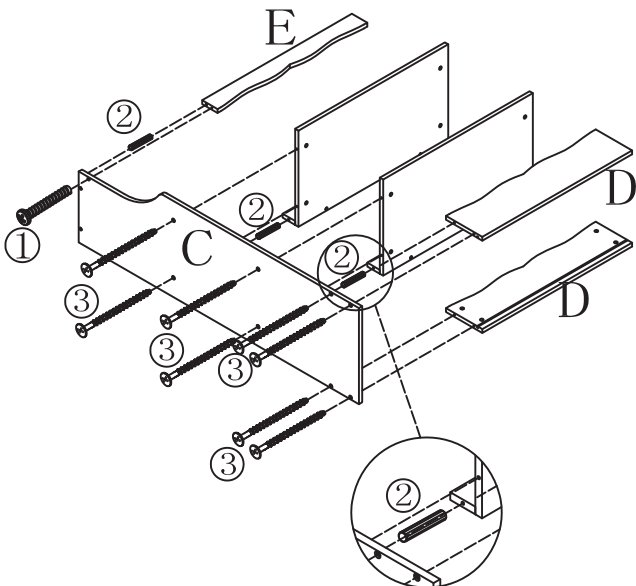


Step 3

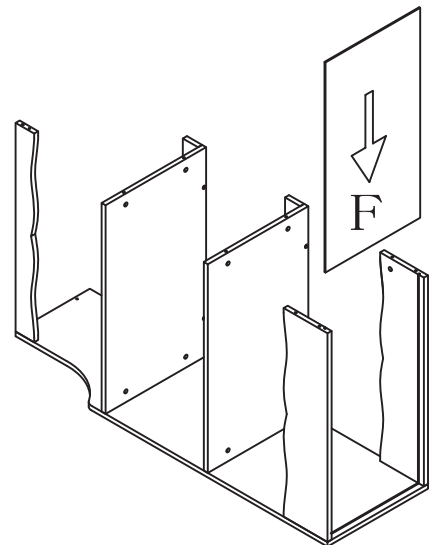
- ②  3PCS
Ø5*30mm

- ③  8PCS
Ø5*60mm




- ①  1PC
Ø4*29mm

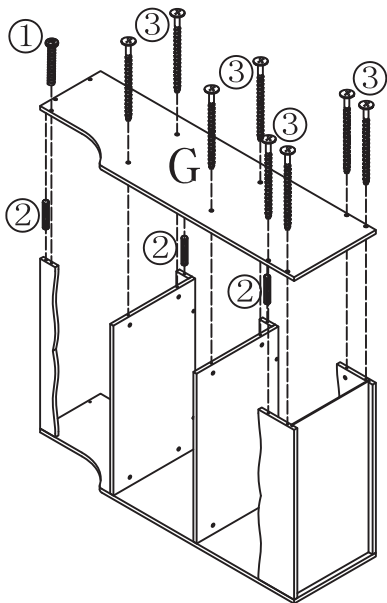


Step 4




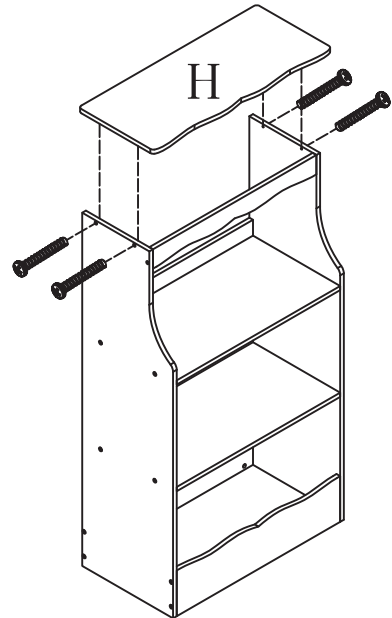
Step 5

- ②  3PCS
Ø5*30mm
- ③  8PCS
Ø5*60mm
- ①  1PC
Ø4*29mm

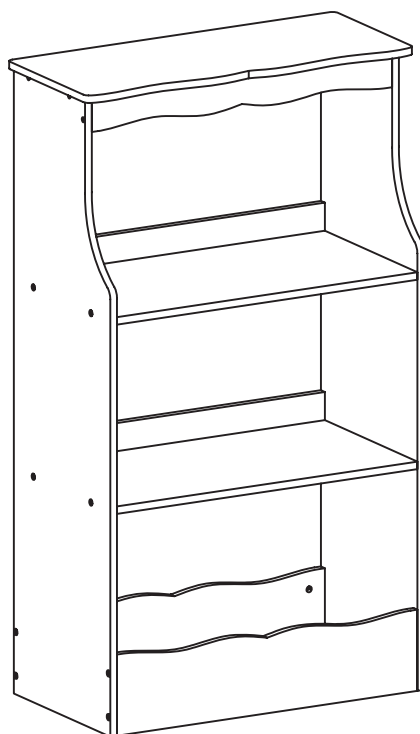


Step 6

- ①  4PCS
Ø4*29mm



Step 7



MADE IN CHINA