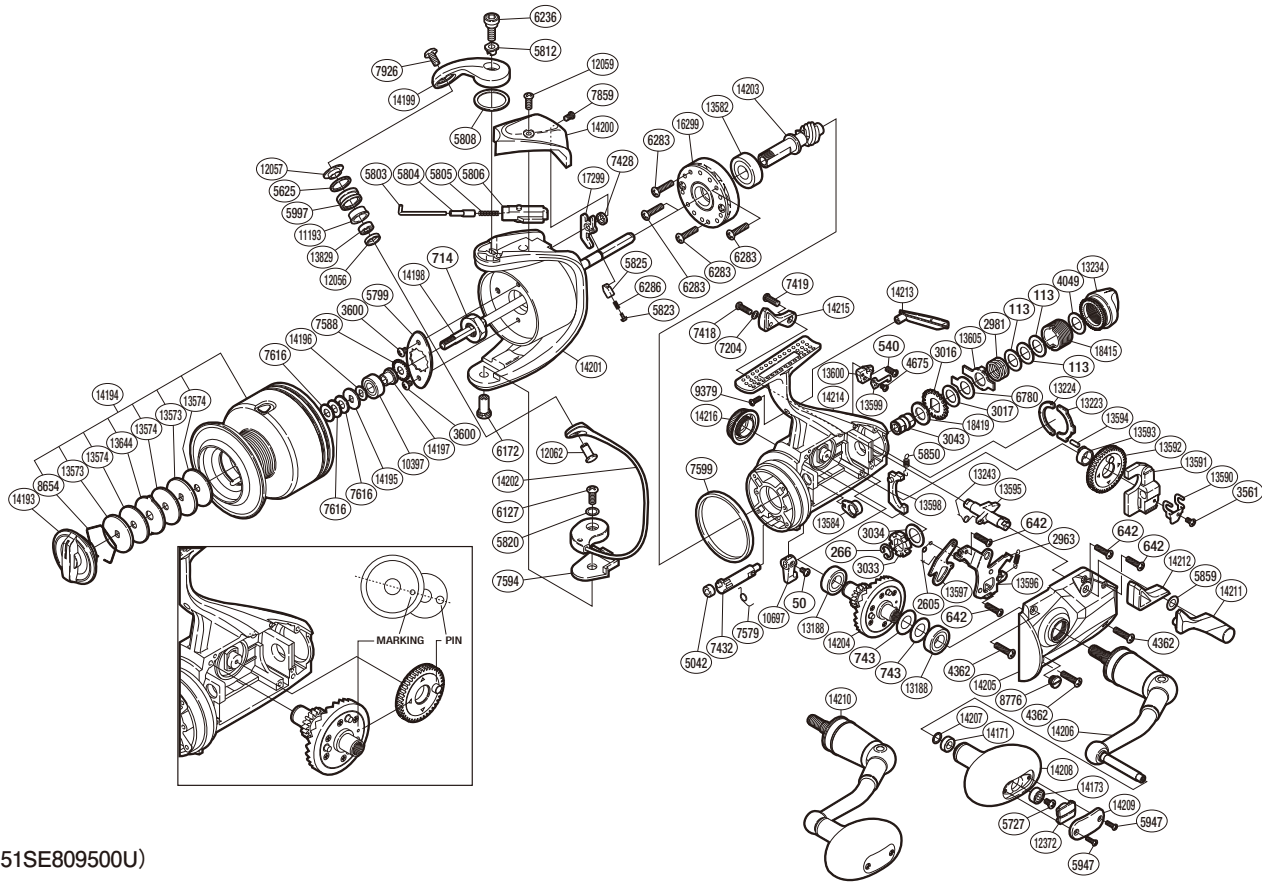


# SHIMANO

## THUNNUS CI4

## TU-12000CI4



(51SE809500U)

#	Part No.	Description	#	Part No.	Description	#	Part No.	Description
50	10MPT	Screw	6283	10LJ2	Screw	13595	106MY	Baitrunner Lever Shaft
113	10C0Z	Washer	6286	10FEA	Bail Trip Lever Spring	13596	10NZW	Clutch Plate Assembly
266	10S56	C Lock	6780	10N83	Single Eared Washer	13597	10G71	Clutch Pawl
540	103GS	Screw	7204	10KF3	Lock Washer	13598	10N0X	Baitrunner Pawl
642	10M35	Screw	7418	10L6L	Screw	13599	106RZ	Dial Click
714	107VS	Rotor Nut	7419	10LLG	Screw	13600	106WJ	Baitrunner Pawl Guide
743	10HHL	Washer	7428	10FQQ	Bail Trip Lever Washer	13605	107CT	Eared Washer
2605	10QCX	Clutch Pawl Spring	7432	10DB7	Anti-Reverse Cam	13644	102XR	Eared Washer
2963	10422	Baitrunner Click Spring	7579	10DCM	Anti-Reverse Cam Spring	13829	104JZ	Ball Bearing
2981	106RR	Free Spool Tension Spring	7588	10Q06	Spool Support	14171	104UJ	Handle Knob Bushing
3016	10BTL	Click Gear	7594	10HAZ	Bail Hold Support Spacer	14173	10KX2	Ball Bearing
3017	10KJ4	Free Spool Tension Washer	7599	10D7K	Friction Ring	14193	102FS	Drag Knob
3033	10BX2	Baitrunner Ratchet	7616	10PH6	Spool Washer	14194	10LXV	Spool Assembly
3034	10PDE	Spacer	7859	10MPU	Screw	14195	1074Y	Washer
3043	10S5U	Free Spool Tension Shaft	7926	103HN	Screw	14196	106ZZ	Washer
3561	10MT4	Screw	8654	10B6A	Drag Washers Retainer	14197	10LTT	Bearing Bushing
3600	103L4	Screw	8776	104KM	Oil Cap	14198	10L1B	Main Shaft
4049	109H8	Washer	9379	10L1U	Screw	14199	1071N	Bail Arm
4362	10MBT	Screw	10397	104Q4	Ball Bearing	14200	10QMP	Bail Spring Cover
4675	10LV7	Screw	10697	10JG4	Anti-Reverse Lever	14201	109YA	Rotor
5042	106F8	Anti-Reverse Cam Ring	11193	10PFC	Line Roller Bushing	14202	106LF	Bail Assembly
5625	10KFF	Line Roller Spacer	12056	10629	Bearing Spacer	14203	105WK	Pinion Gear
5727	103GQ	Screw	12057	10PJN	Line Roller Washer	14204	10A5E	Drive Gear
5799	10FR9	Rotor Nut Retainer	12059	10LJ4	Screw	14205	10CAN	Side Cover
5803	105YA	Bail Spring Guide A	12062	10DB1	Line Roller Support	14206	1066L	Handle Shank Assembly
5804	10HDG	Spring Guide A Support	12372	10B97	Handle Knob Seal	14207	10U0G	Washer
5805	10G0X	Bail Spring	13188	10BGD	Ball Bearing	14208	102KD	Handle Knob
5806	107A4	Bail Spring Guide B	13223	10S63	Dial Retainer	14209	108SZ	Handle Knob I.D. Plate
5808	10HDQ	Washer	13224	1050X	Dial Retainer B	14210	10LP9	Handle Assembly
5812	10K58	Screw Collar	13234	10LYF	Baitrunner Tension Dial	14211	10Q7C	Baitrunner Lever Arm L
5820	105AA	Spacer	13243	104CH	Clutch Spring	14212	10PC6	Baitrunner Lever Bridge
5823	10D20	Lever Spring Guide A	13573	10N2F	Key Washer	14213	10461	Body I.D. Plate
5825	10D21	Lever Spring Guide B	13574	10340	Drag Washer	14214	10NWM	Body
5850	10G75	Baitrunner Pawl Spring	13582	10KAK	Ball Bearing	14215	108PO	Baitrunner Lever Arm R
5859	10ATP	Spacer	13584	10JTN	Pinion Gear Bushing	14216	10P8K	Handle Screw Cap
5947	103NH	Screw	13590	10JZU	Oscillating Slider Retainer	16299	10QPF	Roller Clutch Assembly
5997	10JP4	Line Roller	13591	104WR	Oscillating Slider	17299	108TY	Bail Trip Lever
6127	103HA	Screw	13592	10PGR	Oscillating Gear	18415	106RM	Free Spool Tension Screw
6172	10K4T	Bail Hold Support Shaft	13593	10JYH	Oscillating Gear Bushing	18419	10P0T	Free Spool Tension Washer
6236	10Q8B	Screw	13594	10PDR	E Pin			

Please note that the number of adjusting washers may not be the same as shown in the exploded views.  
(Adjustment will vary with each individual product.)

(231116)\_004