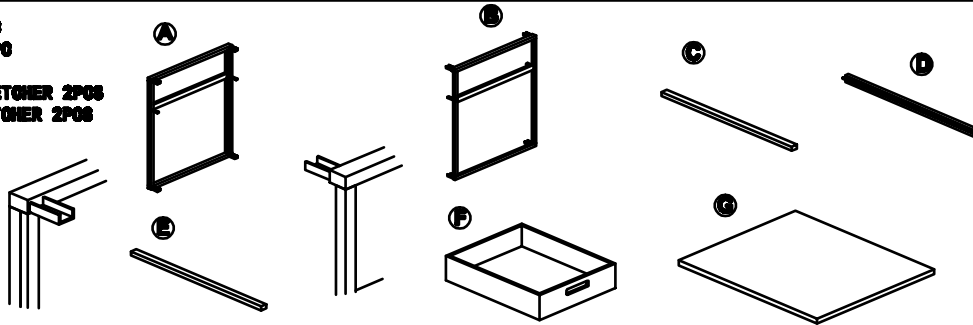


# BRADLEY END TABLE ASSEMBLY INSTRUCTIONS



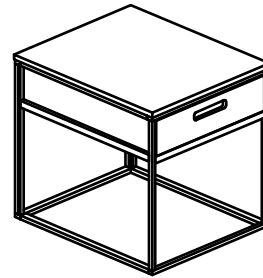
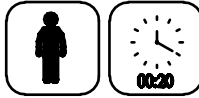
## PARTS PACKING CONFIGURATIONS

- A. BACK SIDE PANEL 1PC
- B. FRONT SIDE PANEL 1PC
- C. TOP STRETCHER 2PCS
- D. MIDDLE OUTSIDE STRETCHER 2PCS
- E. BOTTOM INSIDE STRETCHER 2PCS
- F. DRAWER 1PC
- G. TOP 1PC

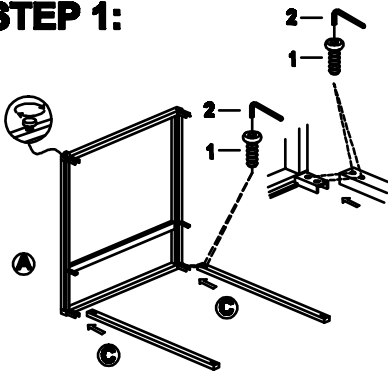


### HARDWARE ENCLOSED IN CARTON

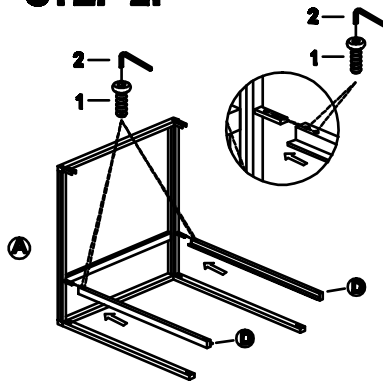
No	Description	Photo	Quantity
1	ALLEN BOLT (1/4 x 1-1/2)		24 PCS
2	ALLEN KEY		1 PC
3	WOOD SCREW		12 PCS



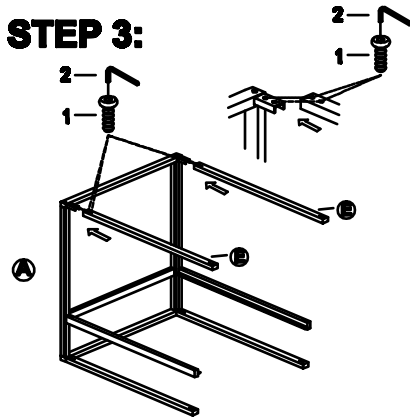
### STEP 1:



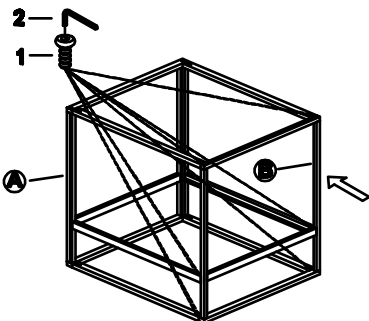
### STEP 2:



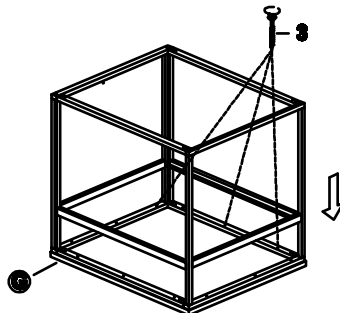
### STEP 3:



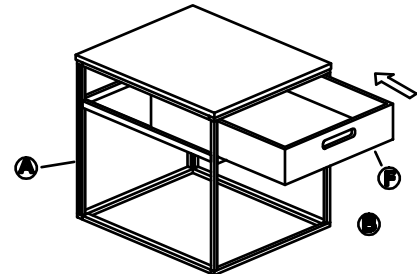
### STEP 4:



### STEP 5:



### STEP 6:



### FULLY ASSEMBLED

