



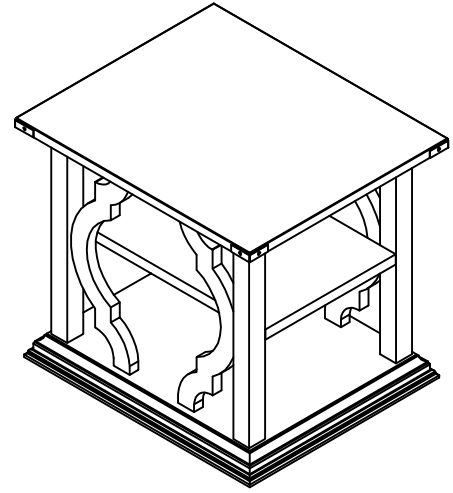
W1064-01

Rectangular End Table

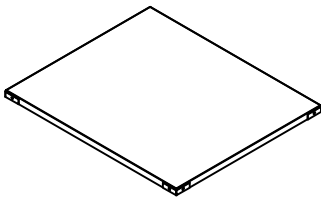
IMPORTANT NOTE

Carefully remove all the parts from the carton and put them individually on a soft cloth to prevent damage to the parts.

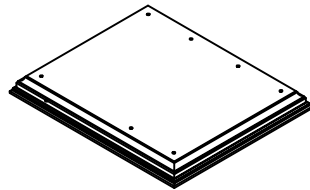
We have taken great care in the design of this product and request that you carefully and strictly follow our assembly instructions to ensure a completed product as it was designed.



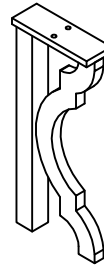
Parts List



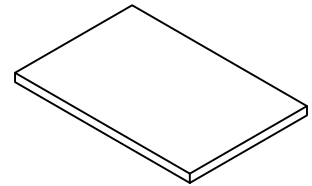
A. Table Top
1 piece



B. Base
1 piece



C. Side Section
4 pieces



D. Shelf
1 piece

Hardware List



Long Bolt
16 pieces (+ 1 extra)



Large Flat Washer
16 pieces (+ 1 extra)



Spring Washer
24 pieces (+ 1 extra)



Hex Key
1 piece



Short Bolt
8 pieces (+ 1 extra)

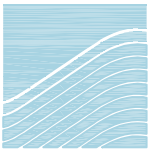


Small Flat Washer
8 pieces (+ 1 extra)



Shelf Pin
4 pieces (+ 1 extra)

Tool (s) Recommended for assembly : Level



IMPORTANT

- Do not tighten up all the screws until each part is properly assembled.
- You should keep Hex Key in a safe place as you may need to tighten up the bolts in the future.
- Use a soft cloth between these parts and the floor.

STEP 1

Attach all the Side Sections (C) to the Base (B) with the Long Bolt, Spring Washer and Large Flat Washer, tighten with the Hex Key. (See Figure 1)

Note: Do not fully tighten the bolts at this stage

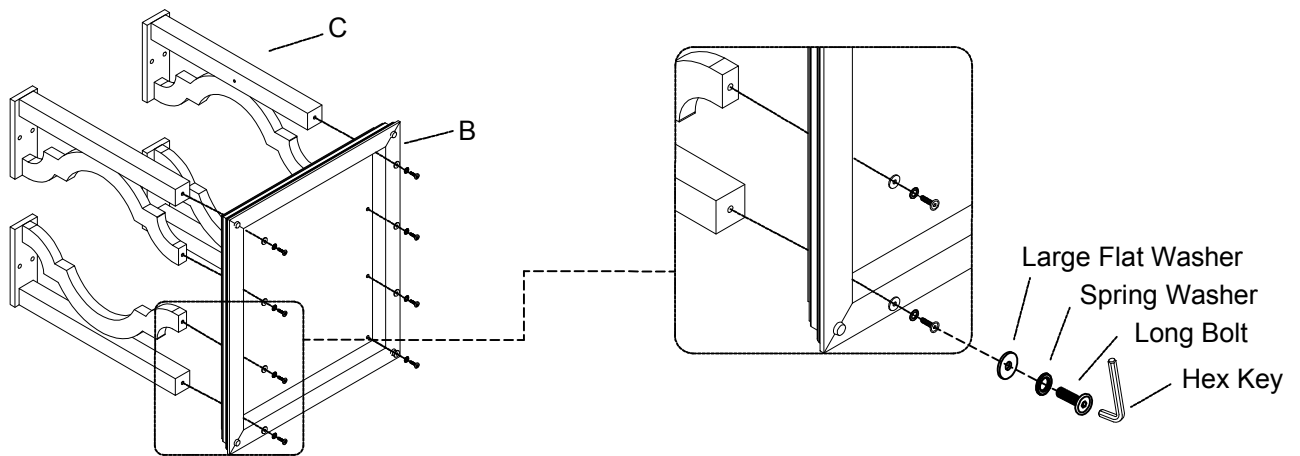


Figure 1

STEP 2

Insert the Shelf Pins into the Side Section (C) and secure with the Short Bolt, Spring Washer, Small Flat Washer, and tighten with the Hex Key. Place the Shelf (D) on the Shelf Pins and fix using the Short Bolt, the Spring Washer, Small Flat Washer and tighten with the Hex Key. (See Figure 2)

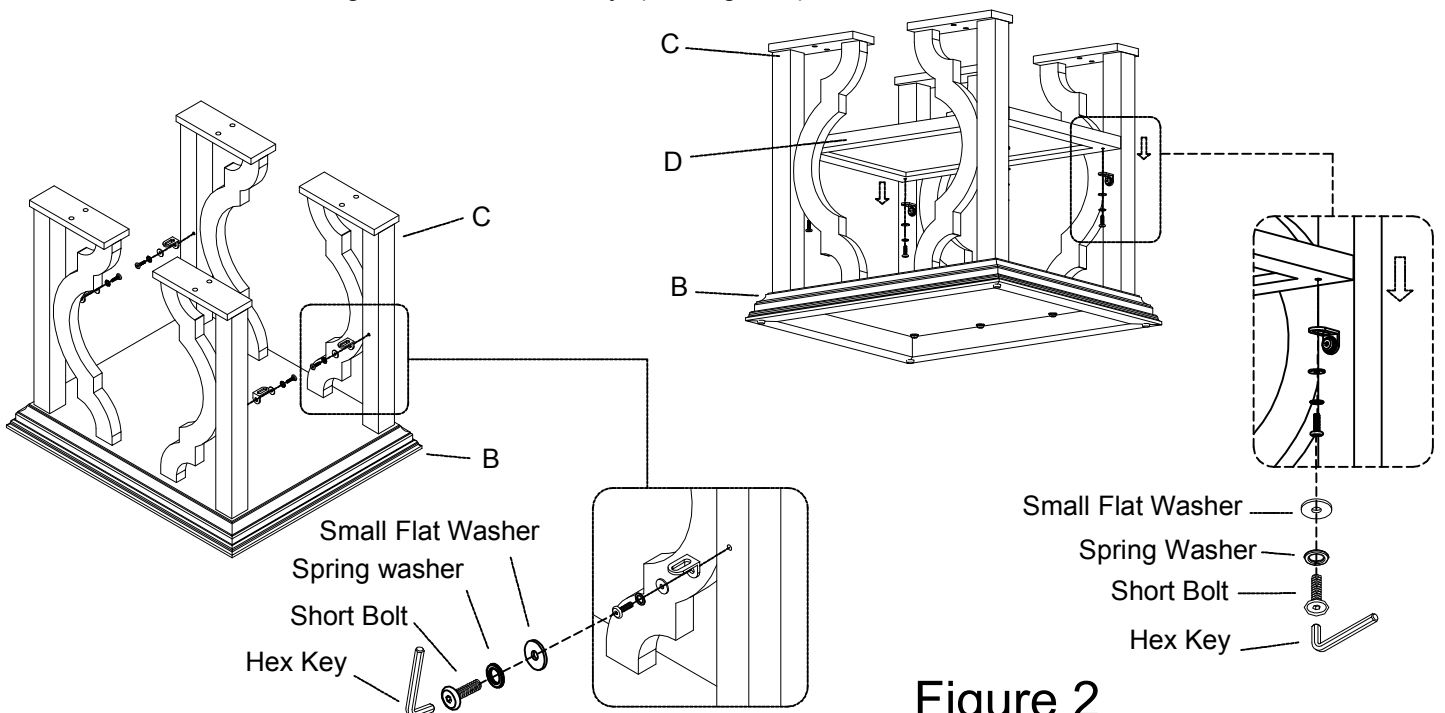
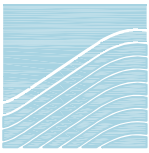
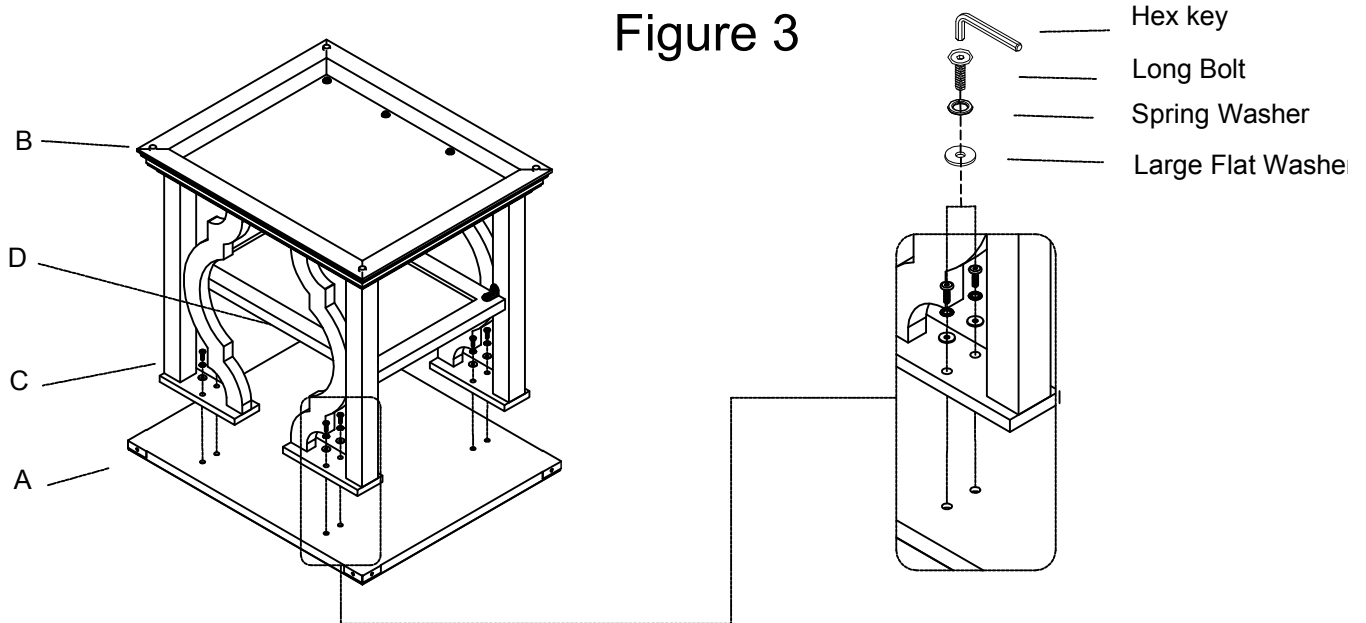


Figure 2



STEP 3

Carefully place the Table Top (A) upside down on a soft surface. Attach the assembled base to the Table Top (A) using the Long Bolt, Spring Washer, Large Flat Washer and fully tighten all with the Hex Key. (See Figure 3)



STEP 4

Adjust the levelers on the base of the table until the furniture is level. (See Figure 4)

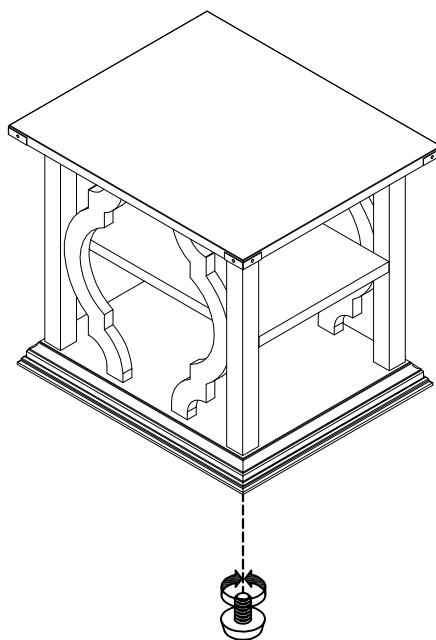


Figure 4