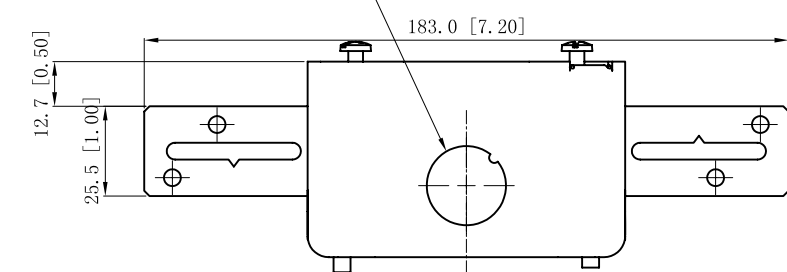
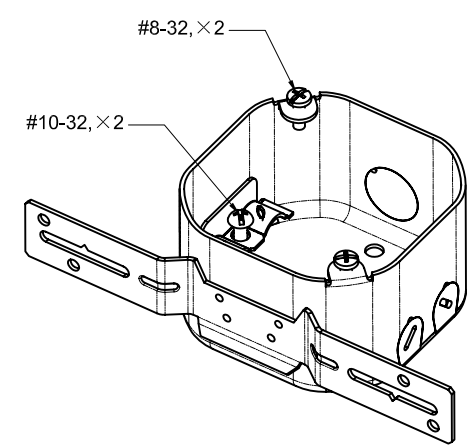
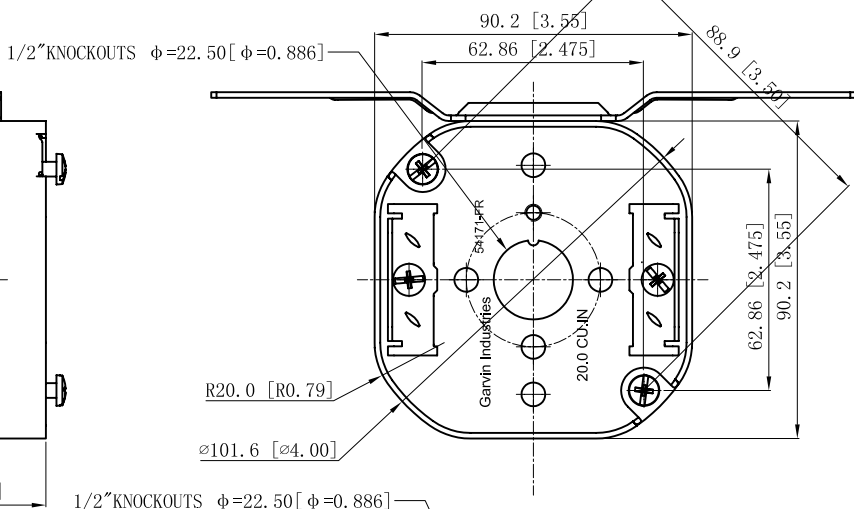
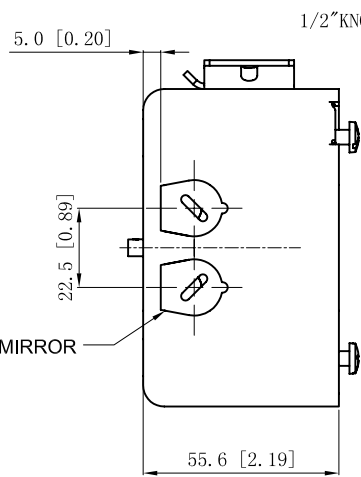
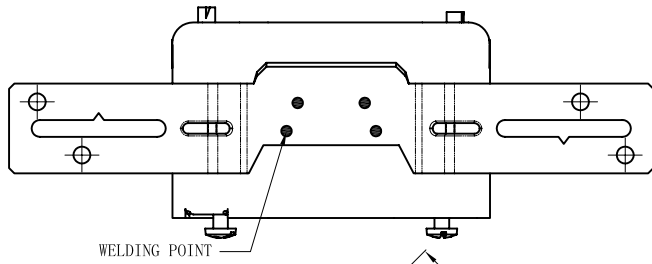


SIDES	BOTTOM
1/2"KNOCKOUTS	1/2"KNOCKOUTS
4KNOCKOUTS	
2 PCS 8-32×1/2 Screws Installed	
2 PCS 10-32×1 Screws Installed	
Material:Steel-0.0625"-G60 Galvanized	



This data sheet is for reference only.GARVIN INDUSTRIES reserves the right to make changes to the design without prior notice.

DESCRIPTION
TRADE REFERENCE TERMS

STANDARD PACKING
25 PCS

TITLE		54171-FR		REV
SIZE		DWG NO.		DATA SHEET
A4				