

Pedestal-Mounted Round Eye/Face Wash Bowl

FEATURES:

- (2) yellow plastic spray outlets with integral flow control and flip-top dust caps
- Round stainless steel bowl
- Stainless steel push handle activation
- Chrome plated 1/2" NPT female brass valve
- Chrome plated 1/2" NPT female inlet
- Chrome plated brass in-line strainer
- 4.5 GPM (17.0 L/min) @ 30 PSI flow rate
- 1-1/4" IPS galvanized steel piping pedestal
- DuraJade™ powder coat finish on pedestal for durability & enhanced corrosion resistance
- Galvanized steel cast floor flange with 17/32" diameter mounting holes on 9 in. diameter bolt circle, spaced 120° apart
- Universal emergency sign included

OPTIONS:

- FPV: Freeze Protection Valve
- HFO: Hand/Foot Operation
- HS: Hand held drench hose
- PT: P-Trap
- SPV: Scald Protection Valve
- SS: All Stainless Steel Components
- SSBV2: 1/2" Stainless Steel Ball Valve

ADD-ONS:

- SE-TW-EW: Thermostatic Mixing Valve

STANDARDS:

- ANSI/ISEA Z358.1 certified

WARRANTY:

Visit www.speakman.com for full product warranty information

- 3 Year Limited Warranty (commercial)



Information continues on next page

**ENSURE YOU ARE ANSI/ISEA Z358.1
Tepid Water Compliant**
by incorporating Speakman's 9.7 GPM
Thermostatic Mixing Valve.



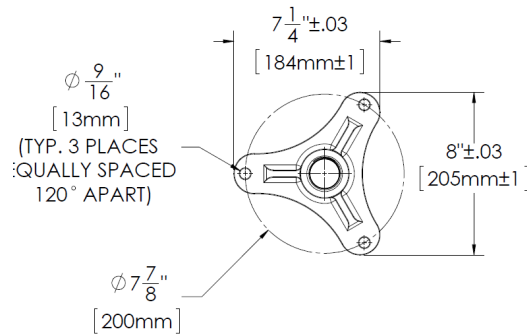
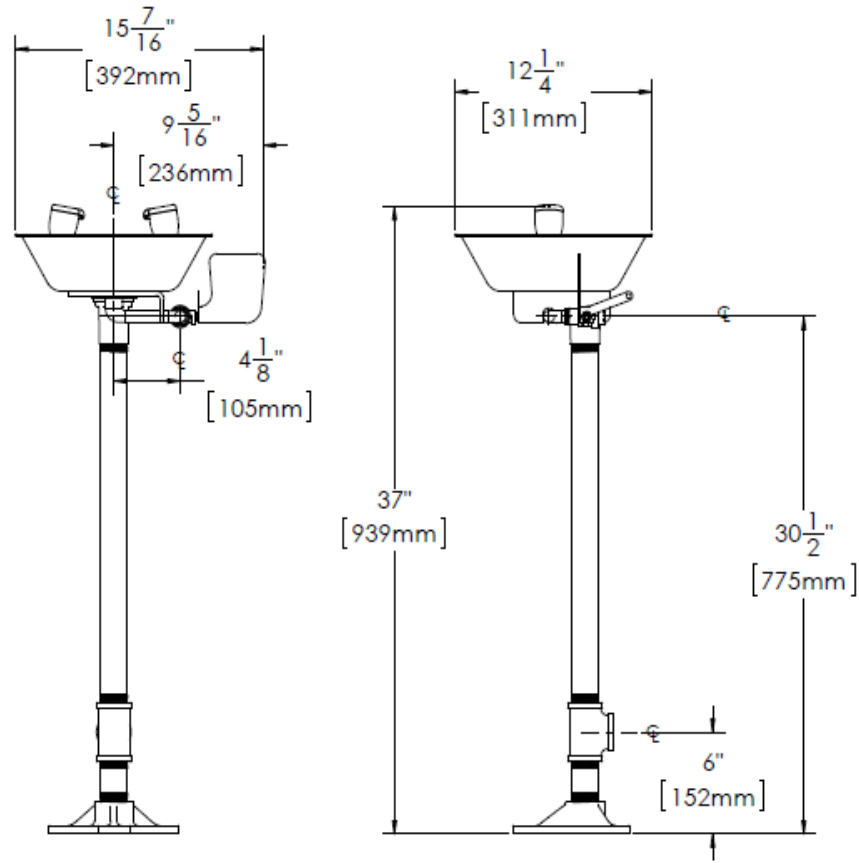
- **STW-370:** Thermostatic Mixing Valve (valve only)
- **SE-TW-EW:** Thermostatic Mixing Valve with necessary connections for eye and eye/face wash products

All dimensions are in inches (millimeters) unless otherwise specified and are subject to change without notice.

Architect/Engineer Approval Space:

P: 800-537-2107
F: 800-977-2747
W: WWW.SPEAKMAN.COM
R: 02-NOVEMBER 2019

Pedestal-Mounted Round Eye/Face Wash Bowl



FLOOR FLANGE DETAIL

All dimensions are in inches (millimeters) unless otherwise specified and are subject to change without notice.

Architect/Engineer Approval Space:

P: 800-537-2107
 F: 800-977-2747
 W: WWW.SPEAKMAN.COM
 R: 02-NOVEMBER 2019