

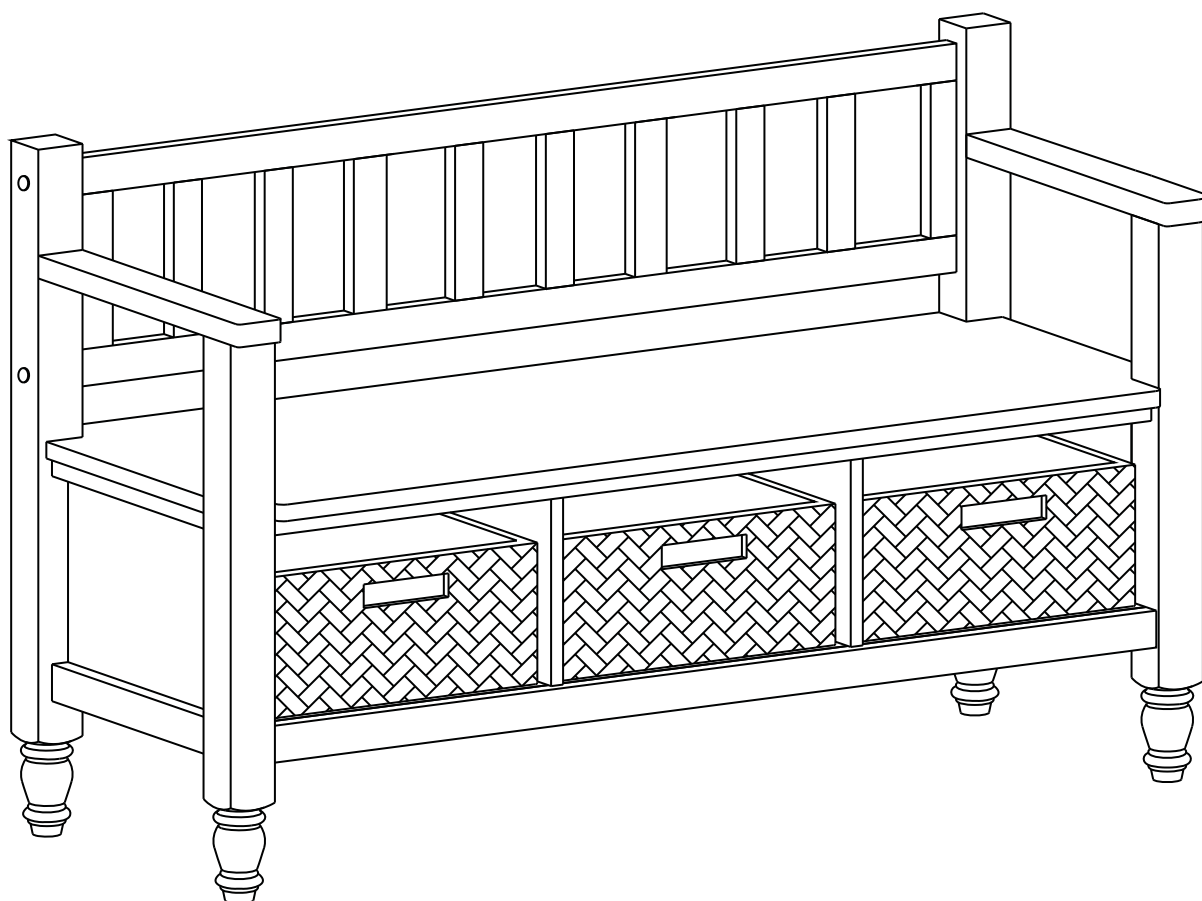
SIMPLI™
HOME

Wyndent Hall™
HOME DECOR
brooklyn + max™

DAKOTA / BATHURST / BRADWICK

ENTRYWAY STORAGE BENCH

MODEL # INT-AXCDKT-BNCH-EXE





DO NOT RETURN

**FOR REPLACEMENT PARTS OR OTHER INQUIRIES
PLEASE CONTACT US AT:**

[simpli-home.com/customer-support](https://www.simpli-home.com/customer-support)

**PLEASE ENSURE TO HAVE THE MODEL #
FROM THE PACKAGING OR
INSTRUCTION BOOKLET**

IMPORTANT : Please read this manual carefully before beginning assembly of this product. Keep this manual for future reference.

SAFETY INFORMATION

Identify all the parts and hardware. Do not discard of the packaging until you have checked that you have all of the parts and hardware required. Hardware package may have spare parts.

WARNING: This item contains small parts which can be swallowed by children and pets. Keep children and pets away during assembly. To avoid danger of suffocation, always keep plastic bags away from children and pets.

We recommend that you assemble this unit on a carpeted floor to avoid scratches. We do not recommend the use of power tools for assembly as this could damage the unit. Only use manual tools.

May require 2 people for ease of assembly.

CARE and MAINTENANCE

To clean, use a soft or slightly damp cloth, then wipe with a clean, dry cloth. Dust with soft dry cloth.

Do not use ammonia-based cleaning products, as they will damage the finish.

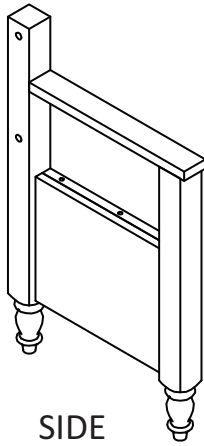
Do not leave liquids or damp cloths on this furniture.

To avoid dulling of the finish, do not place furniture in direct sunlight.

Please inspect and tighten all screws or bolts on a regular basis to ensure proper performance and safety of your item.

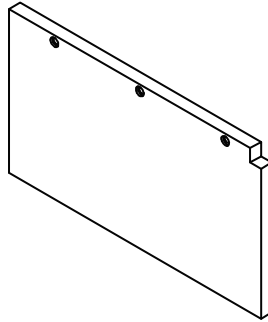
PARTS DESCRIPTION

A



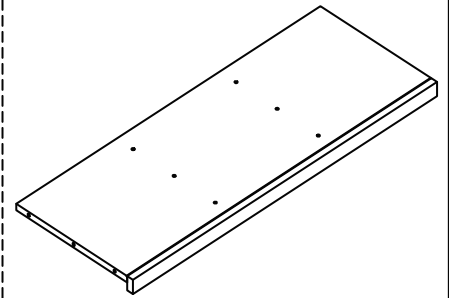
SIDE
QTY 1 PAIR

B



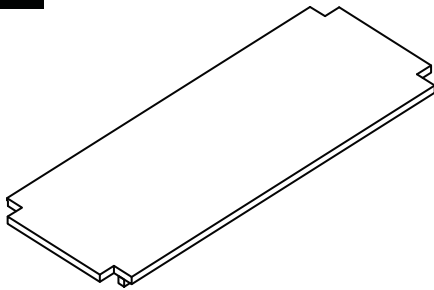
DIVIDER
QTY 1 PAIR

C



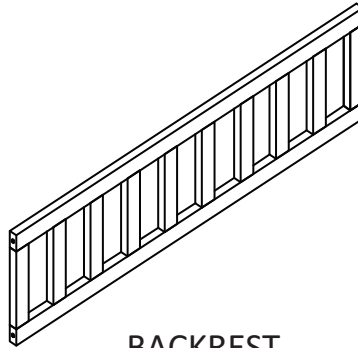
BOTTOM SHELF
QTY 1

D



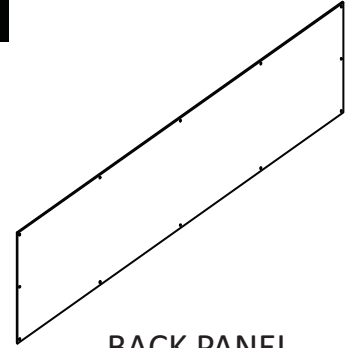
SEAT
QTY 1

E



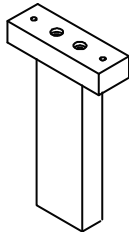
BACKREST
QTY 1

F



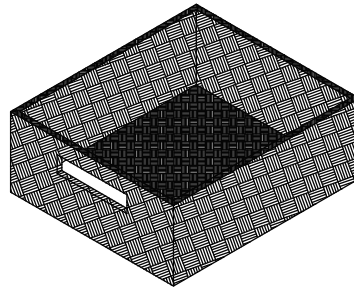
BACK PANEL
QTY 1

G



BOTTOM SUPPORT LEG
QTY 1

H

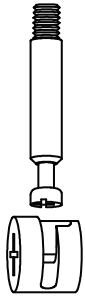


BASKET
QTY 3

NEED HELP? For help with assembly or if you are missing a part,
Please call customer service at 1-866-518-0120 ext. 262 (9 am to 5 pm EST)

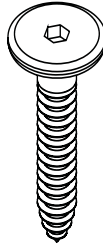
HARDWARE DESCRIPTION

1



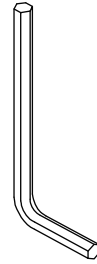
CAM LOCK PIN
CAM LOCK
QTY 6 SETS

2



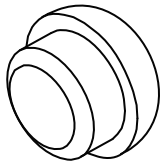
ALLEN KEY SCREW
M6 x 30 mm
QTY 18

3



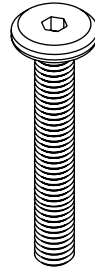
ALLEN KEY
QTY 1

4



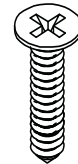
WOOD BOLT CAP
QTY 4

5



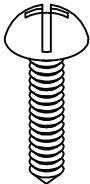
ALLEN KEY BOLT
M6 x 50 mm
QTY 4

6

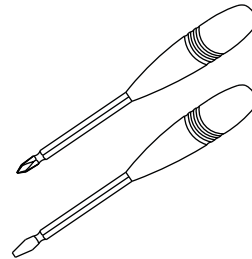


PHILLIPS SCREW
M4 X 30 mm
QTY 2

7

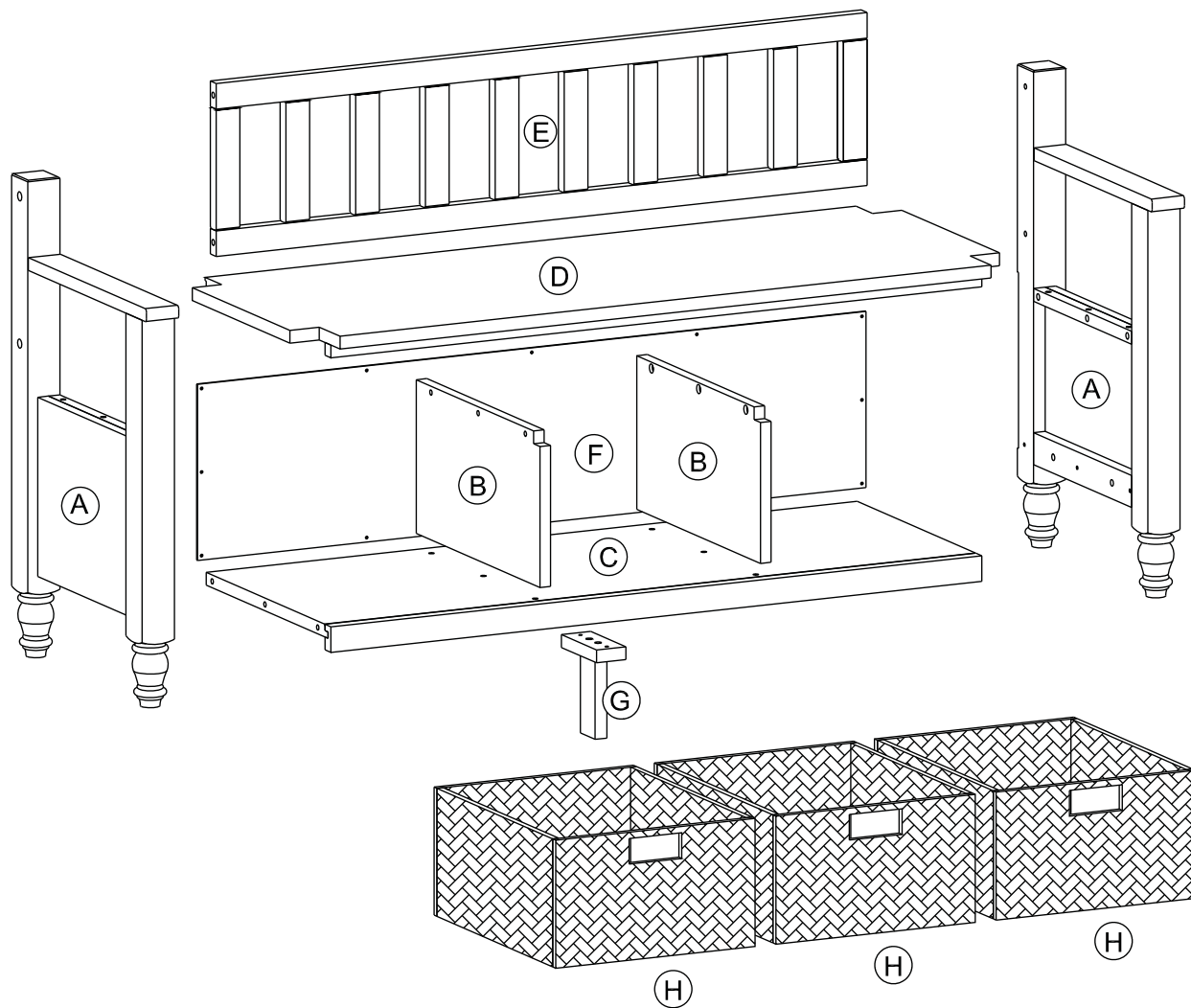


PHILLIPS SCREW
ROUND HEAD
M4 X 15 mm
QTY 12

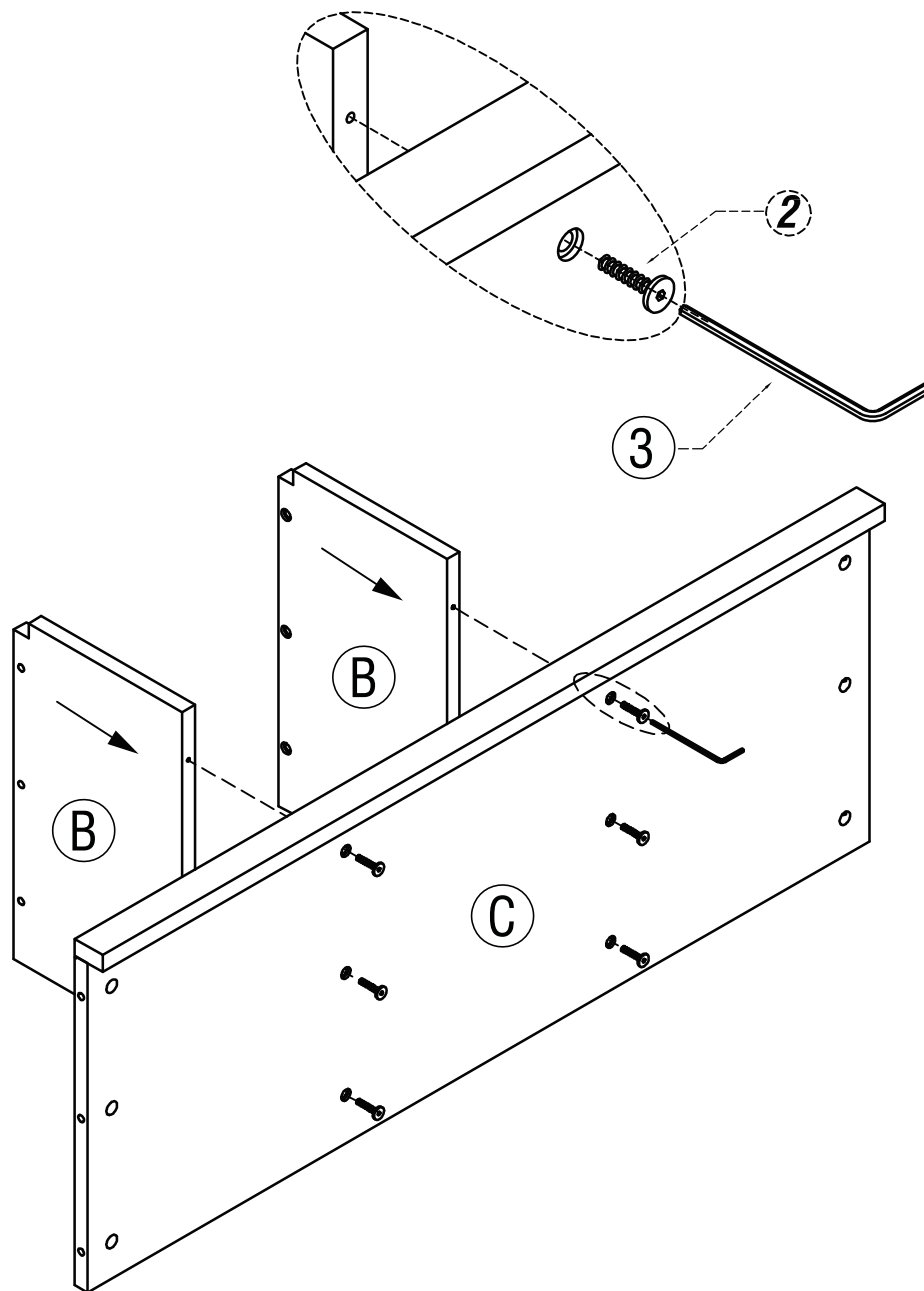


Required -
Flathead screwdriver
Phillips screwdriver
Not Included

NEED HELP? For help with assembly or if you are missing a part,
Please call customer service at 1-866-518-0120 ext. 262 (9 am to 5 pm EST)

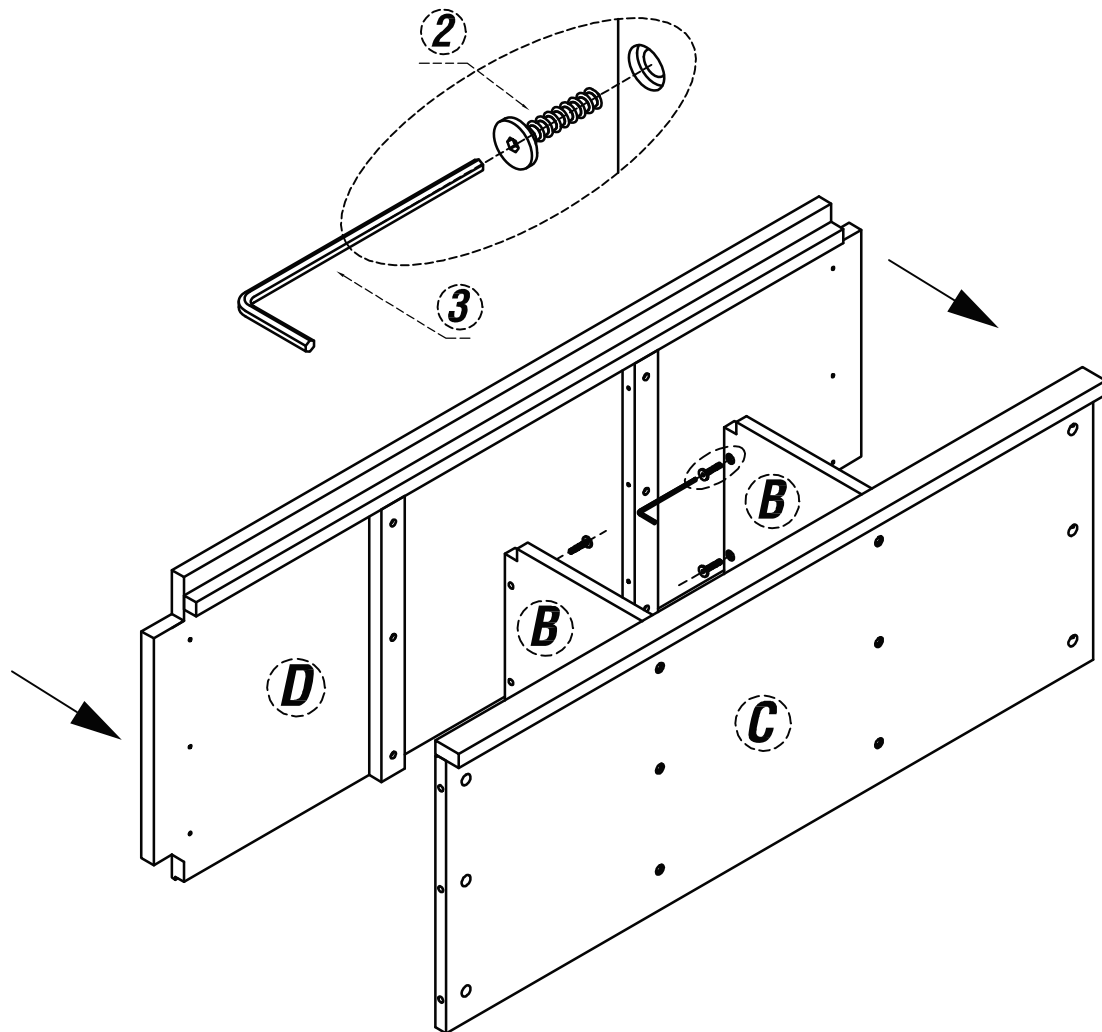


STEP 1



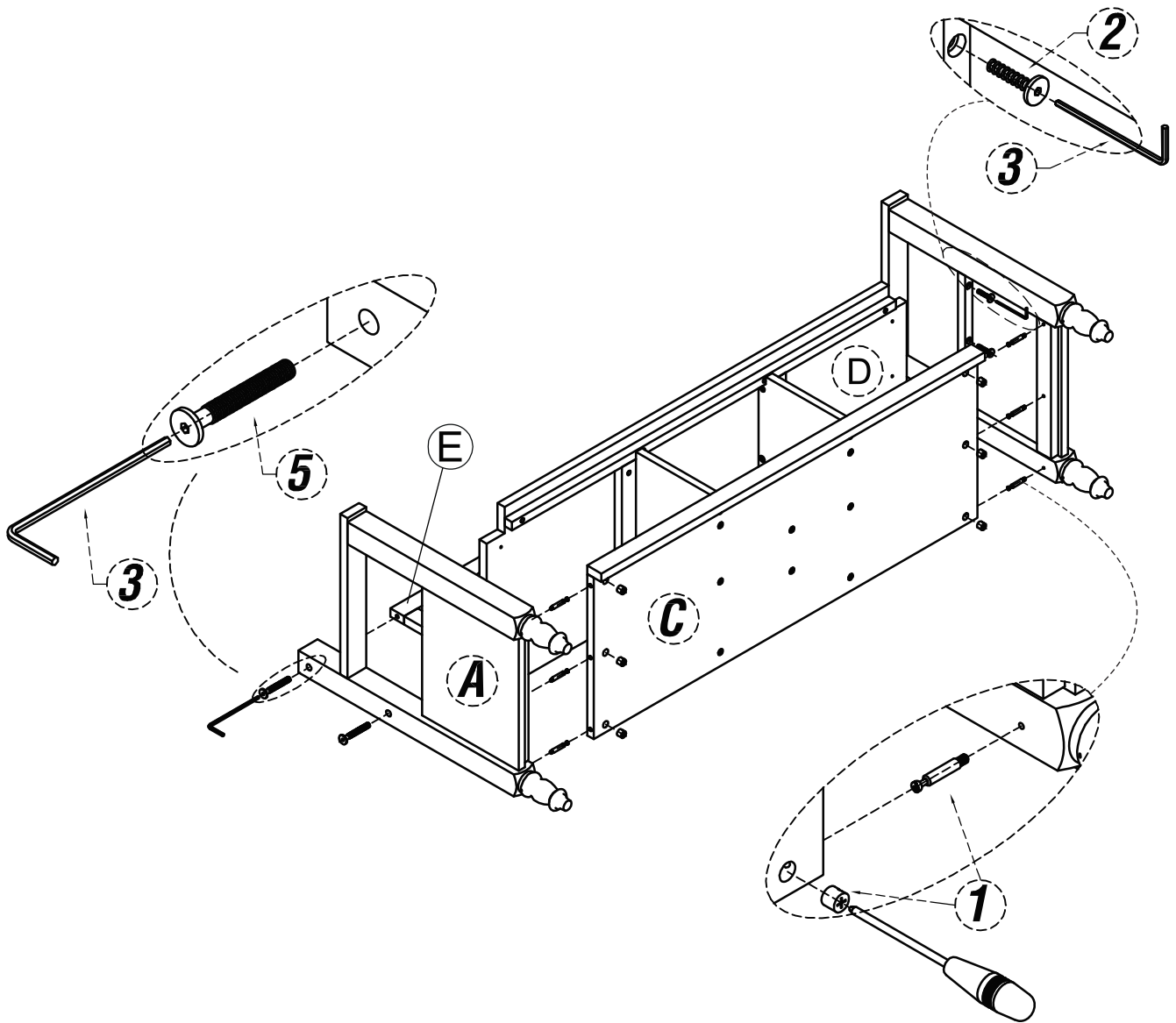
1. Insert 6 Allen Key Screws (2) into pre-drilled holes through centre of Bottom Shelf (C) into Dividers (B).
2. Use Allen Key (3) to snugly tighten. Do not over-tighten.

STEP 2



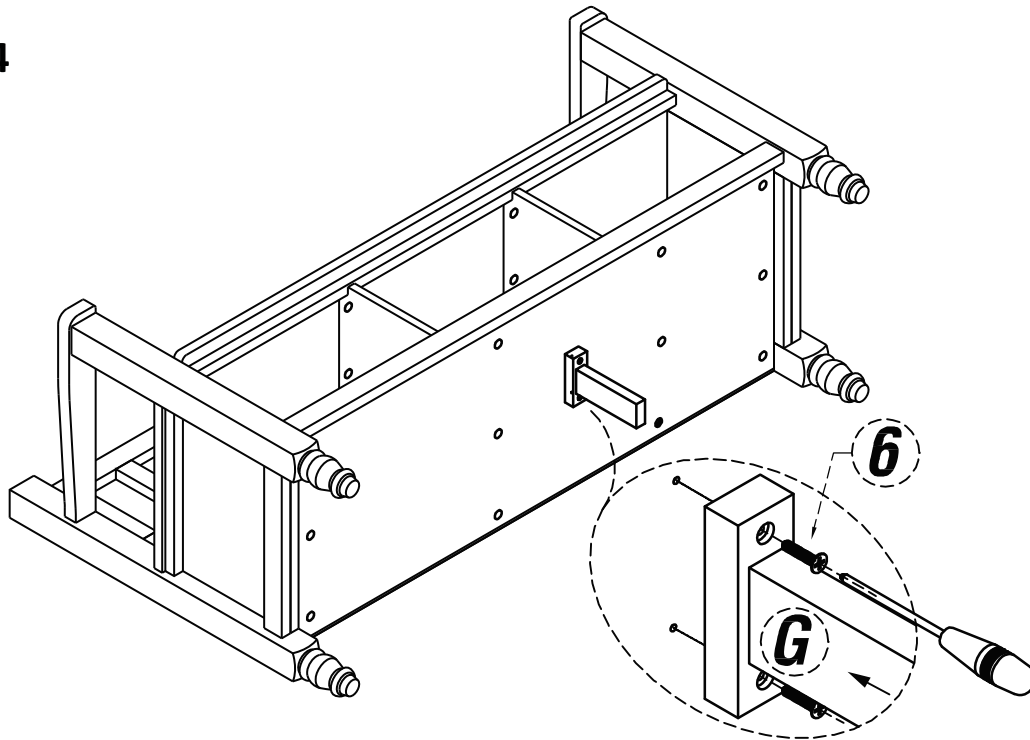
1. Attach Seat (D) to Dividers (B) using 6 Allen Key Screws (2) (3 Screws on each Divider).
2. Use Allen Key (3) to tighten Screws. Do not over-tighten.

STEP 3



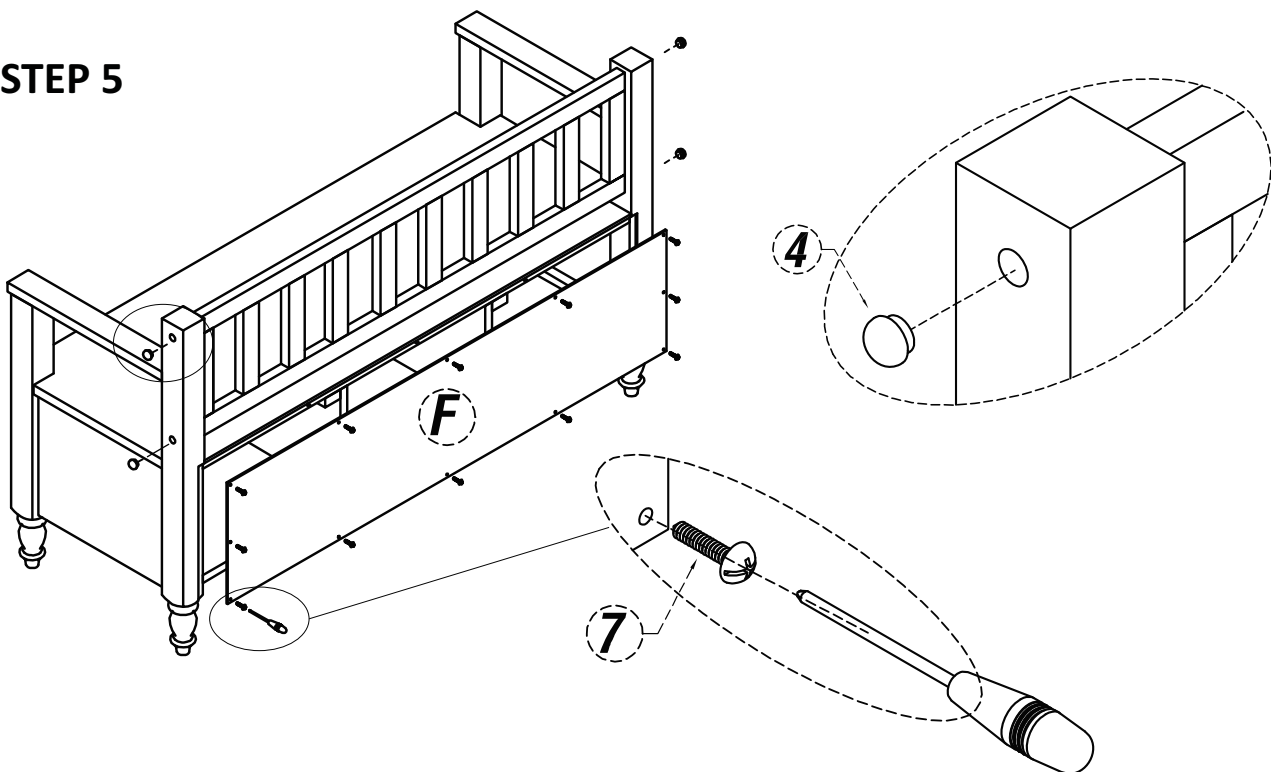
1. Attach 6 Cam Lock Pins (1) to 2 Sides (B) using guide holes (3 Pins on each Side).
2. Align Cam Lock Pins on Side (A) with pre-drilled holes on Bottom Shelf (C).
3. Insert 6 Cam Lock (1) into pre-drilled holes on Bottom Shelf (C).
4. Using a flathead screwdriver tighten Cam Locks into Pins.
5. Attach Seat (D) to Sides (A) using 6 Allen Key Screws (2) (3 Screws on each Side).
6. Attach Backrest (E) to assembled side of bench arm using 4 Allen Key Bolts (5) (2 Bolts on each Side).
7. Use Allen Key (3) to tighten Bolts and Screws. Do not over-tighten.

STEP 4



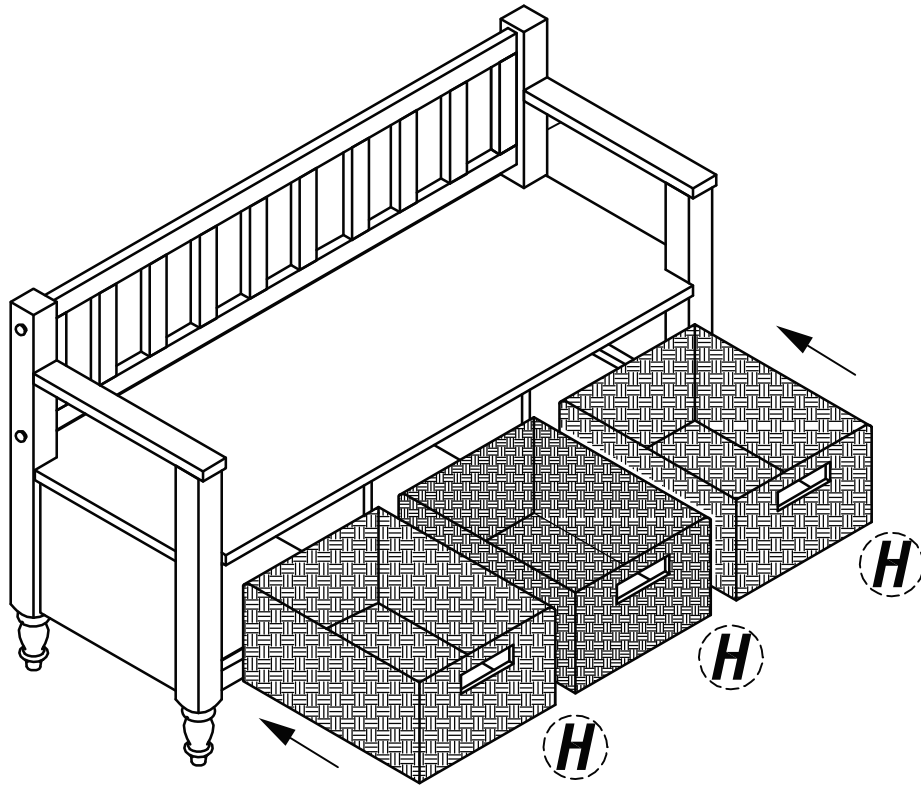
3. Attach Bottom Support Leg (G) to Bottom Shelf (C) using 2 Phillips Screws (6) into pre-drilled guide holes.
2. Use Phillips screwdriver to tighten Screws. Do not over-tighten.

STEP 5



1. Attach Back (F) to back frame using 12 Phillips Screw Round Heads (7).
2. Use Phillips screwdriver to snugly tighten screws.
3. Insert 4 Wood Bolt Caps (4) into exposed bolt holes on side of bench.

STEP 6



1. Insert Baskets (H) into spaces on assembled bench.



WARRANTY

Thank you for purchasing a **Simpli Home – Wyndenhall – Brooklyn + Max** product. These products have been made to demanding, high-quality standards and are guaranteed for domestic use against manufacturing faults for a period of 12 months from the date of purchase. This warranty does not affect your statutory rights.

In case of any malfunction of your product (failure, missing parts, etc.) please contact us at our toll free service line at 1-866-518-0120 ext. 262 from 9 am to 5 pm, Monday to Friday, Eastern Standard Time or by email at simpli-home.com/customer-support.

We reserve the right to repair or replace the defective product, at its discretion.

This product is guaranteed for 12 months if used for normal purposes. Any warranty is invalid if the product has been overloaded or subject to neglect, improper use or an attempted repair by other than an authorized agent. Heavy-duty or daily professional/commercial usage are not guaranteed.

Due to continuous product improvement, we reserve the right to change the product specifications without prior notice.

PLEASE NOTE: This item is hand-crafted and hand-finished with utmost care. As such, variations and imperfections should be expected and should be welcomed as the natural beauty of the wood.



Question, problems, missing parts?

Before returning please email Customer Support at
simpli-home.com/customer-support

or call

Customer Service at 1-866-518-0120 ext. 262
Monday to Friday between 9 am – 5 pm EST

For more information visit us on our website
www.simpli-home.com

Like us on facebook
www.facebook.com/simplihomefurnishings

SIMPLI[™]
H O M E

WyndentHall[™]
HOME DECOR
brooklyn + max[™]

**ENTER
TO WIN**

Upload an image of our furniture in your home with a short review to our facebook page and have a chance to

**Win your choice of any one of
Simpli Home furniture pieces
Free!!!**

www.facebook.com/simplihomefurnishings

(draws monthly – shipping included)

(vanities not included)

