

TOTO®

MW6142034CUFG

Carlyle® II 1G® / WASHLET®+ C100 One-Piece Toilet - 1.0 GPF

FEATURES

- Concealed supply connection for seamless installation
- Ultra high-efficiency Tornado Flush®(1.0GPF/3.8LPF)
- Skirted design
- CeFiONtect® glaze prevents debris from sticking to ceramic surfaces for easy cleaning
- Universal Height
- Elongated front bowl
- Decorative one-piece design with high-profile tank
- 12" Rough-in, less supply
- Optional 10"; 14" Uni-fit rough-in
- Chrome trip lever
- See Spec sheet SW2034T20 for Washlet features

MODELS

- CST614CUFGT20
With CeFiONtect ceramic glaze

REQUIRED WASHLET+

- SW2034T20 Washlet®+ C100
Fits TOTO WASHLET+ toilet bowl models only

COLORS/FINISHES

- Standard
#01 Cotton

OPTIONAL ROUGH-IN

- 10" rough-in TSU01W.10R
- 14" rough-in TSU01W.14R

PRODUCT SPECIFICATION

The one-piece ultra high-efficiency Tornado Flush toilet shall be 1.0GPF/3.8LPF. Universal Height Toilet with CeFiONtect glaze finish. Toilet shall have high-profile tank, elongated front bowl and chrome trip lever. Toilet shall be **TOTO Model CST614CUFGT20#01**.

See TOTO Specification sheet **SW2034T20** for details on required Washlet.



 **CeFiONtect** **washLET+**
 **Tornado Flush**

CODES/STANDARDS

- Meets and exceeds ASME A112.19.2/CSA B45.1
- Certifications: IAPMO(cUPC), EPA WaterSense, State of Massachusetts, City of Los Angeles, and others
- Code compliance: UPC, IPC, NSPC, NPC Canada, and others
- Legislative Compliance: California AB715, California Green Building Code, City of Los Angeles Water Efficiency Ordinance
- ADA compliant (when installed with trip lever located on the approach side)



MW6142034CUFG

Carlyle® II 1G® / Washlet®+ C100 One-Piece Toilet - 1.0 GPF

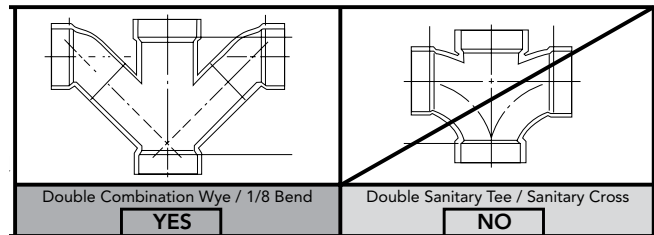
SPECIFICATIONS

- Water Use 1.0 GPF/3.8LPF
- Flush System Tornado Flush®
- Min. Water Pressure 8 psi (flowing)
- Water Surface 6-7/8" x 9-3/4"
- Trap Diameter 2-1/8"
- Rough-in 12"
- Trap Seal 2-1/8"
- Warranty One Year Limited Warranty
- Material Vitreous china
- Shipping Weight CST614CUFGT20 110lbs
SW2034T20 16.0lbs.
- Shipping Dimensions CST614CUFGT20
32" L x 20" W x 17-3/4" H¹ x
28-3/4" H²
SW2034T20
23 1/2" X 20 1/2" X 9"
- See Spec sheet **SW2034T20** for Washlet details

INSTALLATION NOTES

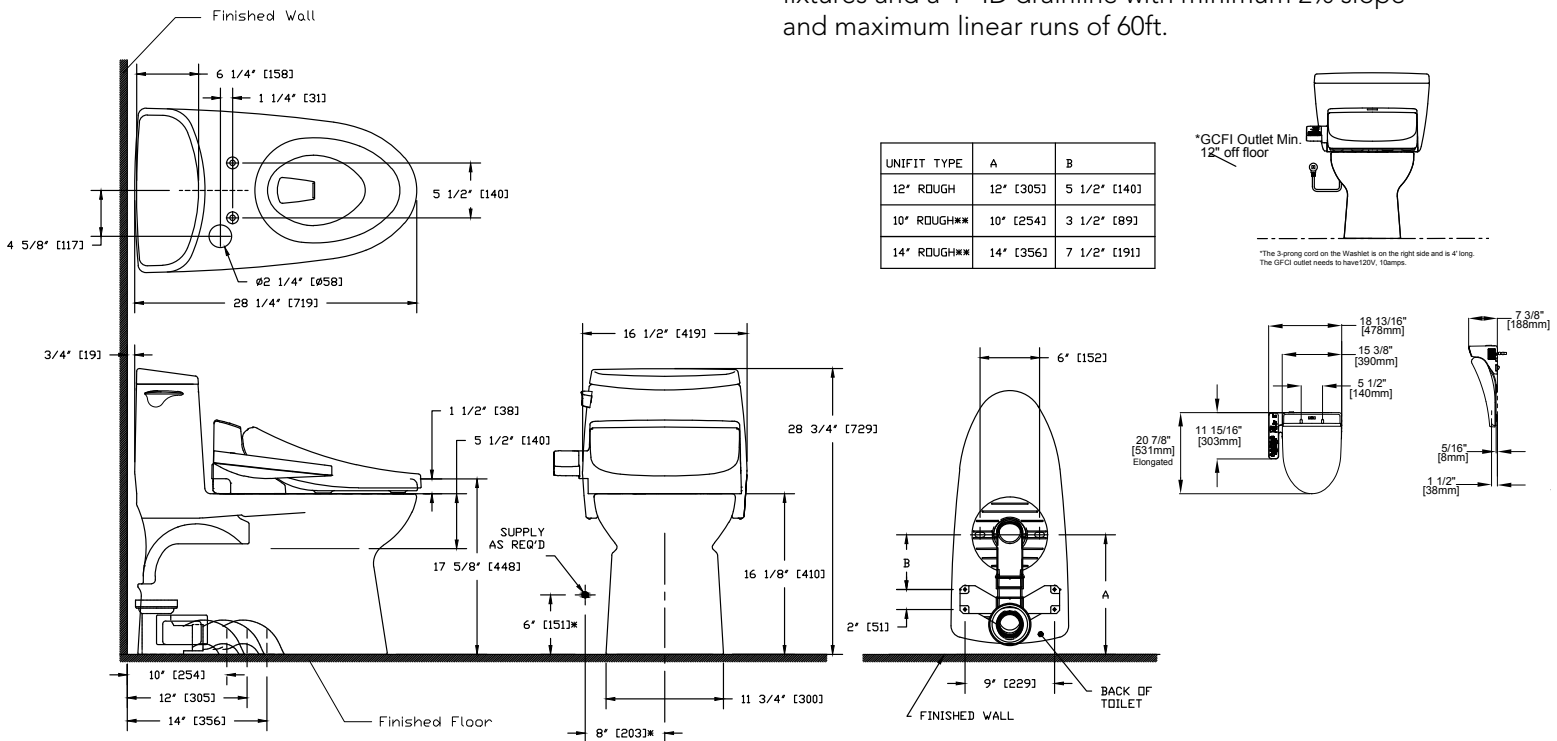
Back-to-Back Toilet Installations:

TOTO recommends the use of a nationally listed, double sanitary tee-wye only, in vertical waste stacks, in accordance with the stipulations noted in the majority of nationally recognized plumbing codes.

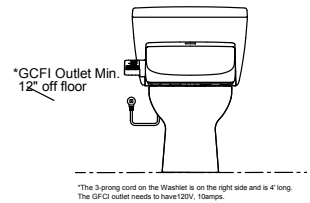


To maintain adequate wall gap between the back of the tank and wall, mount the floor flange at a nominal 12" rough-in distance.

Ultra-low high efficiency toilets require a system with adequate supplemental flows from other water usage fixtures and a 4" ID drainline with minimum 2% slope and maximum linear runs of 60ft.



UNIFIT TYPE	A	B
12" RDUGH	12" [305]	5 1/2" [140]
10" RDUGH**	10" [254]	3 1/2" [89]
14" RDUGH**	14" [356]	7 1/2" [191]



RD-XXXXX, MW6142034CUFG, V.01

*SUGGESTED DIMENSIONS
**SOLD SEPARATELY

TOTO

These dimensions and specifications are subject to change without notice