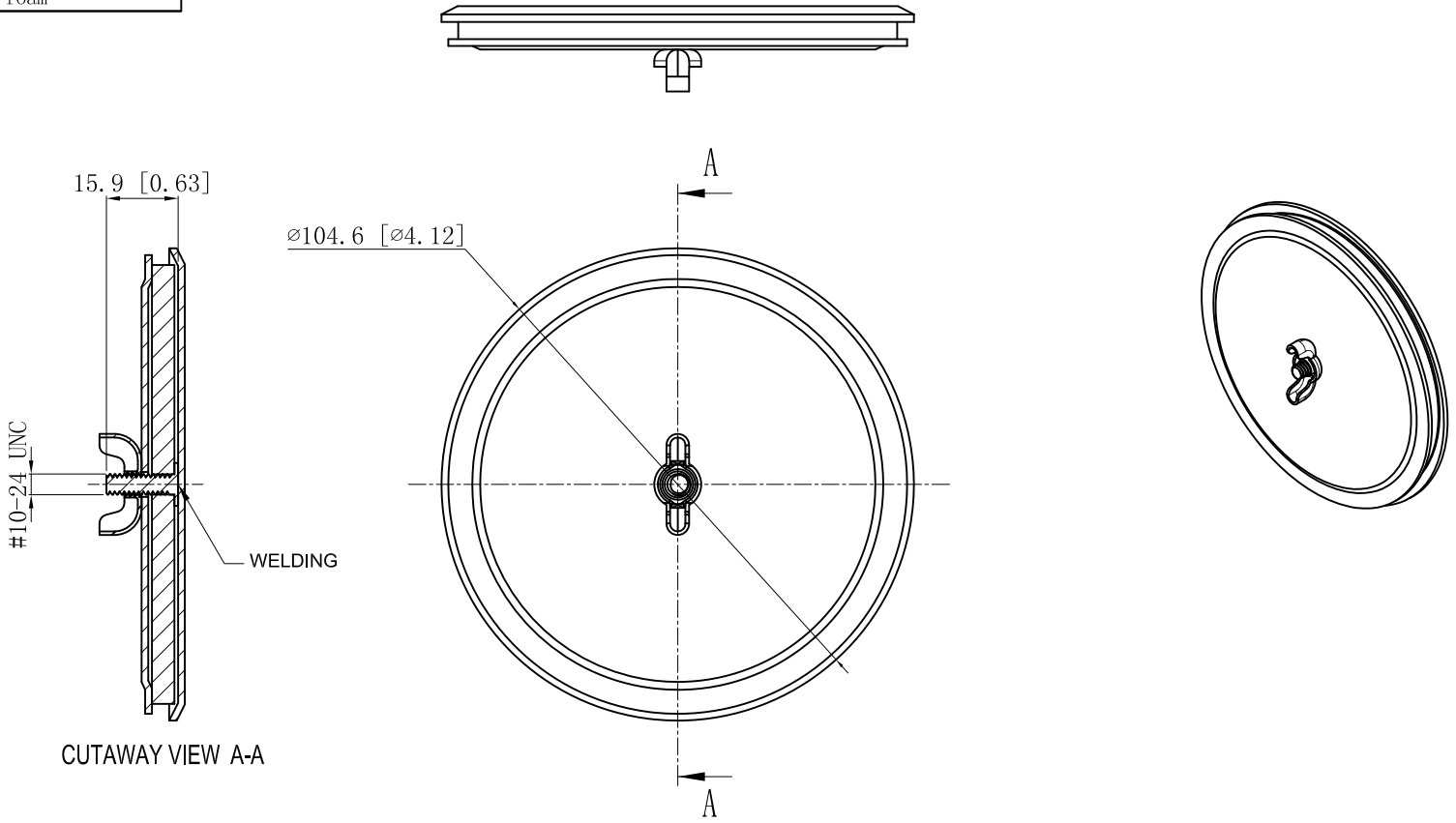


|                                       |        |
|---------------------------------------|--------|
| SIDES                                 | BOTTOM |
|                                       |        |
|                                       |        |
|                                       |        |
| Material: 0.059"-SS316                |        |
| Gasket Material: PVC Closed-cell foam |        |



This data sheet is for reference only .GARVIN INDUSTRIES reserves the right to make changes to the design without prior notice.

|                       |
|-----------------------|
| DESCRIPTION           |
|                       |
|                       |
| TRADE REFERENCE TERMS |
|                       |

|                  |
|------------------|
| STANDARD PACKING |
| 5 PCS            |

|                          |                         |          |
|--------------------------|-------------------------|----------|
| <b>GARVIN INDUSTRIES</b> |                         |          |
| TITLE<br>KNOCKOUT SEALS  |                         |          |
| SIZE<br>A4               | DWG NO.<br>KOS-300-0TSS | REV<br>A |
| DATA SHEET               |                         |          |