




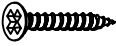







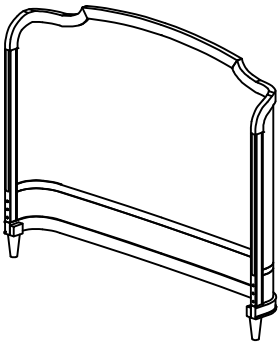
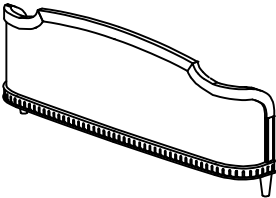
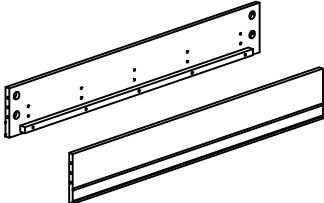
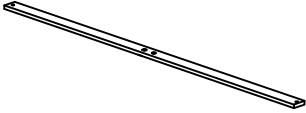

ASSEMBLY INSTRUCTION

ITEM :

5180-90867; 5280-90867 6/6 SHELTER BED HEADBOARD
5180-90868; 5280-90868 6/6 SHELTER BED FOOTBOARD
5180-90869; 5280-90869 6/6 SHELTER BED RAILS

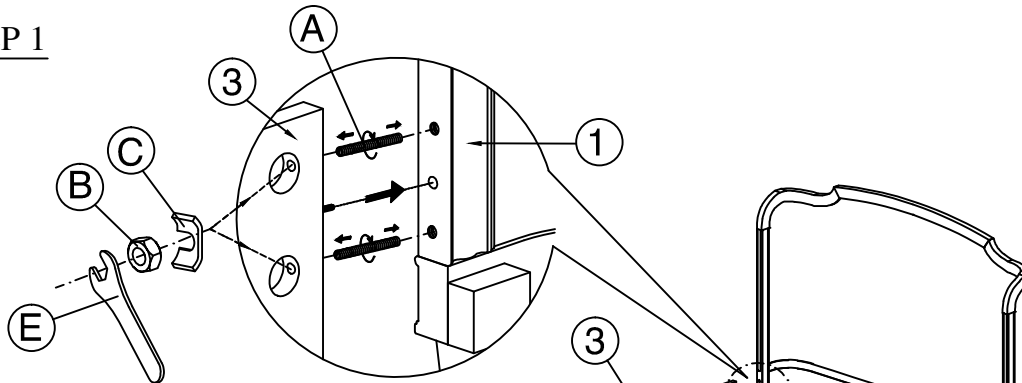
Thank you for purchasing this quality product. Be sure to unpack material carefully for small parts which may have come loose during shipment. Identify and count all parts and compare with the Part-List below. Read all instruction and study the drawing carefully before starting the assembly process:

HARDWARE PART				
A		THREADED ROD	Ø5/16" X 3"	8 Pcs
B		HEX NUT	Ø 5/16"	8 Pcs
C		CURVED SLOTTED WASHER	Ø 5/16"	8 Pcs
D		WOOD SCREW	Ø 8x35mm	10Pcs
E		WRENCH	12mm	1 Pc
F		HEX HEAD BOLT	Ø 1/4"x1-1/2"	10Pcs
G		LOCK WASHER	Ø 1/4"mm	10Pcs
H		FLAT WASHER	Ø 1/4"mm	10Pcs
I		WRENCH	10mm	1 Pc

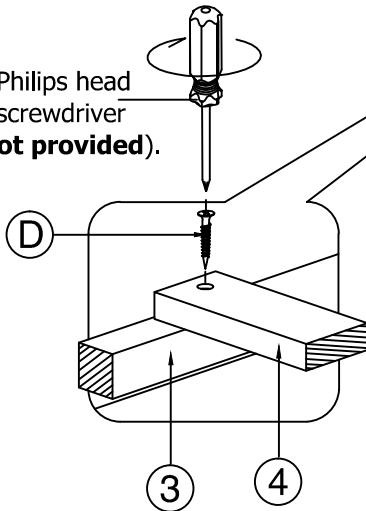
<p>1</p>  <p>Headboard [1 Pc]</p>	<p>2</p>  <p>Footboard [1 Pc]</p>	<p>3</p>  <p>Side Rail [2 Pcs]</p>
<p>4</p>  <p>Slats [5 Pcs]</p>	<p>5</p>  <p>Supporting Block [5 Set]</p>	

MADE IN VIETNAM

STEP 1

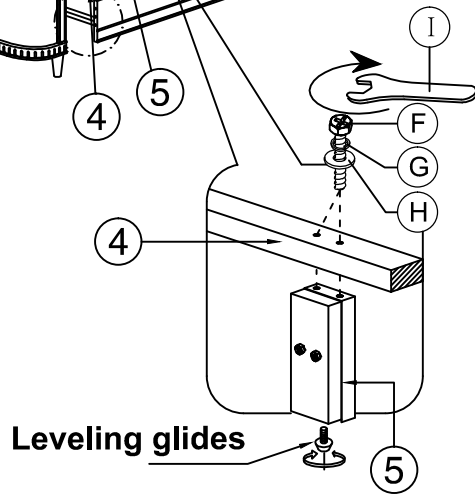


Philips head screwdriver (not provided).

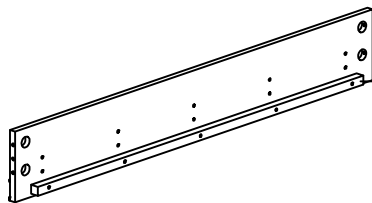


STEP 3

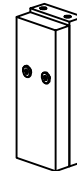
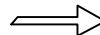
STEP 2



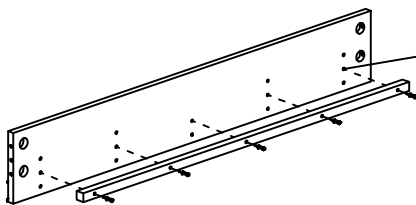
Leveling glides



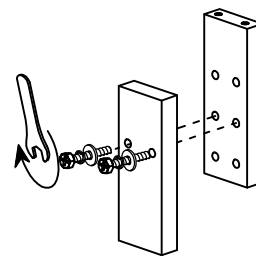
Lower level



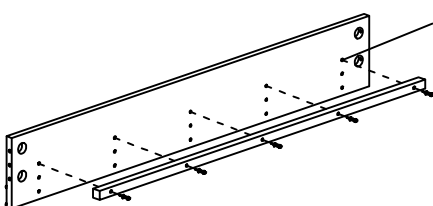
Middle level



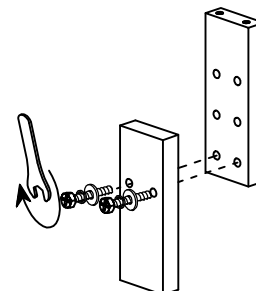
Middle level



Higher level



Higher level



Higher level

To adjust the Side Rail, remove the bolts from on the wooden rail.