

## Features

- A single handle controls both on/off activation and temperature setting
- 7-13/16" (198 mm) stationary spout reach
- 8.0 gpm (30.3 lpm) maximum bath faucet flow rate at 45 psi (3.1 bar)
- 1.75 gpm (6.6 lpm) maximum handshower flow rate at 45 psi (3.1 bar)
- Coordinates with other products in the Avid collection
- Flexible supply lines for simplified installation.

## Material

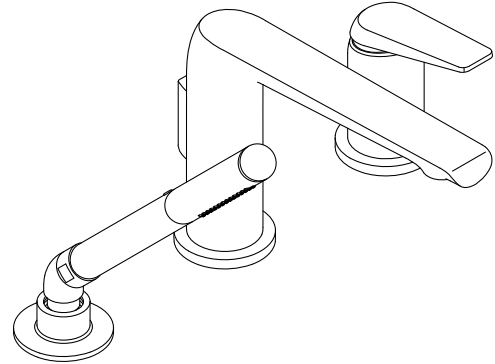
- Premium metal construction for durability and reliability
- KOHLER finishes resist corrosion and tarnishing

## Installation

- Deck-mount

## Recommended Products/Accessories

- K-97494 18" towel bar
- K-97495 24" towel bar
- K-97496 24" double towel bar
- K-97498 towel arm
- K-97499 robe hook
- K-97500 double robe hook
- K-97502 Vertical toilet paper holder
- K-97503 Covered toilet paper holder



## Codes/Standards


ASME A112.18.1/CSA B125.1  
DOE - Energy Policy Act 1992  
EPA WaterSense®  
California Energy Commission (CEC)  
NOM Standards  
NOM 008-CONAGUA

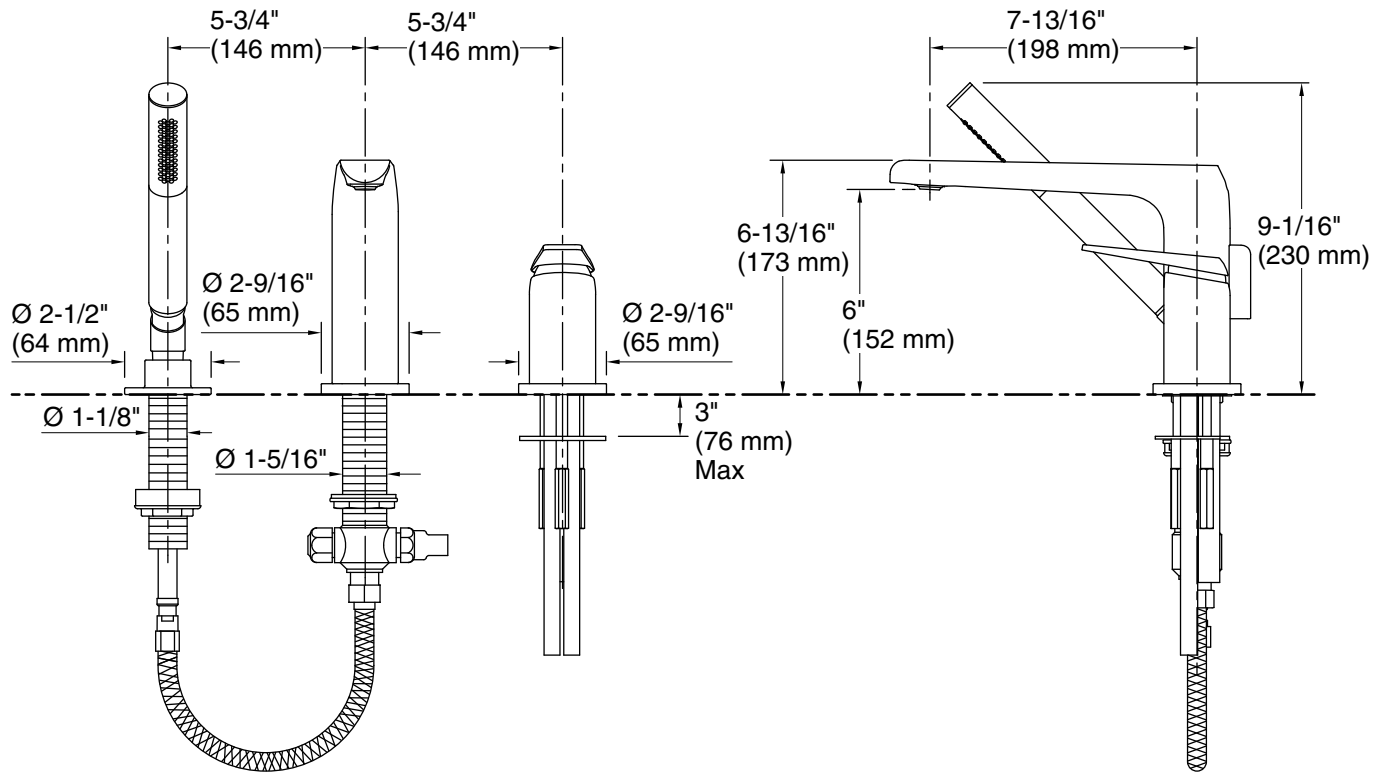
## KOHLER® Faucet Lifetime Limited Warranty

See website for detailed warranty information.

## Available Colors/Finishes

*Color tiles intended for reference only.*

Color	Code	Description
	CP	Polished Chrome
	BN	Vibrant® Brushed Nickel
	BL	Matte Black
	2MB	Vibrant® Brushed Moderne Brass



## Technical Information

All product dimensions are nominal.

Faucet flow rate: 8 gal/min (30.3 l/min)

### Spout:

Spout reach: 7-13/16" (198 mm)

Handshower rated max flow: 1.75 gal/min (6.6 l/min)

## Notes

Install this product according to the installation instructions.