
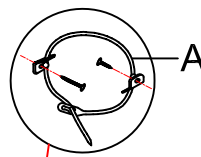


ASSEMBLY INSTRUCTION

ITEM: 5070-10445 BOOKCASE

NO.	DRAWING	DESCRIPTION	SIZE	Q'TY
A		Anti - Tip Kit		1PC

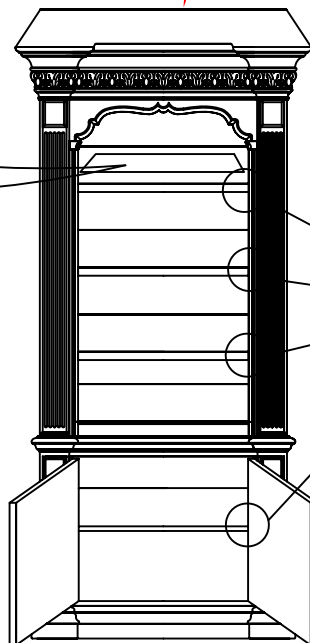
Tipping Restraint



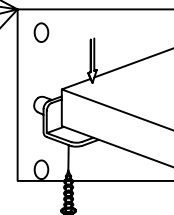
Anti-tip kit is included for use. We recommend installing for safety reason

Step 1

The adjustable glass shelf is packed in inner box to avoid damage during transit. Take out glass shelf from box and place it on wood shelf frame.



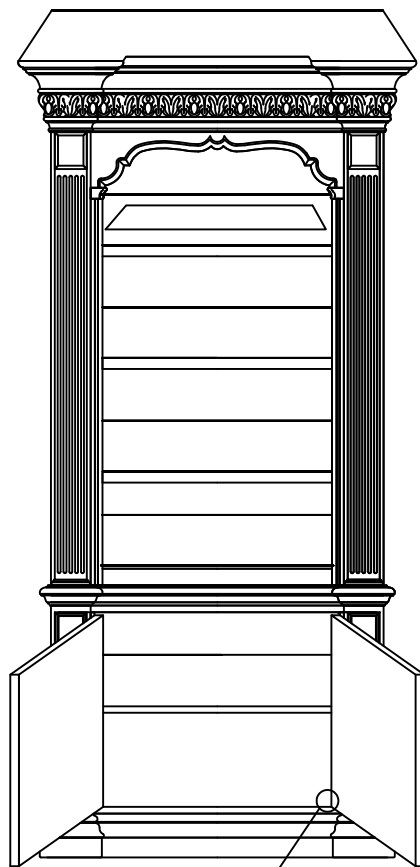
Step 2



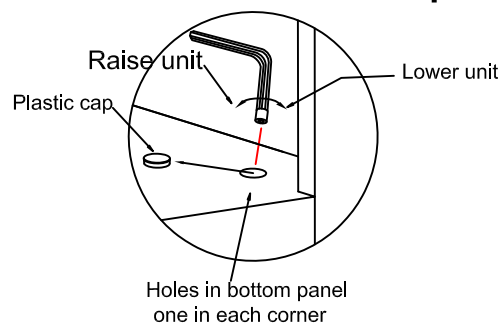
To adjust the shelf height, take out shelf pins then place shelf pins in the desired level.

ASSEMBLY INSTRUCTION

ITEM: 5070-10445 BOOKCASE



Step 3



The instruction for using the interior levelers:

1. Take off the plastic caps.
2. Insert allen wrench through the holes into the heads of levelers. Turn clockwise to raise the furniture piece, counterclockwise to low it.
3. Adjust levelers until a level alignment is achieved.