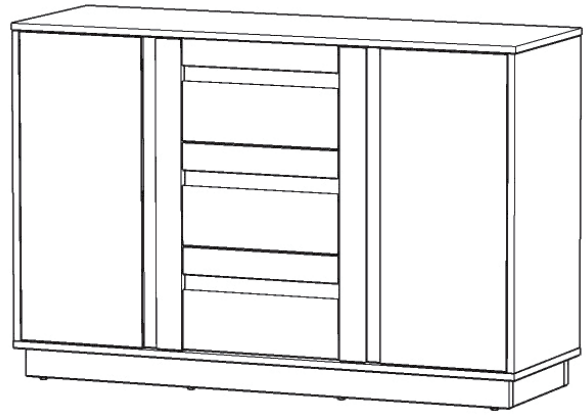


Buffet



**IMPORTANT**

Carefully remove all the parts from the carton and place them individually on a soft cloth to prevent scratches or other damage.

Carefully and strictly follow these assembly instructions to ensure a completed product as designed.

Do not use power tools above 8 volts to assemble.

**Part List**



A.  
Top  
1 pc.



D.  
Plinth  
2 pcs.



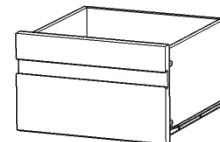
B.  
Base  
1 pc.



E.  
Shelf  
4 pcs.



C.  
Plinth  
2 pcs.

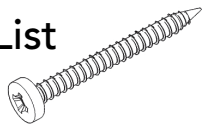


N.  
Drawer  
3 pcs. Refer to later page(s) of these instructions for drawer assembly.

**Hardware List**



Cam Lock Screw  
46 pcs. (+1 extra)



M3.5x64  
Wood Screw  
14 pcs. (+1 extra)



M3.5x38  
Flat Head Screw (long)  
14 pcs. (+1 extra)



M3.5x25  
Flat Head Screw  
15 pcs. (+1 extra)



M3x20  
Flat Head Screw (short)  
16 pcs. (+1 extra)



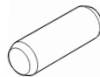
M3.5x14  
Wood Screw for Hinge  
36 pcs. (+1 extra)



Cam Lock  
28 pcs. (+4 extra)



Cover  
4 pcs. (+1 extra)



Dowel  
28 pcs. (+1 extra)



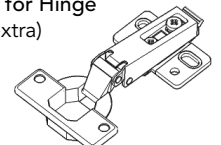
Cam Lock (small)  
18 pcs. (+2 extra)



Adjustable Pin  
16 pcs. (+1 extra)



Plastic Clip  
16 pcs. (+1 extra)



Hinge  
6 pcs.

Carton 20 08000 0612 is also needed for assembly.

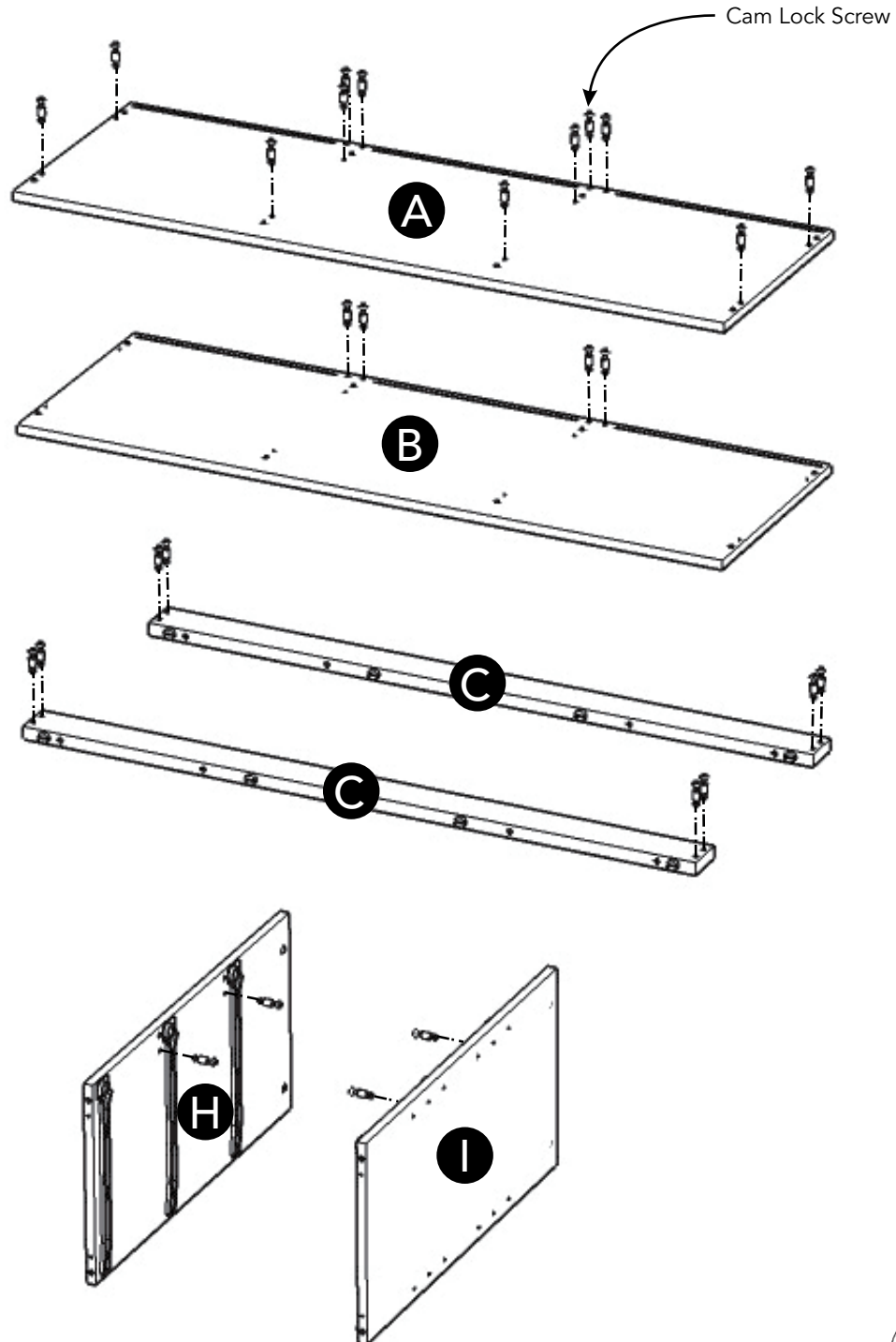
Tool(s) required for assembly: Phillips screwdriver, Level, Drill (8 volts or less), 3/8" Drill Bit

Home Styles Customer Service: [www.homestyles-furniture.com](http://www.homestyles-furniture.com),  
 servicedesk@homestyles-furniture.com, 888-680-7460, 877-831-0319

## Assembly Instructions 2/9

### IMPORTANT

- Use a soft cloth between these parts and the floor.
- Do not use power tools above 8 volts to assemble.
- Do not tighten all the screws until each part is properly assembled.
- The unit must be level to work properly. Use the included adjustable levelers to level.



### STEP 1

Place Top (A), Base (B), Plinths (C) and Middle Panels (H), (I) on a soft cloth.

Insert Cam Lock Screws into pre-drilled holes in Top (A), Base (B), Plinths (C) and Middle Panels (H), (I), then tighten. (See Figure 1)

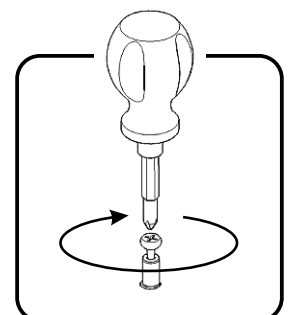


Figure 1

# Assembly Instructions 3/9

## STEP 2

Insert Dowels into pre-drilled holes in Uprights (K). (See Figure 2)

Attach Uprights (K) to Middle Panels (H) and (I) with Flat Head Screws (long). (See Figure 3)

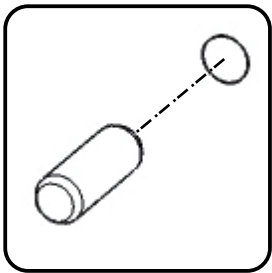


Figure 2

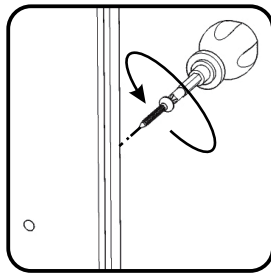
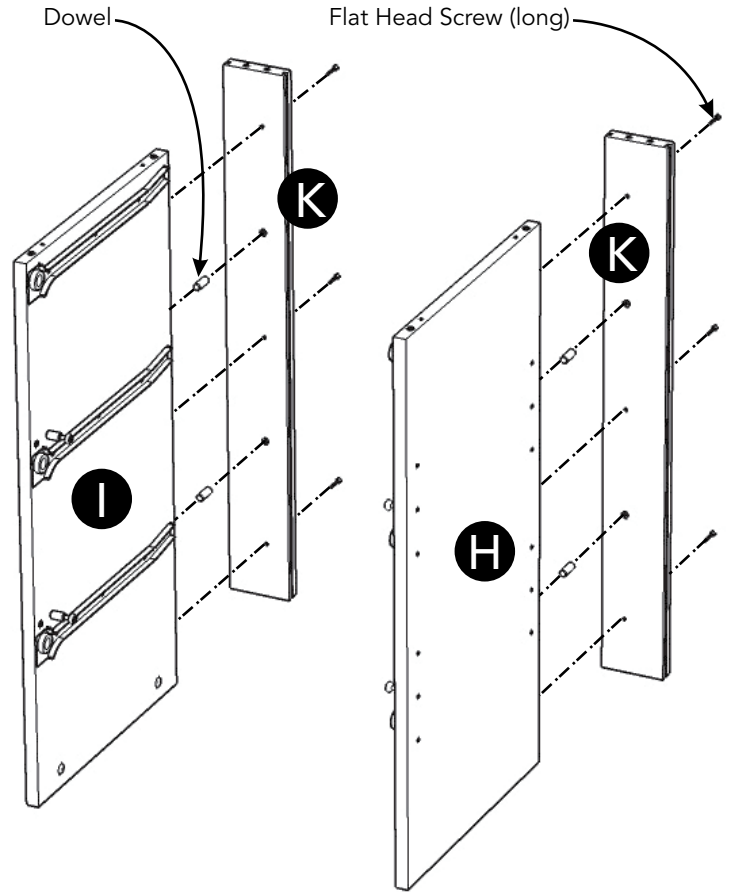


Figure 3



## STEP 3

Insert Dowels into pre-drilled holes in Rails (F).

Attach Side Panels (H) and (I) to Rails (F) with Cam Locks. (See Figure 4)

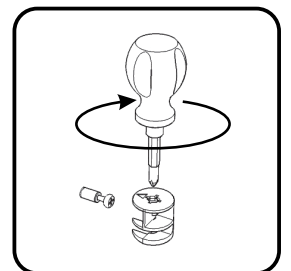
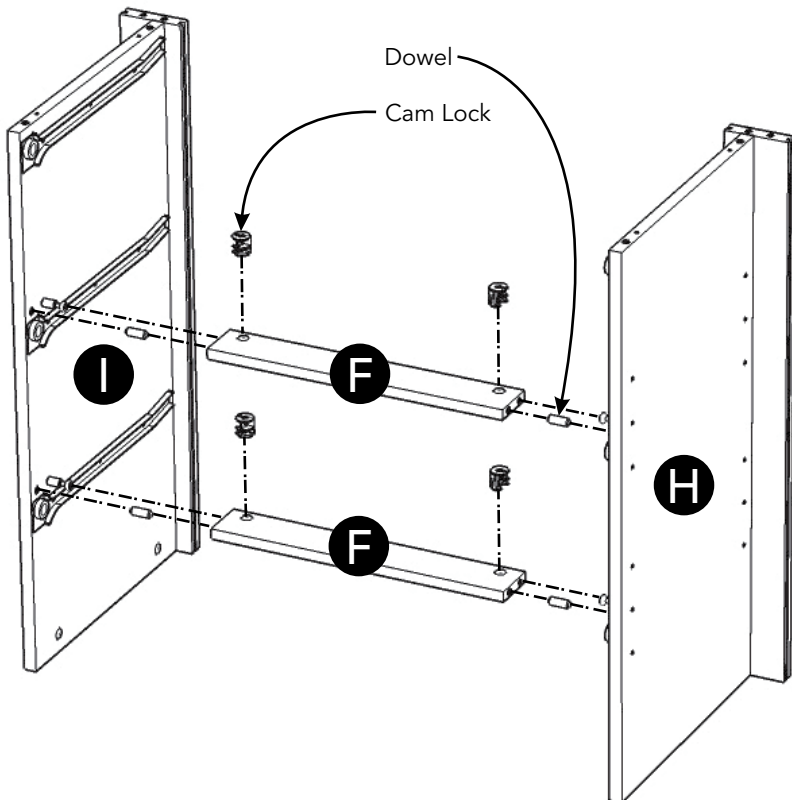


Figure 4

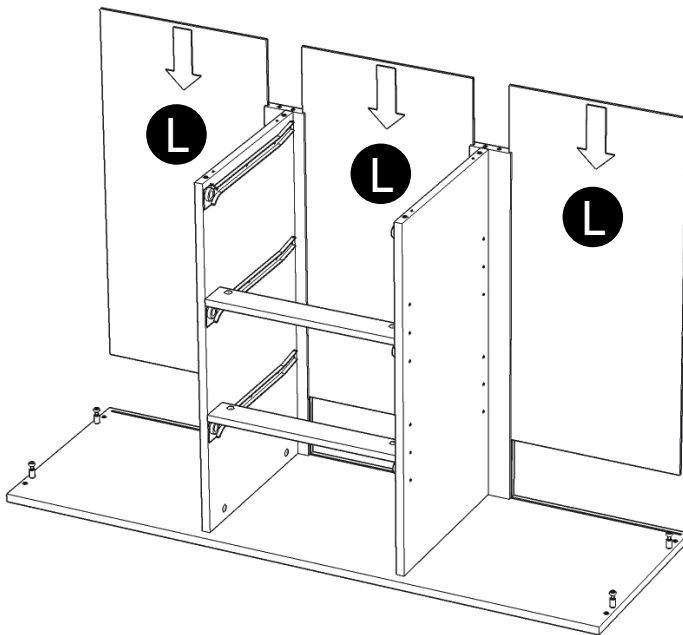
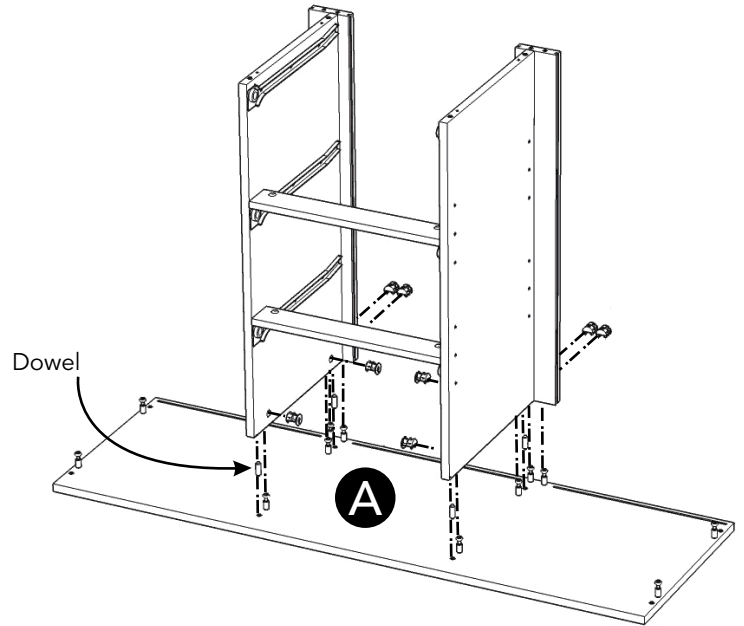
## Assembly Instructions 4/9

### STEP 4

Place Top (A) upside down on a soft cloth.

Insert Dowels into pre-drilled holes in Top (A).

Attach unit to Top (A) with Cam Locks.



### STEP 5

Slide Back Panels (L) into position.

### STEP 6

Insert Dowels into pre-drilled holes in unit.

Attach Side Panels (G) and (J) to unit with Cam Locks.

Cover Cam Locks with Covers.  
(See Figure 5)

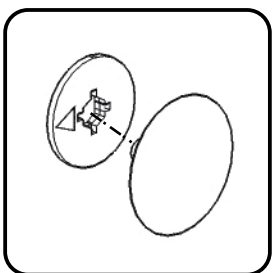
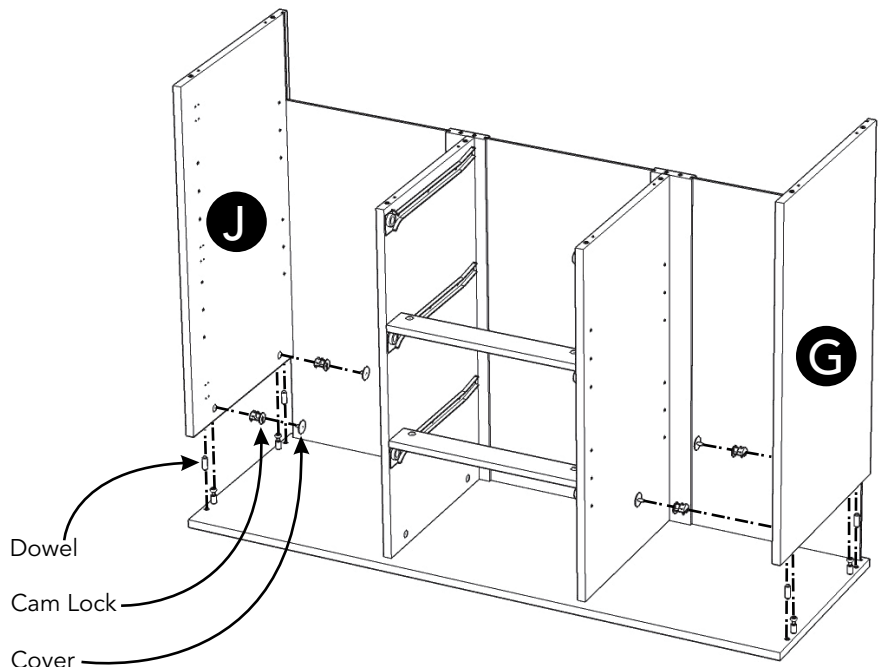


Figure 5

# Assembly Instructions 5/9

## STEP 7

Insert Dowels into pre-drilled holes in unit.

Attach Base (B) to unit with Cam Locks and Flat Head Screws (long). (See Figure 6)

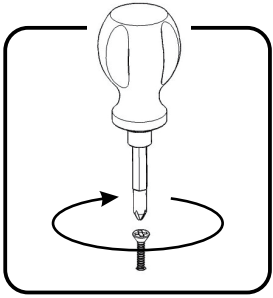
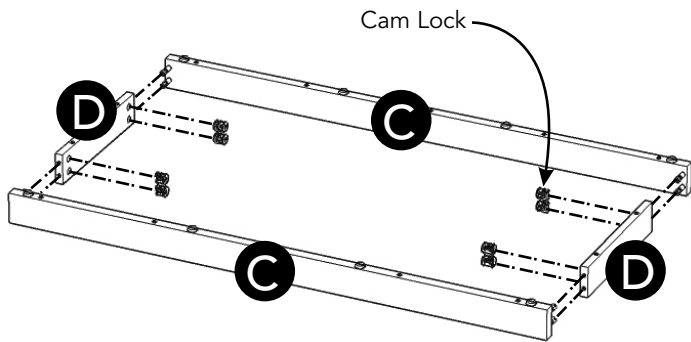
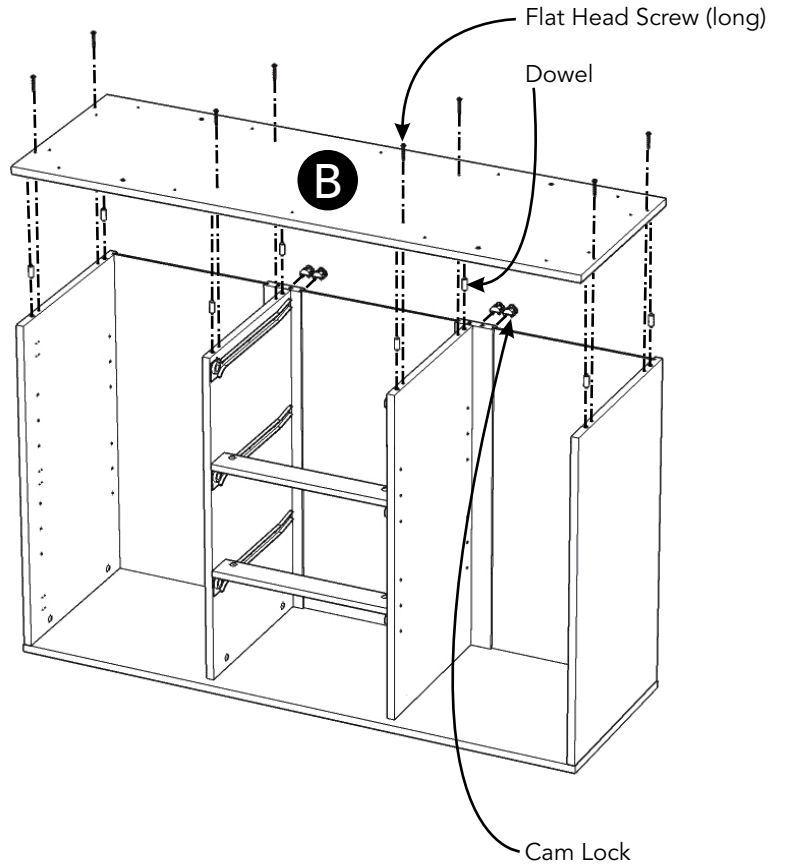
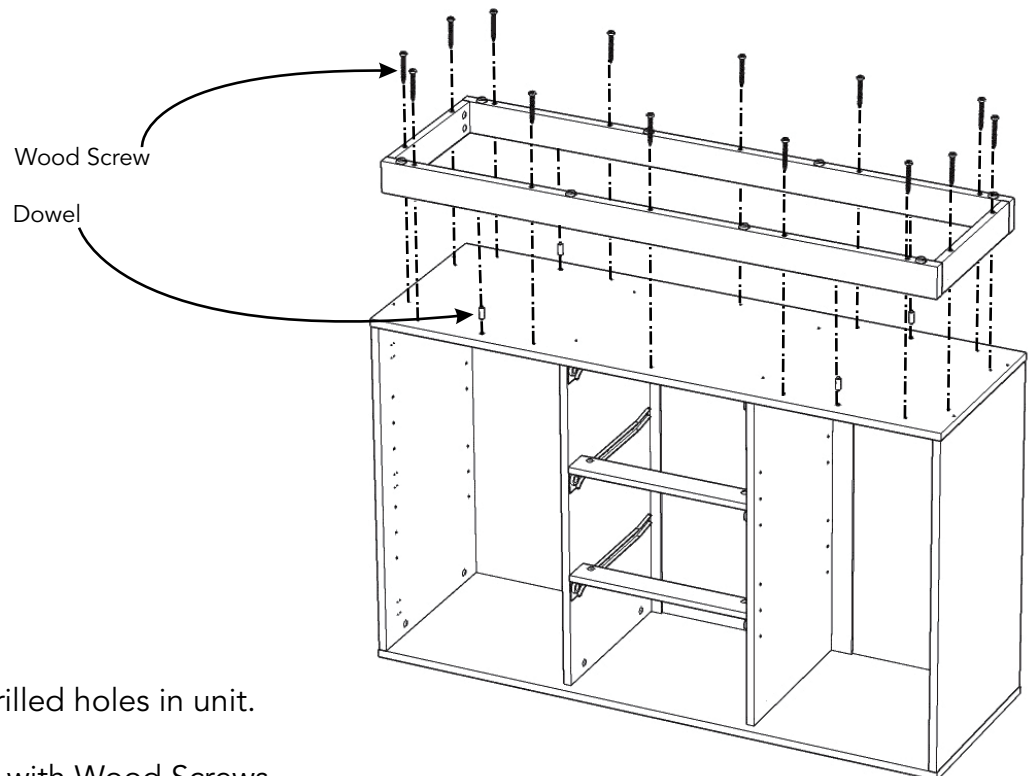


Figure 6



## STEP 8

Attach Plinths (C) to Plinths (D) with Cam Locks.



## STEP 9

Insert Dowels into pre-drilled holes in unit.

Attach plinth unit to unit with Wood Screws.

# Assembly Instructions 6/9

## STEP 10

Place Doors (M) face down on a soft cloth.

Attach Hinges to Doors (M) with Wood Screws for Hinge into pre-drilled holes, then tighten.  
(See Figure 7)

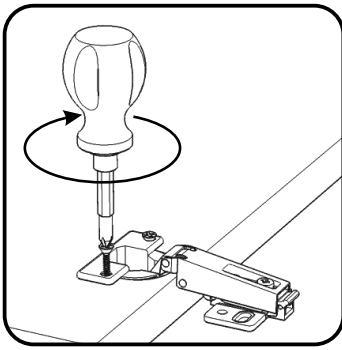
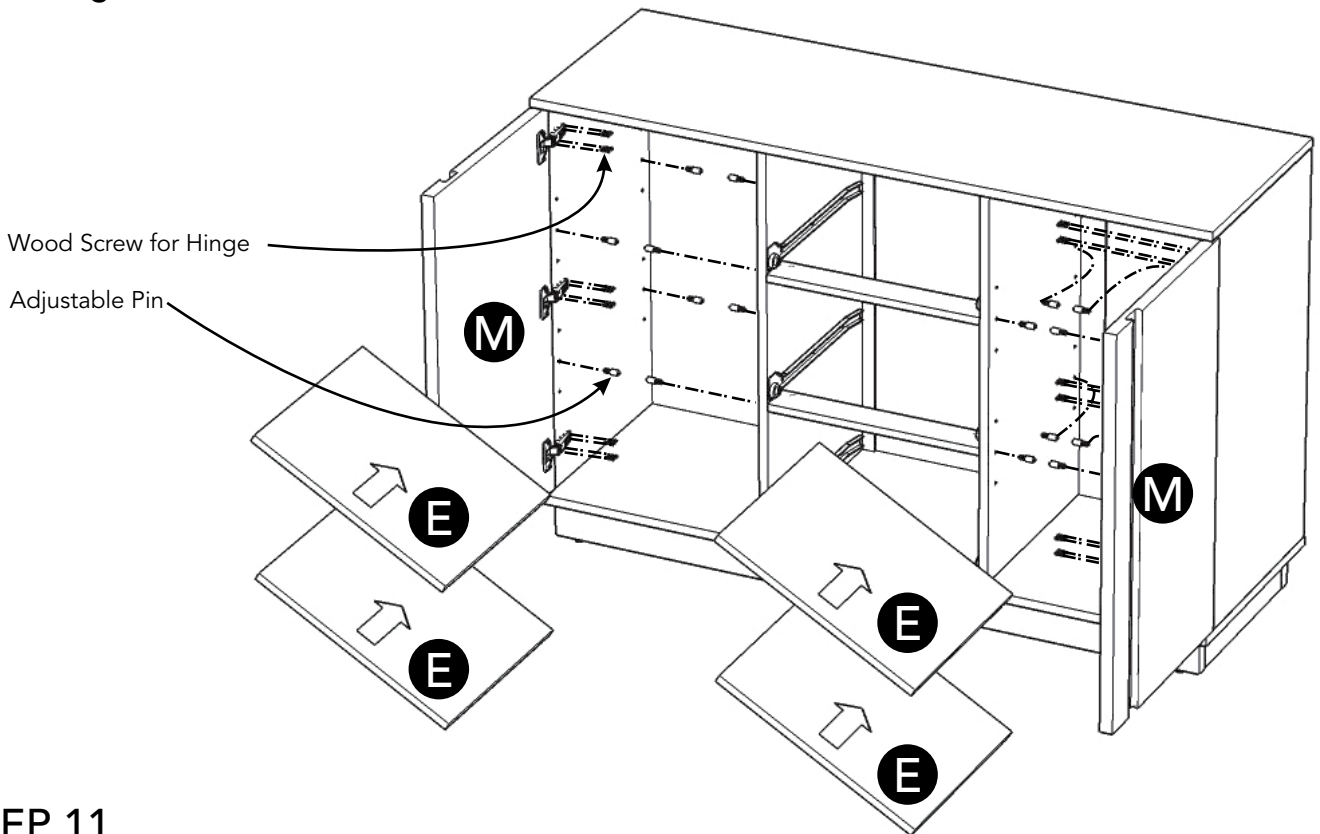
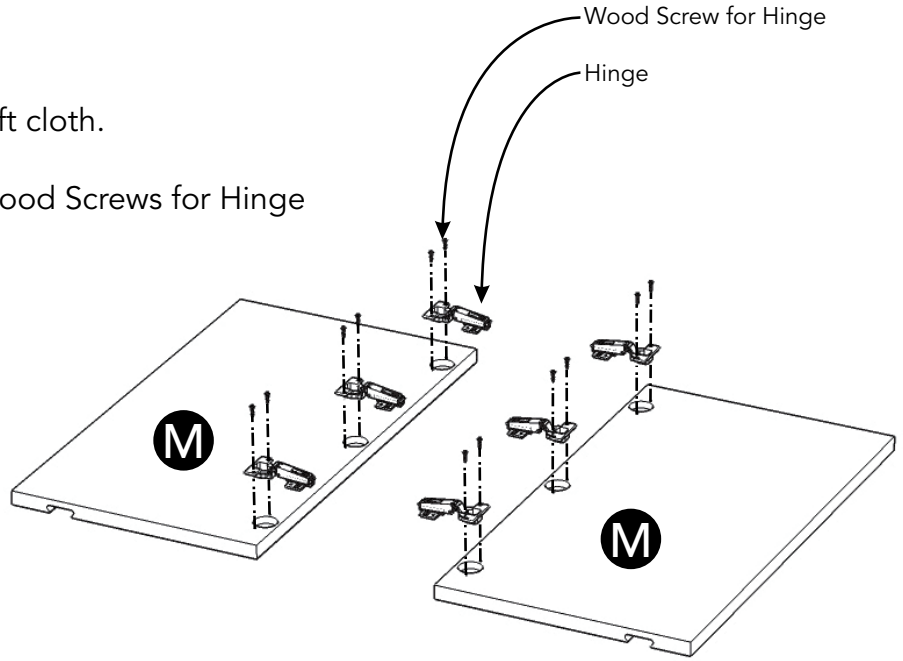


Figure 7



## STEP 11

Turn unit from Step 9 over to its' upright position.

Attach Doors (M) to unit with Wood Screws for Hinge.  
(See Figure 8)

Insert Adjustable Pins into side panels and middle panels at desired level. (See Figure 9)

Place Shelves (E) into position.

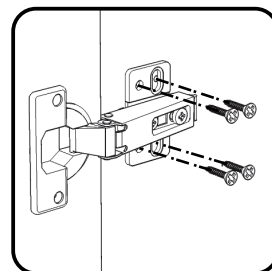


Figure 8

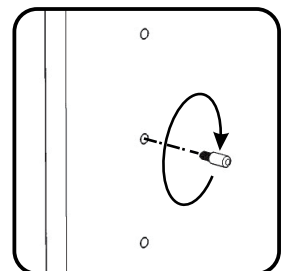
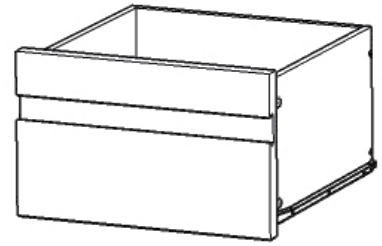
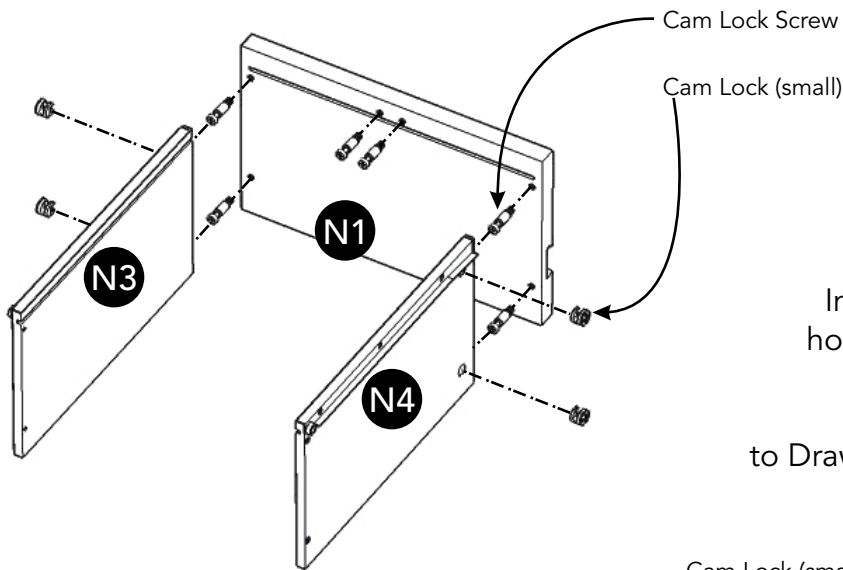


Figure 9

# Assembly Instructions 7/9

## Drawer (N)



### STEP 12

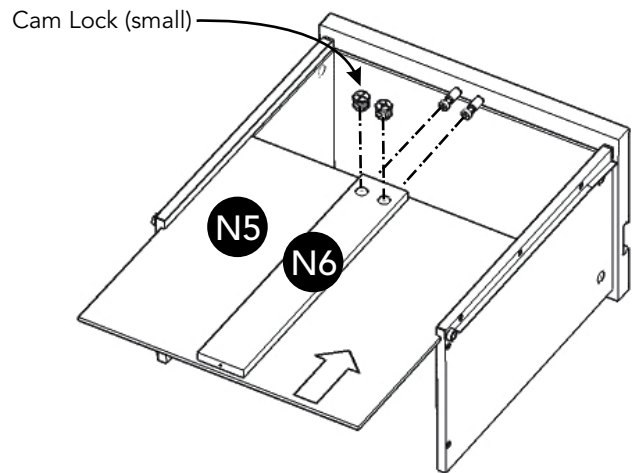
Insert Cam Lock Screws into pre-drilled holes in Drawer Front (N1), then tighten.

Attach Drawer Sides (N3) and (N4) to Drawer Front (N1) with Cam Locks (small).

### STEP 13

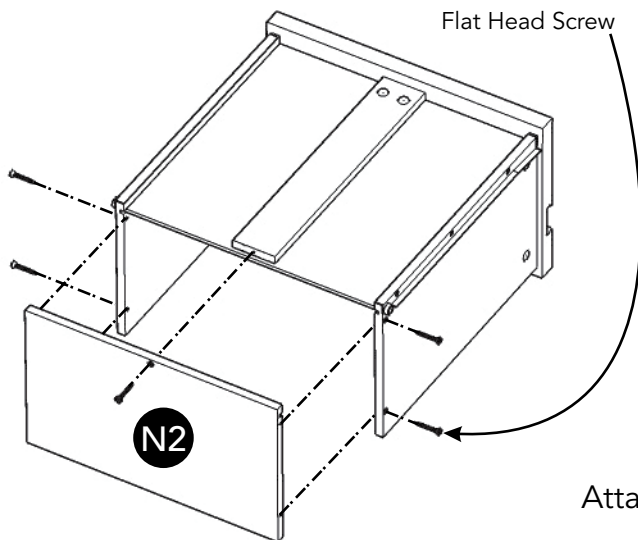
Slide Drawer Bottom (N5) into groove.

Attach Support (N6) to unit with Cam Locks (small).

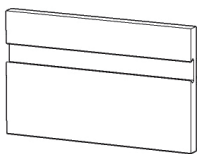


### STEP 14

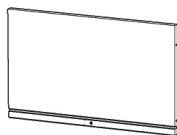
Attach Drawer Back (N2) to unit with Flat Head Screws.



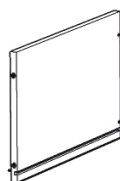
## Part List



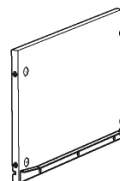
N1.  
Drawer Front  
3 pcs.



N2.  
Drawer Back  
3 pcs.



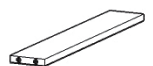
N3.  
Drawer Side  
3 pcs.



N4.  
Drawer Side  
3 pcs.



N5.  
Drawer Bottom  
3 pcs.



N6.  
Support  
3 pcs.

# Assembly Instructions 8/9

## STEP 15

Level unit by adjusting the adjustable levelers on bottom of unit. (See Figure 10)

Note: Unit must be level to proceed.

Slide Drawers (N) into position.

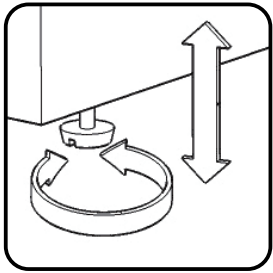
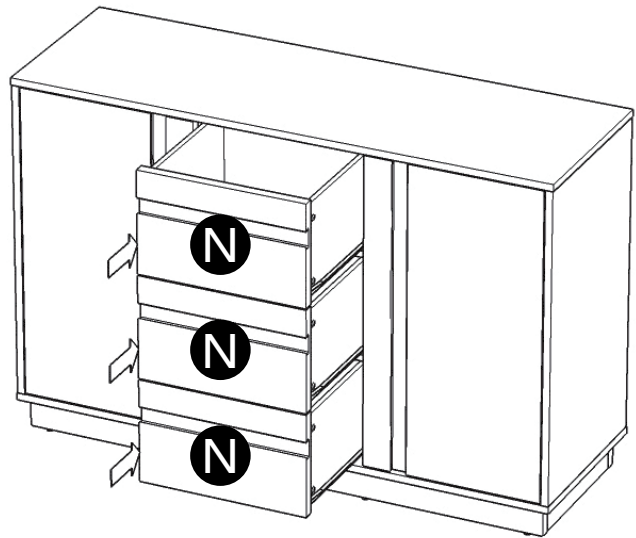


Figure 10



## STEP 16

Attach Plastic Clips to unit with Flat Head Screws (short). (See Figure 11)

Note: Unit must be level before attaching Plastic Clips.

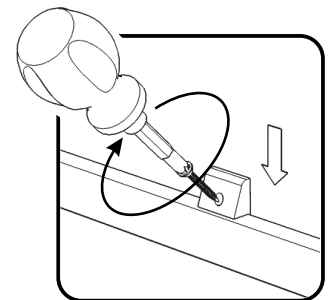
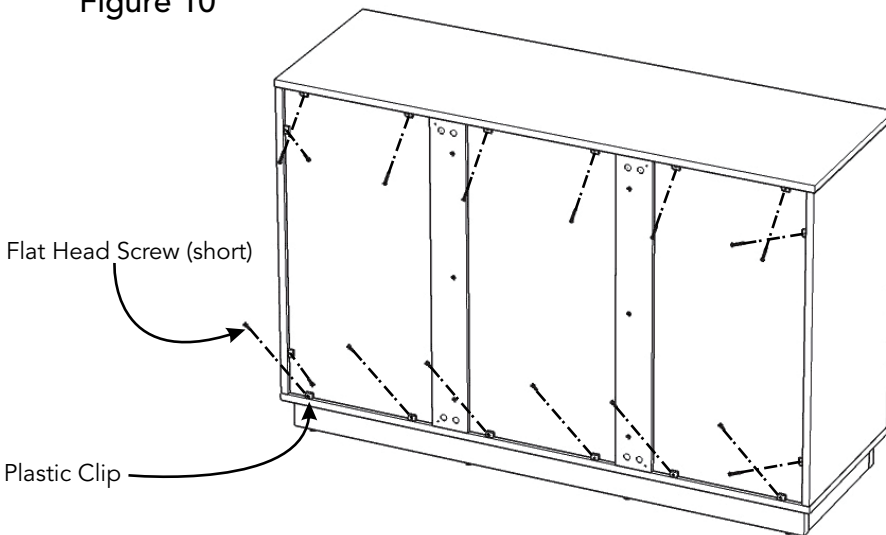


Figure 11

## STEP 17

If needed, adjust doors up or down by removing the front Wood Screws for Hinge and loosening slightly the back Wood Screws for Hinge from side panel, adjusting doors up or down and reinstalling screws. (See Figure 12)

If needed, adjust doors left to right. (See Figure 13)

If needed, adjust doors front to back. (See Figure 14)

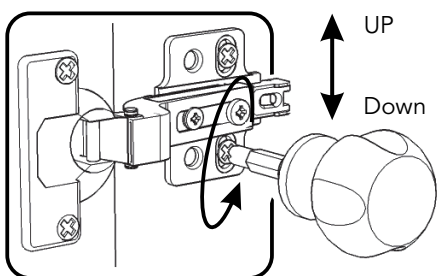


Figure 12

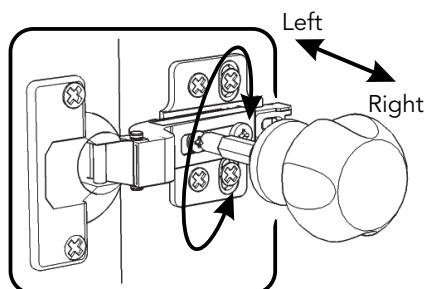


Figure 13

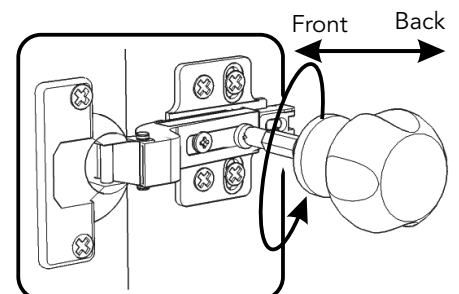


Figure 14



# Assembly Instructions 9/9

## IMPORTANT

- To help reduce the risk of the unit tipping over, the Tip-over Restraints must be installed following these instructions exactly.

## STEP 18

Place unit at desired location.

Drill 3/8" holes in wall in-line with pre-drilled holes at top of unit.

Move unit.

Insert Anchors into the wall hole and attach Brackets with Wall Screws.

Attach Brackets at pre-drilled holes at top of unit with Wood Screws.

Move unit back into place.

Slide Tip-over Restraints through Brackets on wall and Brackets on unit. (See Figure 15)

Put tie end of Tip-over Restraints into lock end of Tip-over Restraints and pull until tight.

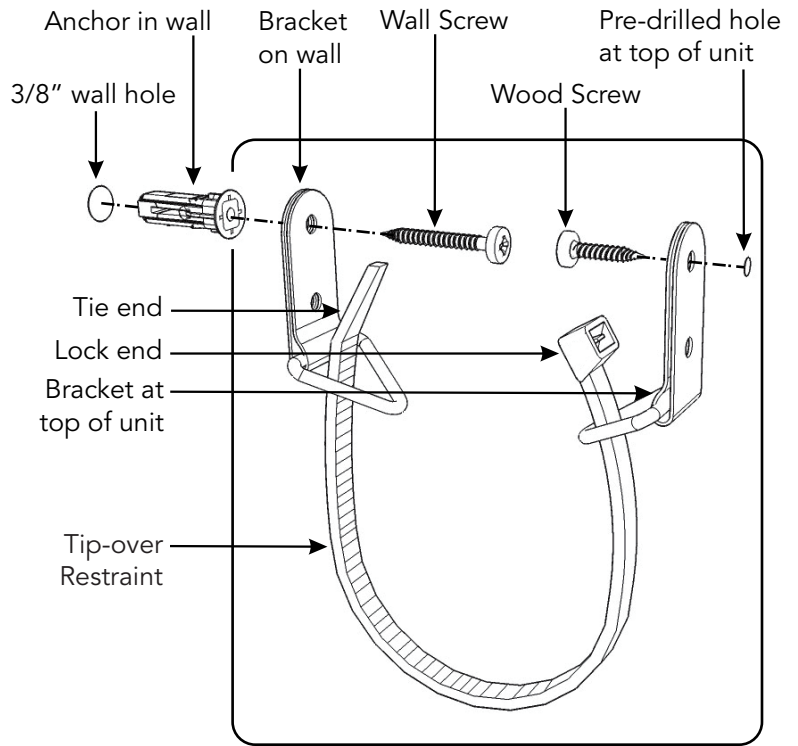
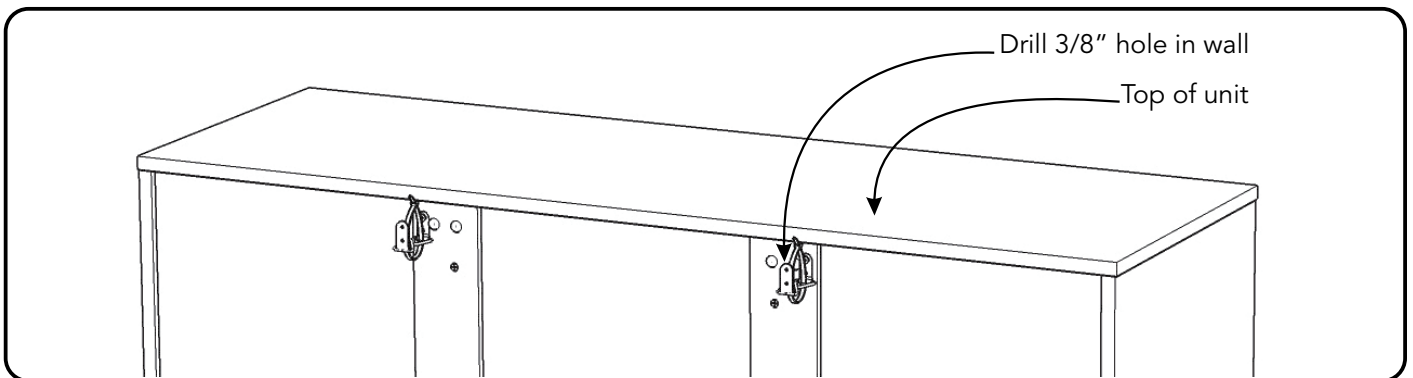
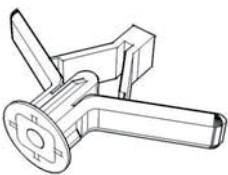


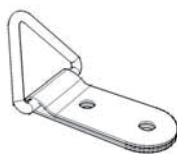
Figure 15



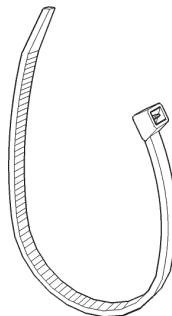
## Hardware List



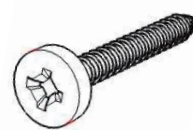
Anchor  
2 pcs. (+1 extra)



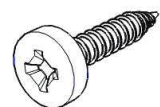
Bracket  
4 pcs. (+1 extra)



Tip-over Restraint  
2 pcs. (+1 extra)



M3.5x38  
Wall Screw  
2 pcs. (+1 extra)



M3x16  
Wood Screw  
2 pcs. (+1 extra)

# CARE INSTRUCTIONS

## NEVER

allow liquids to remain on furniture.  
Absorption causes parts to warp  
and split and finishes to delaminate.

## NEVER

use glass cleaners on  
finished furniture. Ammonia  
chemically attacks the finish.



Do not use power tools  
above 8 volts to assemble.

**PREVENT  
CRACKING**



Do not place  
in direct sunlight.

**PREVENT  
FADING**



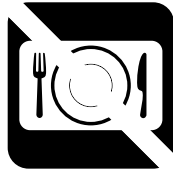
Do not write  
directly on surface.

**PREVENT  
MARKING**



Do not place hot  
objects on surface.

**PREVENT  
FINISH DAMAGE**



Do not use rubber  
based placemats.

**PREVENT  
DISCOLORING**



Do not use commercial  
waxes and polishes.

**PREVENT  
YELLOWING**

## CLEAN

with a soft cloth moistened  
in lukewarm soap and water.  
Buff with a dry clean cloth.



Home Styles will provide replacements free of charge for missing or damaged hardware or parts within 30 days of purchase. Digital images of the defective parts may be required. If the product was not purchased from an authorized retail affiliate, Home Styles is under no obligation to provide replacement parts. Parts are not available for fully assembled items nor are parts available for sale. Replacements for missing or damaged hardware or parts may be requested at:

[www.homestyles-furniture.com/customer-service/replacement-parts](http://www.homestyles-furniture.com/customer-service/replacement-parts)

Home Styles Customer Service: [www.homestyles-furniture.com](http://www.homestyles-furniture.com),  
[servicedesk@homestyles-furniture.com](mailto:servicedesk@homestyles-furniture.com), 888-680-7460, 877-831-0319