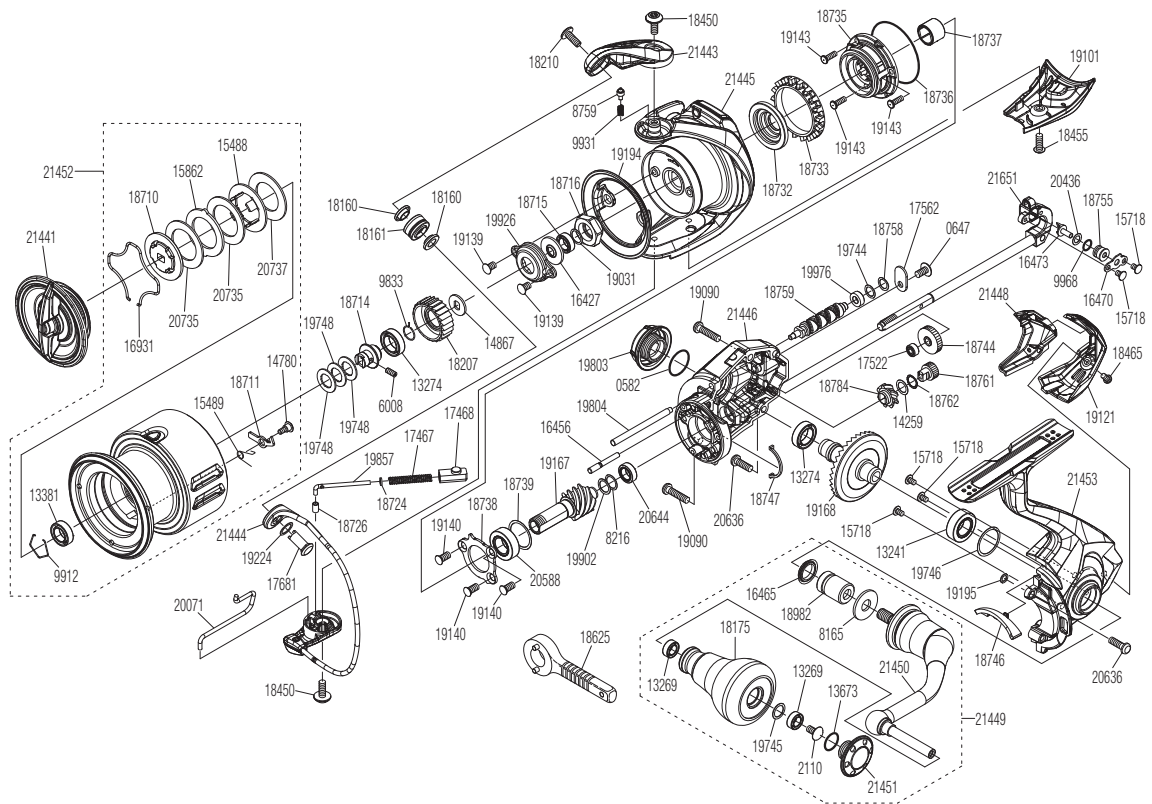


SHIMANO

TWIN POWER XD SA-RB

TPXD-C3000XG



Please note that the number of adjusting washers may not always be the same as shown in the exploded views.

(51SF47E037X)

Please note that your actions take full responsibility when you take it apart.

| Part No. | Description | Part No. | Description | Part No. | Description |
|----------|------------------------|----------|-------------------------------|----------|-------------------------|
| RD 0582 | O Ring | RD18710 | Key Washer B | RD19857 | Bail Spring Guide |
| RD 0647 | Screw | RD18711 | Drag Click Screw | RD19902 | Washer |
| RD 2110 | Screw | RD18714 | Spool Bearing Bushing | RD19926 | Nut Lock Plate |
| RD 6008 | Set Screw | RD18715 | Main Shaft Spacer Assembly | RD19976 | Bushing |
| RD 8165 | Washer | RD18716 | Rotor Nut | RD20071 | Bail Trip Lever |
| RD 8216 | Spacer | RD18724 | Spring Guide A Support Collar | RD20436 | Washer |
| RD 8759 | Click Pin | RD18726 | Bail Spring Guide A Bush | RD20588 | Ball Bearing |
| RD 9833 | Ratchet Spring | RD18732 | Rotor Ring | RD20636 | Screw |
| RD 9912 | Bearing Retainer | RD18733 | Friction Ring | RD20644 | Ball Bearing |
| RD 9931 | Click Spring | RD18735 | Roller Clutch Assembly | RD20735 | Drag Washer A |
| RD 9968 | O Ring | RD18736 | Roller Clutch Case Seal | RD20737 | Drag Washer B |
| RD13241 | Ball Bearing | RD18737 | Roller Clutch Inner | RD21441 | Drag Knob Assembly |
| RD13269 | Ball Bearing | RD18738 | Bearing Retainer | RD21443 | Bail Arm |
| RD13274 | Ball Bearing | RD18739 | Washer | RD21444 | Bail Assembly |
| RD13381 | Ball Bearing | RD18744 | Idle Gear | RD21445 | Rotor Assembly |
| RD13673 | O Ring | RD18746 | Bail Trip Strike | RD21446 | Body |
| RD14259 | Washer | RD18747 | Flange Water Proof | RD21448 | Rear Shield |
| RD14780 | Screw | RD18755 | Oscillating Slider Bushing | RD21449 | Handle Assembly |
| RD14867 | Spool Support A | RD18758 | Washer | RD21450 | Handle Shank Assembly |
| RD15488 | Key Washer A | RD18759 | Worm Shaft | RD21451 | Handle Knob Seal |
| RD15489 | Drag Click Spring | RD18761 | Idle Gear (Small) | RD21452 | Spool Assembly |
| RD15718 | Screw | RD18762 | Washer | RD21453 | Side Cover Assembly |
| RD15862 | Eared Washer | RD18784 | Idle Gear (Large) | RD21651 | Main Shaft Assembly |
| RD16427 | Bearing Water Proof | RD18982 | Handle Shaft Cover B | | |
| RD16456 | Idle Gear Shaft | RD19031 | Washer | | |
| RD16465 | Handle Shaft Seal | RD19090 | Screw | | |
| RD16470 | Oscillating Pawl Cover | RD19101 | Bail Hold Support Guard | | |
| RD16473 | Oscillating Pawl | RD19121 | Rear Protector | | |
| RD16931 | Retainer | RD19139 | Screw | | |
| RD17467 | Bail Spring | RD19140 | Screw | | |
| RD17468 | Bail Spring Guide B | RD19143 | Screw | | |
| RD17522 | Bushing | RD19167 | Pinion Gear | | |
| RD17562 | Worm Shaft Retainer | RD19168 | Drive Gear | | |
| RD17681 | Line Roller Support | RD19194 | Rotor Brim | | |
| RD18160 | Collar | RD19195 | Washer | | |
| RD18161 | Line Roller Set | RD19224 | Washer | | |
| RD18175 | Handle Knob Assembly | RD19744 | Washer | | |
| RD18207 | Drag Click Ratchet | RD19745 | Washer | | |
| RD18210 | Screw | RD19746 | Washer | | |
| RD18450 | Screw | RD19748 | Washer | | |
| RD18455 | Screw | RD19803 | Handle Screw Cap | | |
| RD18465 | Screw | RD19804 | Oscillating Guide A | RD18625 | Reel Wrench (accessory) |