

**SIMPLEHOME**<sup>™</sup>  
— LIFE BY DESIGN —

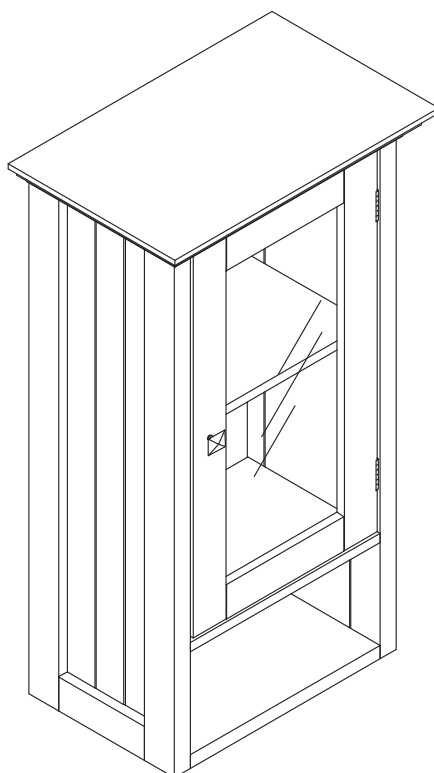
*Wyndent Hall*<sup>™</sup>  
HOME DECOR  
brooklyn + max<sup>™</sup>

**ACADIAN / NORMANDY / BRUNSWICK**

---

**SINGLE DOOR WALL CABINET**

**MODEL # AXCBCACA-03**





**Questions, problems, assembly help, missing parts?**

No need to return the product, we will gladly help and ship your replacement parts free of charge

Please call Customer Service at 1-866-518-0120 ext. 262

Monday to Friday between 9 am – 4 pm EST

or go to

[www.simpli-home.com/parts request](http://www.simpli-home.com/parts request)

In order to assist you in a timely manner, please have the following information ready:

Model # \_\_\_\_\_ Part Number or Letter \_\_\_\_\_

Purchased at \_\_\_\_\_ Date of Purchase \_\_\_\_\_

**If you wish to return the product, please contact the retailer where the product was purchased.**

**IMPORTANT :** Please read this manual carefully before beginning assembly of this product. Keep this manual for future reference.

## **SAFETY INFORMATION**

Identify all the parts and hardware. Do not discard of the packaging until you have checked that you have all of the parts and hardware required. Hardware package may have spare parts.

**WARNING:** This item contains small parts which can be swallowed by children and pets. Keep children and pets away during assembly. To avoid danger of suffocation, always keep plastic bags away from children and pets. We recommend that you assemble this unit on a carpeted floor to avoid scratches. If using power tools, set the tool to low torque to avoid damage.

**May require 2 people for ease of assembly.**

## **CARE and MAINTENANCE**

To clean, use a soft or slightly damp cloth, then wipe with a clean, dry cloth. Dust with soft dry cloth.

Do not use ammonia-based cleaning products, as they will damage the finish.

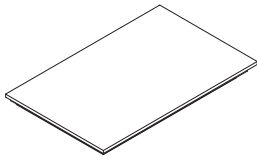
Do not leave liquids or damp cloths on this furniture.

To avoid dulling of the finish, do not place furniture in direct sunlight.

Please inspect and tighten all screws or bolts on a regular basis to ensure proper performance and safety of your item.

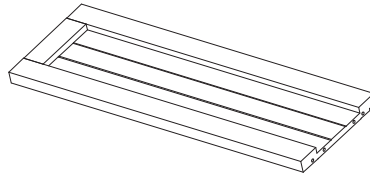
**PARTS DESCRIPTION**

**A**



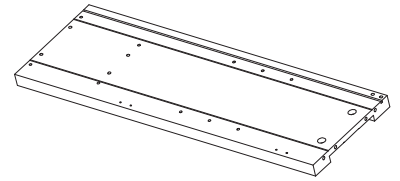
CABINET TOP  
QTY 1

**B**



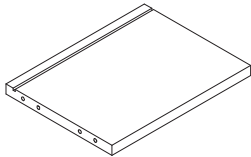
LEFT SIDE PANEL  
QTY 1

**C**



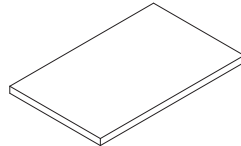
RIGHT SIDE PANEL  
QTY 1

**D**



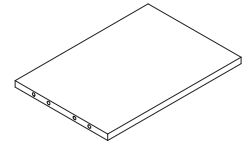
BOTTOM PANEL  
QTY 1

**E**



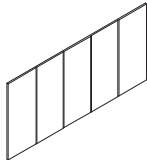
SHELF  
QTY 1

**F**



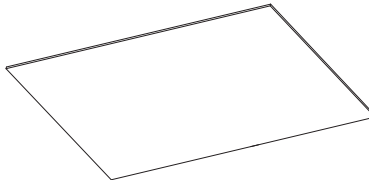
MIDDLE SHELF  
QTY 1

**G**



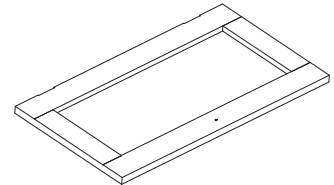
BOTTOM BACK PANEL  
QTY 1

**H**



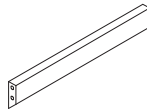
TOP BACK PANEL  
QTY 1

**I**



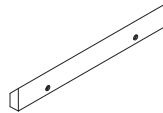
DOOR  
QTY 1

**J**



REAR TOP CROSS BAR  
QTY 1







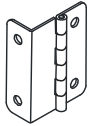
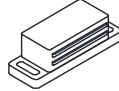







**K**

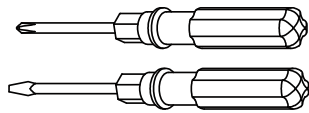


REAR BOTTOM CROSS BAR  
QTY 1

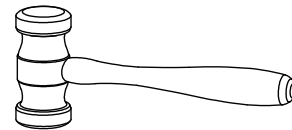
**NEED HELP?** For help with assembly or if you are missing a part,  
Please call customer service at 1-866-518-0120 ext. 262 (9 am to 4 pm EST)

**HARDWARE DESCRIPTION**

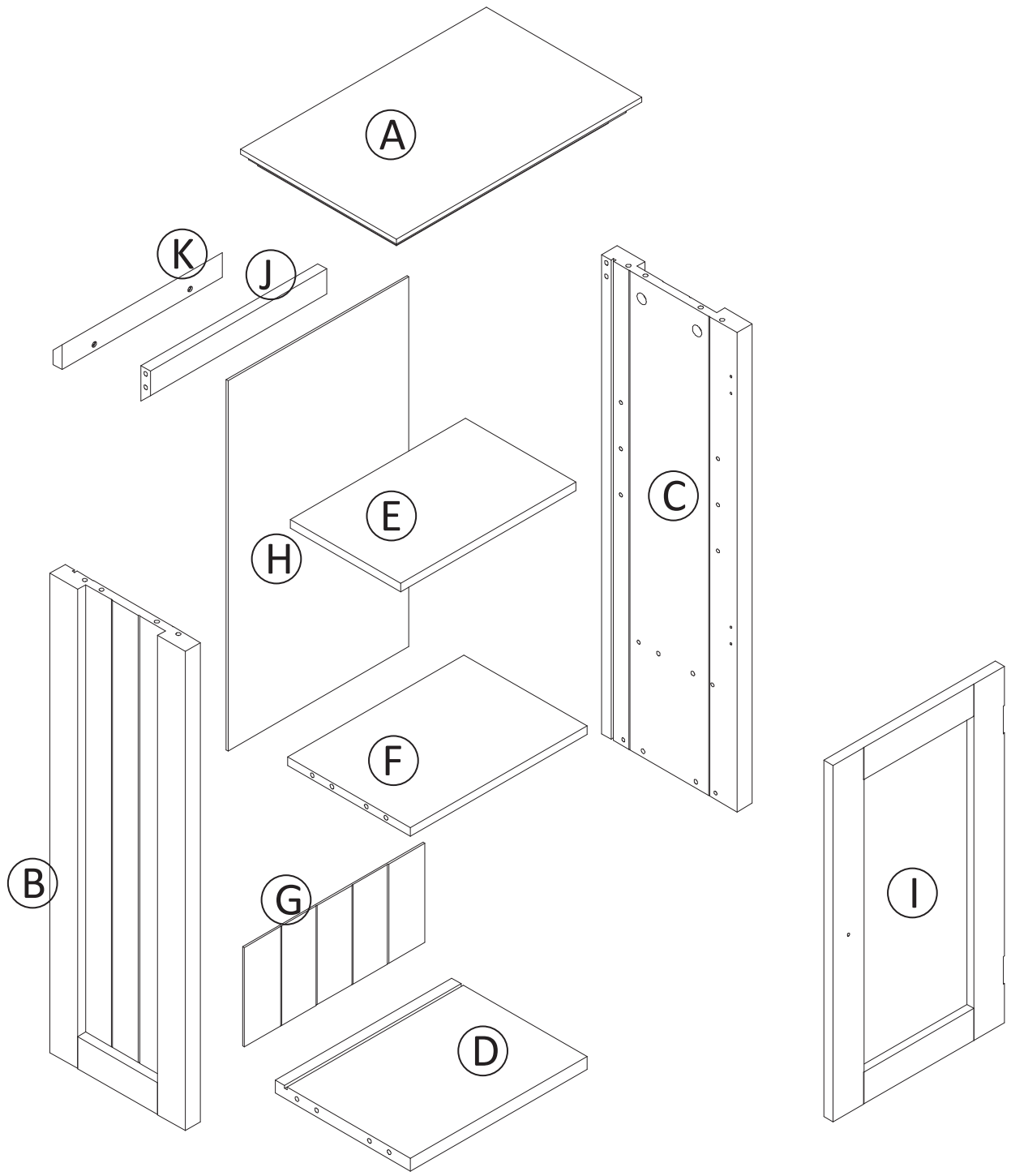
<p><b>1</b></p>  <p>WOOD DOWEL QTY 16</p>	<p><b>2</b></p>  <p>CAM BOLT QTY 12</p>	<p><b>3</b></p>  <p>CAM LOCK QTY 4</p>
<p><b>4</b></p>  <p>CAM LOCK QTY 8</p>	<p><b>5</b></p>  <p>SCREW QTY 9</p>	<p><b>6</b></p>  <p>SCREW QTY 2</p>
<p><b>7</b></p>  <p>METAL HINGE QTY 2</p>	<p><b>8</b></p>  <p>MAGNET QTY 1</p>	<p><b>9</b></p>  <p>METAL PLATE QTY 1</p>
<p><b>10</b></p>  <p>SHELF SUPPORT QTY 4</p>	<p><b>11</b></p>  <p>HANDLE QTY 1</p>	<p><b>12</b></p>  <p>SCREW QTY 1</p>
<p><b>13</b></p>  <p>SCREW QTY 2</p>	<p><b>14</b></p>  <p>PLASTIC ANCHOR QTY 2</p>	<p><b>15</b></p>  <p>CAP QTY 4</p>



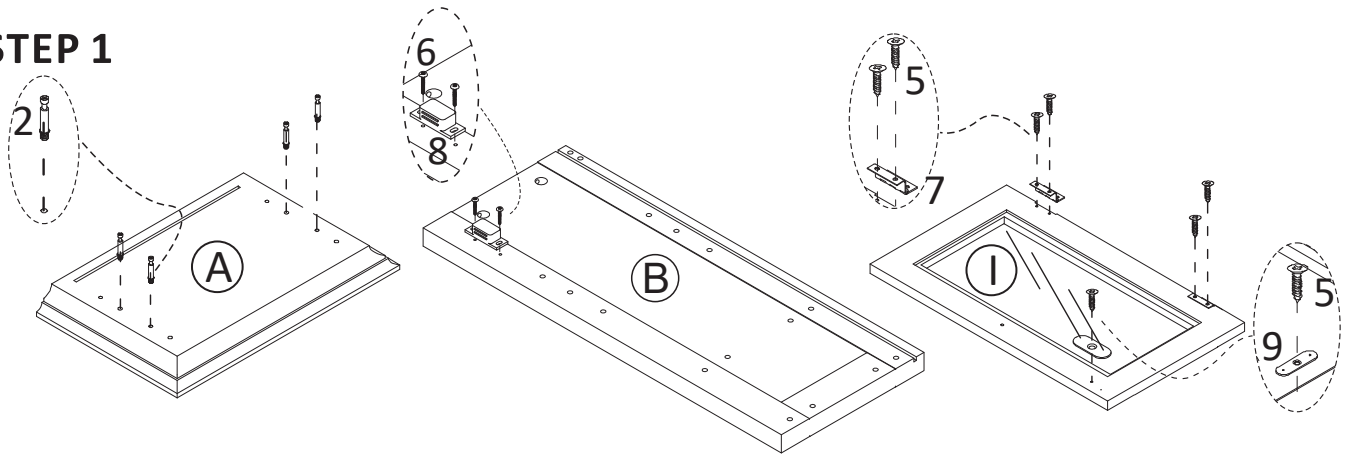
Required -  
Flathead screwdriver  
Phillips screwdriver  
Rubber mallet  
**Not Included**



**NEED HELP?** For help with assembly or if you are missing a part,  
Please call customer service at 1-866-518-0120 ext. 262 (9 am to 4 pm EST)



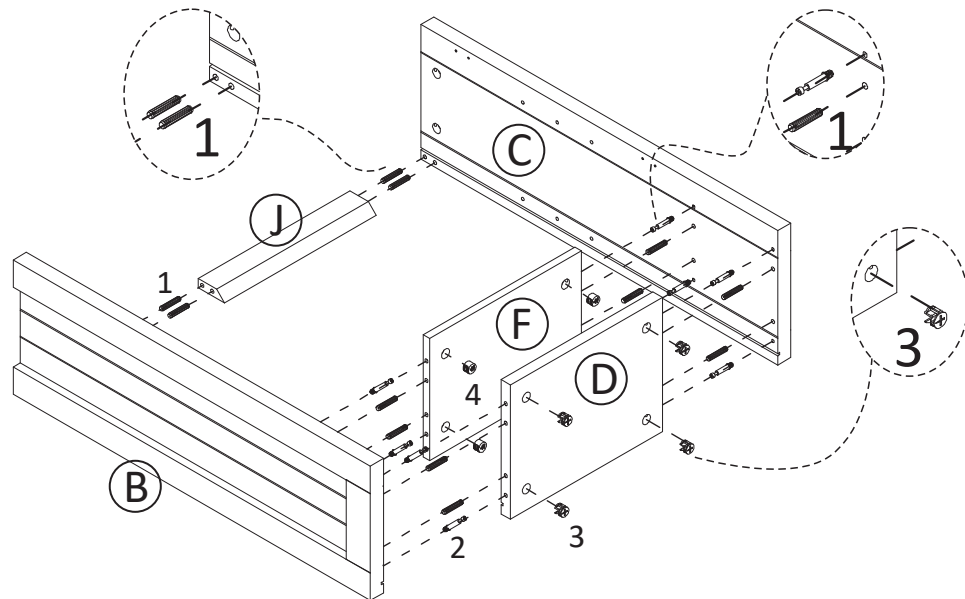
**STEP 1**



**Assembling the Cabinet Top, Door**

1. Lay down the cabinet top (A) and screw four cam bolts (2) into the pre-drilled holes using a Phillips screwdriver.
2. Attach the magnet (8) to the left side panel (B), by inserting two screws (6) through the holes on the magnet (8). Use a Phillips screwdriver to tighten.
3. Lay down the door (I) and attach two metal hinges (7) to the door by inserting four screws (5) through the holes on the metal hinge (7) and tighten the door using a Phillips screwdriver.
4. Attach the metal plate (9) to the door (I) by inserting one screw (5) through the holes on the magnet plate (9) and tighten to the door (I) using a Phillips screwdriver.

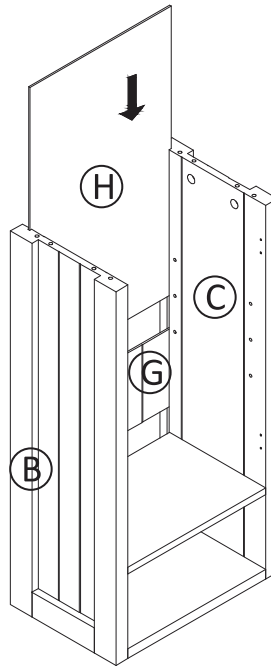
**STEP 2**



**Assembling the Left Side Panel, Right Side Panel, Middle Shelf, Bottom Panel and Rear Top Cross Bar**

1. Lay down the left side panel (B) and screw four cam bolts into pre-drilled using a Phillips screwdriver.
2. Lay down the right side panel (C) and screw four cam bolts into pre-drilled using a Phillips screwdriver.
3. Attach the middle shelf (F), bottom panel (D) and rear top cross bar (J) to the left side panel (B) by inserting six wood dowels (1) into the dowel holes on the left side panel (B), middle shelf (F), bottom panel (D) and rear top cross bar (J).
4. Insert two cam locks (4) into the cam lock holes on the middle shelf (F) and insert two cam locks (3) into the cam lock holes on the bottom panel (D), and rotate clockwise to secure cam bolts are in place using a Phillips screwdriver.
5. Attach the middle shelf (F), bottom panel (D) and rear top cross bar (J) to the right side panel (C) by inserting six wood dowels (1) into the dowel holes on the left side panel (B), middle shelf (F), bottom panel (D) and rear top cross bar (J).
6. Insert two cam locks (4) into the cam lock holes on the middle shelf (F) and insert two cam locks (3) into the cam lock holes on the bottom panel (D), and rotate clockwise to secure cam bolts are in place using a Phillips screwdriver.

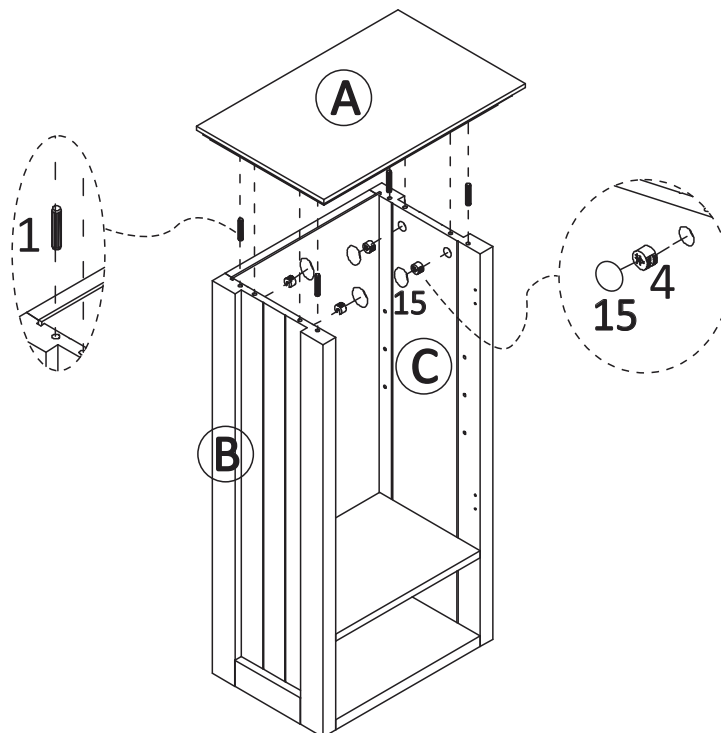
## STEP 3



### Assembling the Top Back Panel and Bottom Back Panel

1. Insert the top back panel (H) and bottom back panel (G) into the groove of left side panel (B), right side panel (C).

## STEP 4

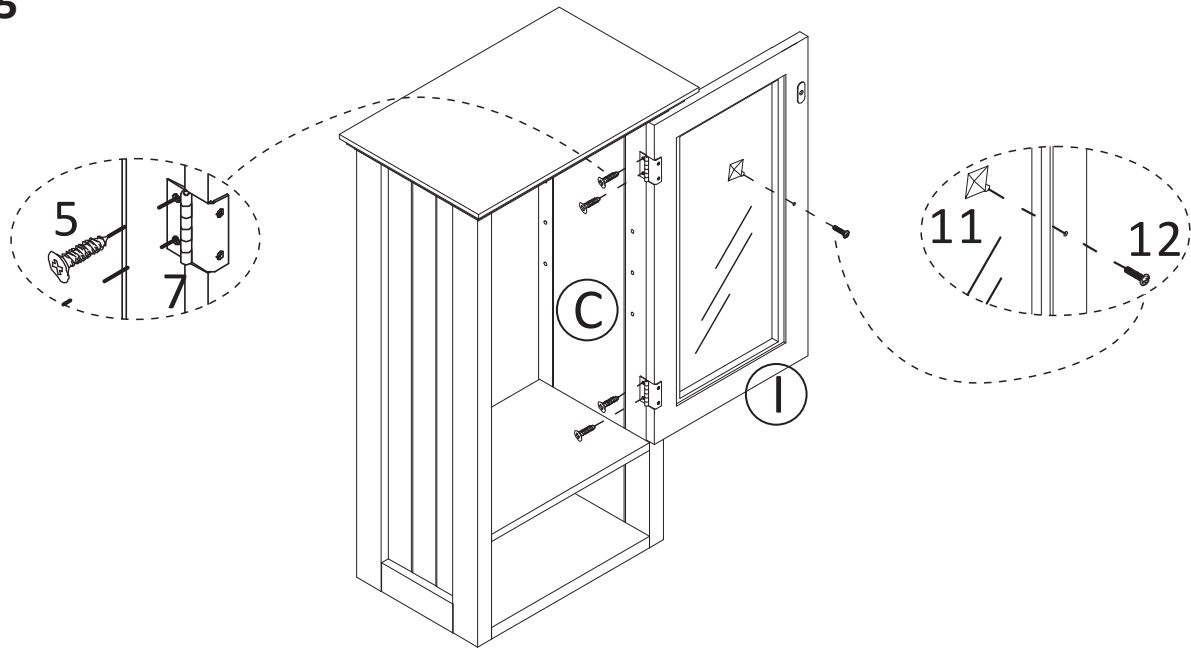


### Assembling the Cabinet Top

1. Attach the cabinet top (A) to both pre-assembled left side panel (B) and right side panel (C) by inserting four wood dowels (1) into the dowel holes on both tops of left side panel (B) and right side panel (C).
2. Insert four cam locks (4) into cam lock holes on left side panel (B) and right side panel (C) and rotate clockwise to secure cam bolts in place using a Phillips screwdriver.
3. Cover the cam locks with caps (15) on left side panel (B) and right side panel (C).



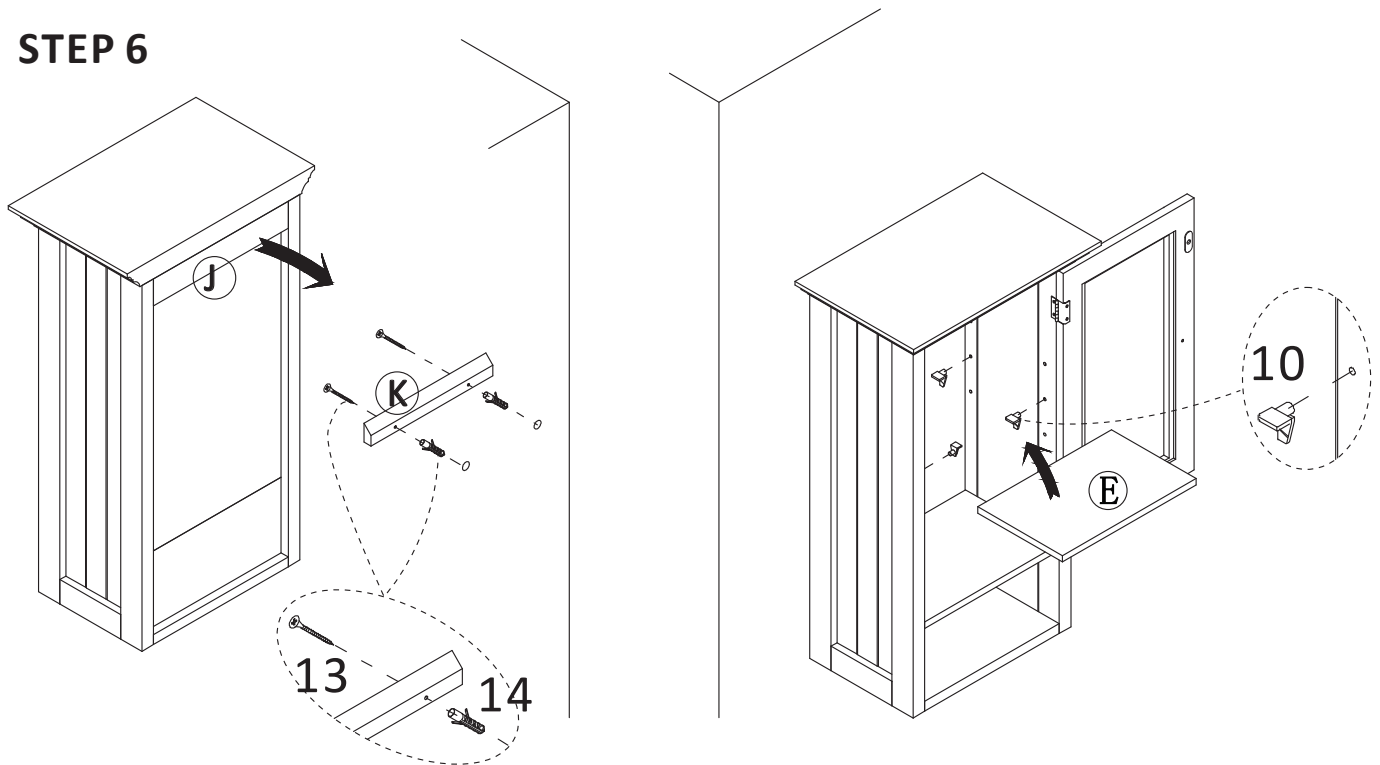
**STEP 5**



**Assembling the Door**

1. Attach the door (I) to the right side panel (C) by inserting four screws (5) through the holes on the door hinges and tighten.
2. Attach the handle (11) to the door (I) and insert one screw (12) through hole on the door and tighten to handle (11) using a Phillips screwdriver.

**STEP 6**



**Assembling the Rear Bottom Cross Bar and Adjustable Shelf**

1. Drill two holes in the wall where marked.
2. Insert two plastic anchors (14) into the holes. Using the two screws (13) to lock rear bottom cross bar (K) on the wall.
3. Hang the assembled cabinet on the rear bottom cross bar (K).
4. Insert four self supports (10) into holes in the cabinet on both side panels (B) and (C) at the same level.
5. Insert the adjustable shelf (E) into the cabinet on the top of the shelf supports.

**SIMPLIHOME™**  
— LIFE BY DESIGN —

WyndenHall™  
HOME DECOR  
brooklyn + max™

## WARRANTY

Thank you for purchasing a **Simpli Home – Wyndenhall – Brooklyn + Max** product. These products have been made to demanding, high-quality standards and are guaranteed for domestic use against manufacturing faults for a period of 12 months from the date of purchase. This warranty does not affect your statutory rights.

In case of any malfunction of your product (failure, missing parts, etc.) please contact us at our toll free service line at 1-866-518-0120 ext. 262 from 9 am to 4 pm, Monday to Friday, Eastern Standard Time or by email at [customerservice@simpli-home.com](mailto:customerservice@simpli-home.com)

We reserve the right to repair or replace the defective product, at its discretion.

This product is guaranteed for 12 months if used for normal purposes. Any warranty is invalid if the product has been overloaded or subject to neglect, improper use or an attempted repair by other than an authorized agent. Heavy-duty or daily professional/commercial usage are not guaranteed.

Due to continuous product improvement, we reserve the right to change the product specifications without prior notice.