

AXOR Starck
Handshower Holder
Finishes : **chrome** Part no. : **27515000**



Description

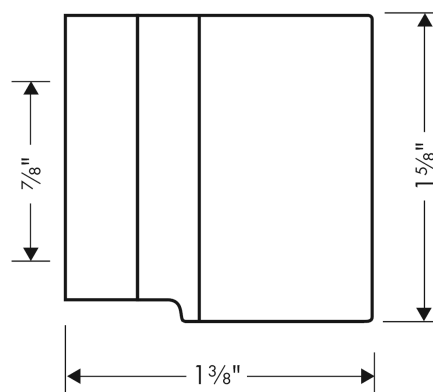
Features

- Must be used with hose with cylindrical nut
- Wall-mounted

Product image



Scale drawing

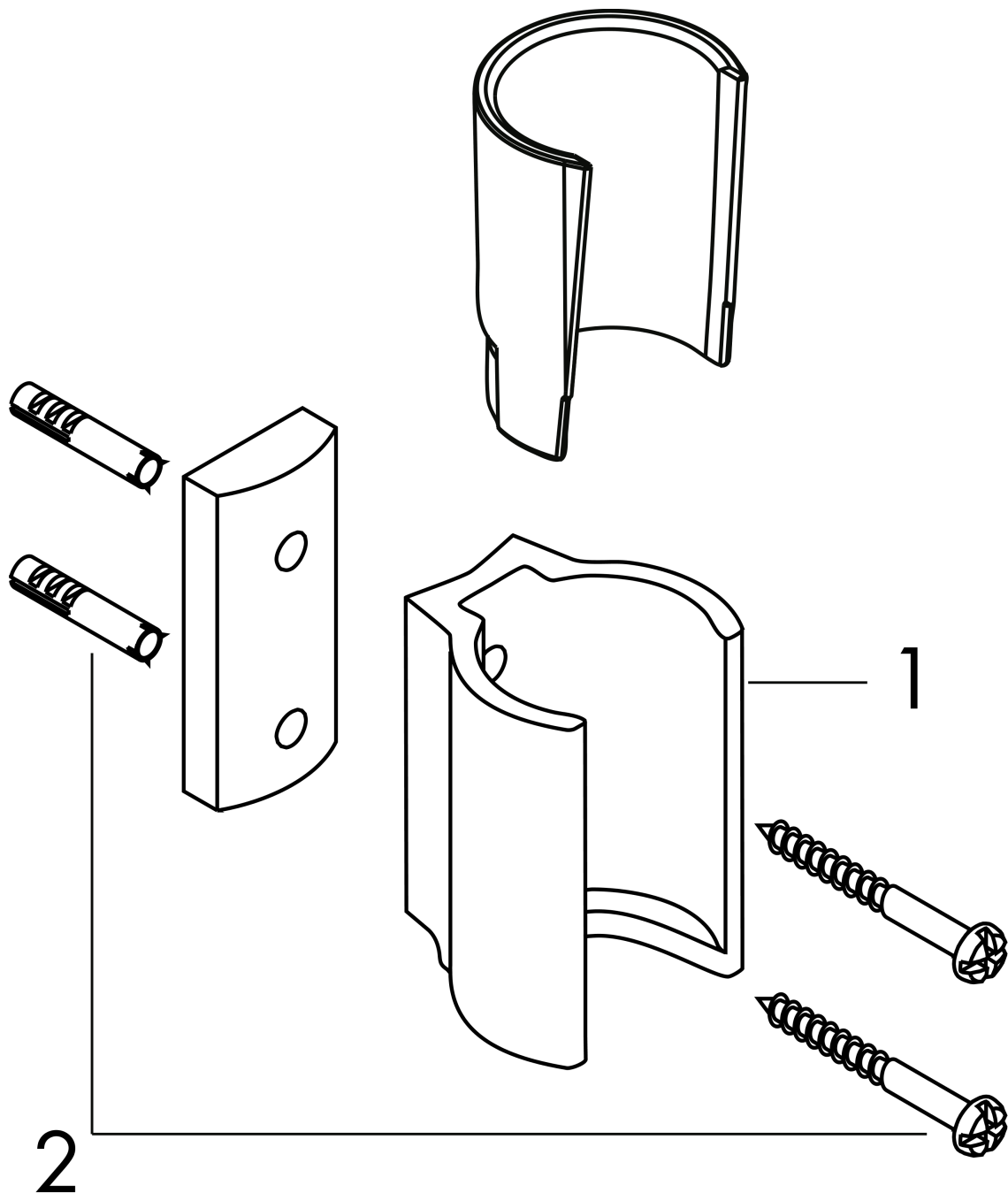


AXOR Starck
Handshower Holder
Finishes : **chrome** Part no. : **27515000**



Exploded drawing

Year of production: >07/11



AXOR Starck
Handshower Holder
 Finishes : **chrome** Part no. : **27515000**



Spare parts list

Year of production: >07/11

Pos.	Description	Part no.	PC	PU
1	shower holder, assy	96295000	0	1
2	mounting set	96179000	0	1