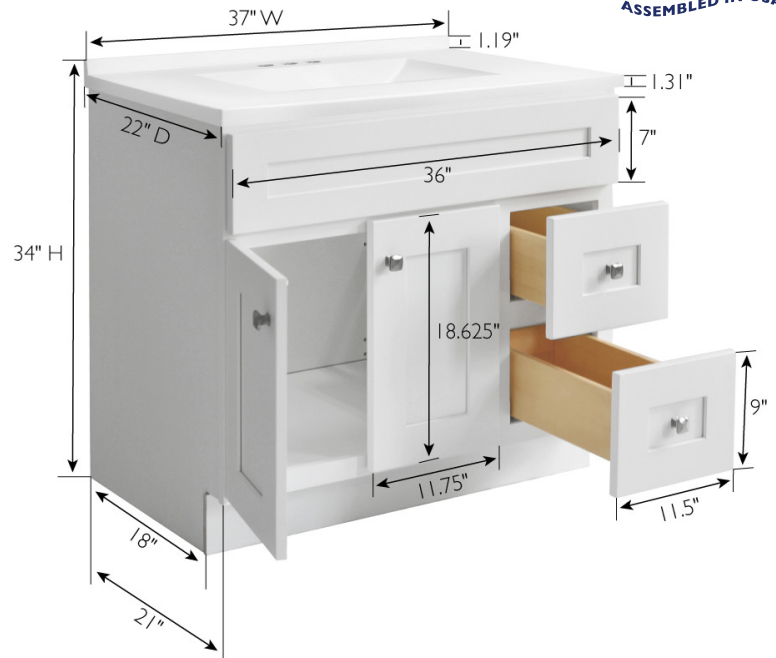


Brookings 2-Door, 2-Drawer Vanity with Camilla II Cultured Marble 4 in. Centerset Solid White Top, Assembled, 37x22, White Base



SPECIFICATIONS

MATERIAL CONSTRUCTION:	Wood/Cultured Marble
ASSEMBLY REQUIRED:	No
ASSEMBLED DIMENSIONS:	34" H x 37" L x 22" D
ASSEMBLED WEIGHT:	136.36 lbs.
TOOLS NEEDED FOR INSTALLATION:	100% Silicone
CONSTRUCTION TYPE:	Face Frame
HINGE STYLE:	Concealed
DOOR STYLE:	2 MDF Shaker Doors
DRAWER STYLE:	2 Solid Wood/MDF Drawers
GLIDE STYLE:	Soft Close
FAKE DWR STYLE:	N/A
DRAWER #1 DIMENSIONS:	8.31" L x 18" D x 5.12" H
DRAWER #2 DIMENSIONS:	8.31" L x 18" D x 5.12" H
DRAWER CONSTRUCTION:	Dove Tail

FACE FRAME MATERIAL:	Solid Wood
SIDES MATERIAL:	Plywood
BOTTOM MATERIAL:	Plywood
TOE KICK INSET WIDTH:	3"
BACK PANEL MATERIAL:	Plywood
BACK BRACE MATERIAL:	Solid Wood
FAUCET TYPE:	Lav Centerset
NUMBER OF MOUNTING HOLES:	3
BOWL MATERIAL:	Cultured Marble
BACK SPLASH INCLUDED:	Yes
COLOR:	Solid White
NUMBER OF BOWLS:	1
BOWL DIMENSIONS:	5.4" H x 19.2" W x 12.5" D
BOWL SHAPE:	Rectangle
SINK THICKNESS:	1.18"
MOUNTING TYPE:	Centerset
OVERFLOW HOLE:	Yes

WARRANTY:	1-Year limited warranty
TSCA TITLE IV COMPLIANT:	Yes
LEGAL FOR SALE IN CALIFORNIA:	Yes
PROP 65 HARMFUL MATERIAL:	Formaldehyde



TYPE:
JOB:
ORDER CODE:
APPROVALS: