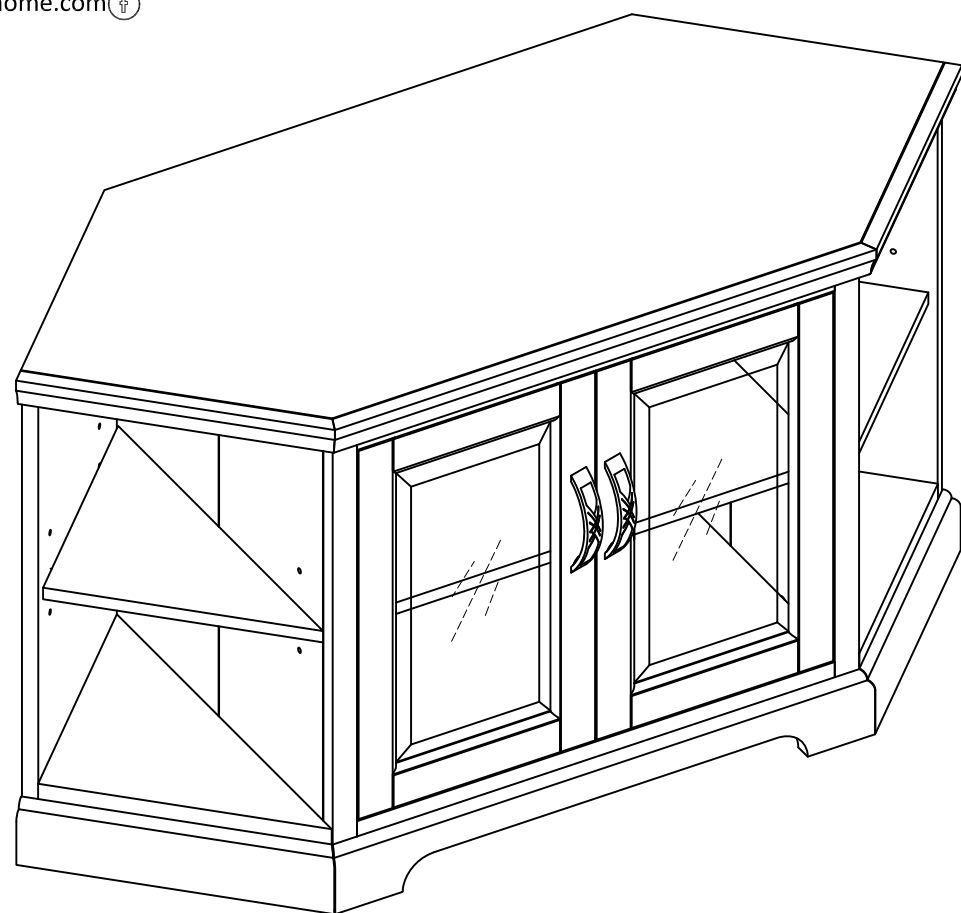


ITEM# 84287



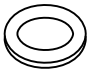
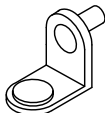


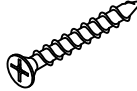

Corner TV Cart With Corner Open Display

Leick Home
SINCE 1910

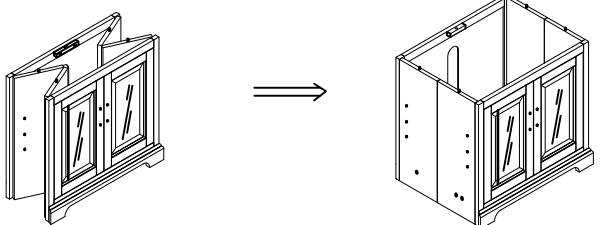
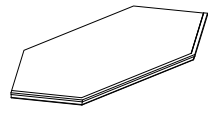
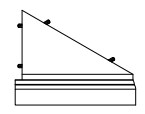
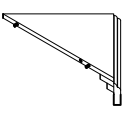


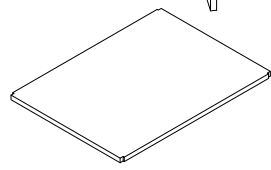
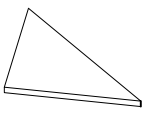
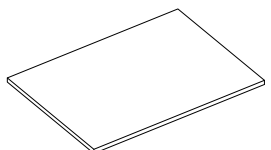
2219 S. 19th St.
Sheboygan, WI 53081
Ph: 920-451-4060
Fax: 920-451-4063
info@leickhome.com
www.leickhome.com



Hardware List

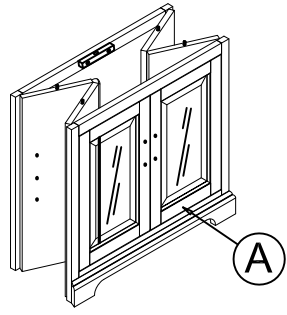
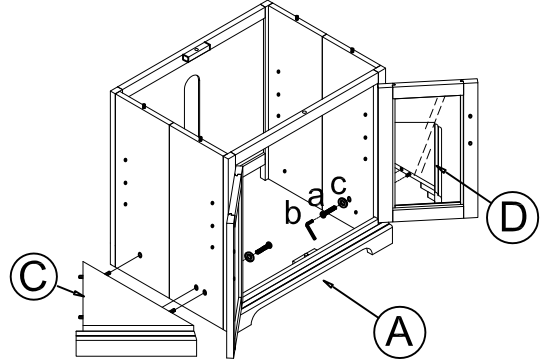
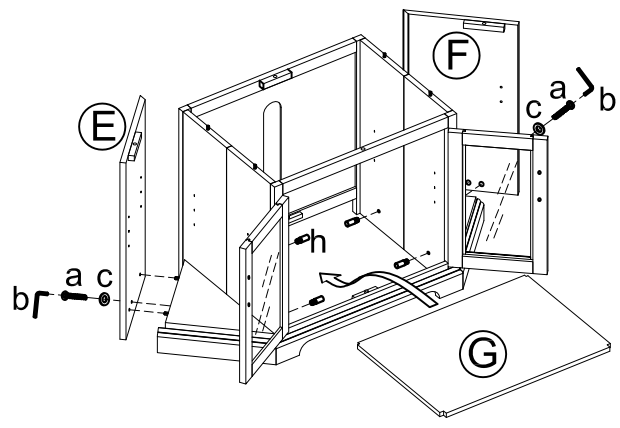
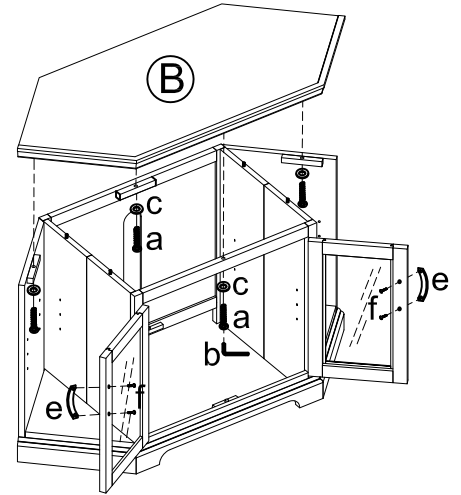
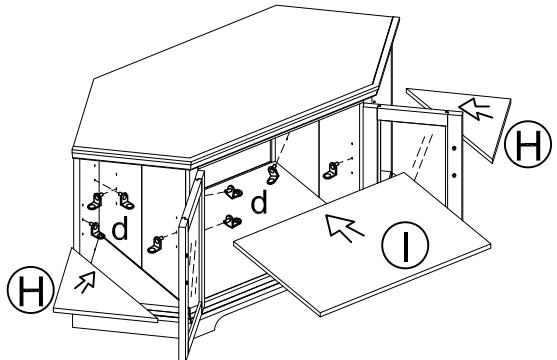
Item	Description	Qty
a	 Bolt 1/4" X 1-1/8"	8PCS
b	 Allen wrench	1PC
c	 Washer 1/4" X 12mm	8PCS
d	 Flat Shelf Supports	12PCS
e	 Door Pull	2PCS
f	 Machine screw for door pull 5/32" X 3/4"	4PCS
g	 Wood screw #8 X 1"	2PCS
h	 Rounded Shelf Supports	4PCS

Parts List

Item	Description	Qty
A	 Cabinet	1PC
B	 Top Panel	1PC
C	 Left Side Bottom Panel	1PC
D	 Right Side Bottom Panel	1PC
E	 Left Side Back Panel	1PC
F	 Right Side Back Panel	1PC
G	 Middle Bottom Panel	1PC
H	 Side Adjustable Shelf	2PCS
I	 Middle Adjustable Shelf	1PC

Assembly Instructions

Two person assembly recommended.

<p>step 1 Unfold Cabinet.</p> 	<p>step 2 Insert the side bottom panels and fasten with bolts.</p> 
<p>step 3 Screw-in four round shelf supports onto side panels, then insert the middle bottom panel. Insert the side back panel and fasten with bolts.</p> 	<p>step 4 Fasten the top with 4 bolts. DO NOT OVER TIGHTEN. Install the door pulls.</p> 
<p>step 5 Install the flat shelf supports and insert shelves.</p> 	<p>step 6 Fasten two side back panels with two screws into the cabinet.</p> 