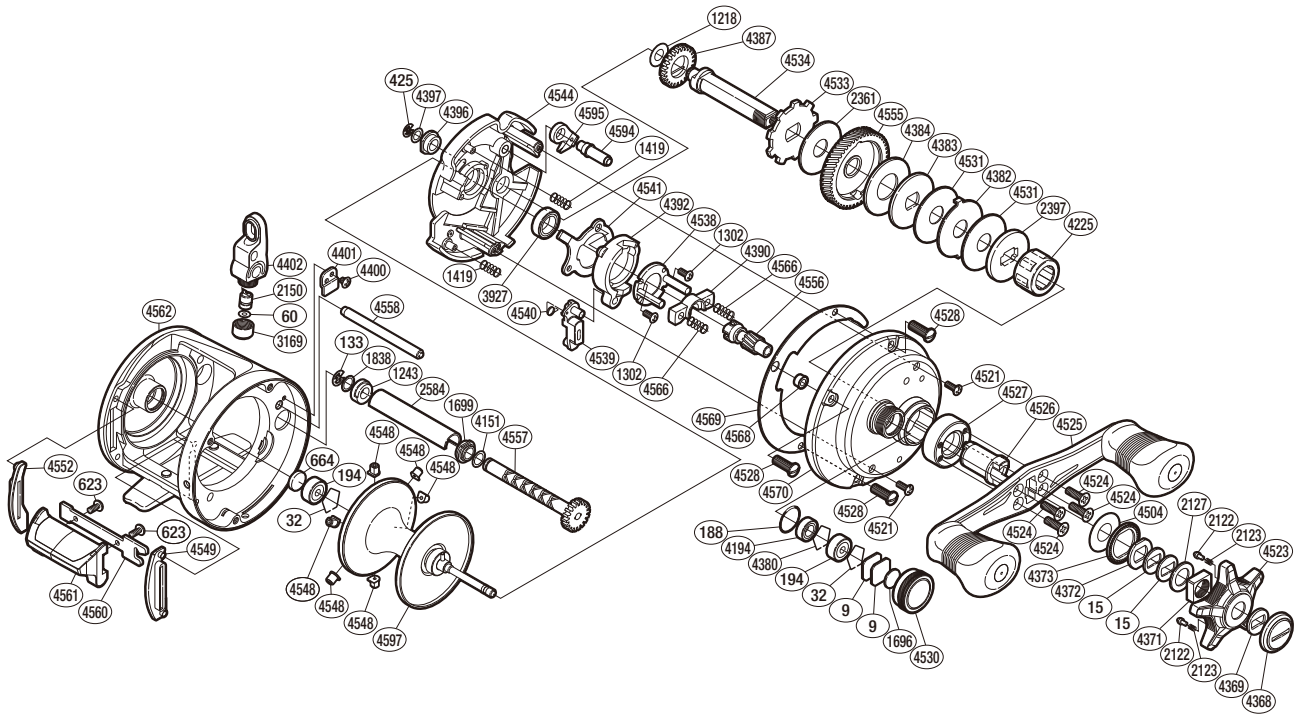


SHIMANO

CALCUTTA

CT-400D



(51RH318400U)

#	Part No.	Description	#	Part No.	Description	#	Part No.	Description
9	105N0	Spacer	4225	10F3C	Roller Clutch Bearing	4531	109SQ	Drag Washer
15	10D60	Drag Spring Washer	4368	10A6Y	Handle Bolt	4533	10D76	Anti-Reverse Ratchet
32	10GEW	Bearing Retainer	4369	10C6E	Handle Lock Spring	4534	105CR	Drive Shaft
60	10CFW	Spacer	4371	10A0A	Star Drag Nut	4538	10F42	Clutch Cam Retainer
133	105NJ	E Lock	4372	107QE	Drive Shaft Shield	4539	105ZS	Clutch Pawl
188	109EB	O Ring	4373	10J20	Star Drag Click Plate	4540	104CS	Clutch Pawl Spring
194	105BX	Ball Bearing	4380	1057X	Retainer	4541	10QLM	Clutch Plate
425	105NE	E Lock	4382	10LB8	Eared Washer	4544	10Q33	Set Plate
623	103C0	Screw	4383	10KZV	Key Washer	4548	10CMP	Brake Collar
664	1057S	Spacer B	4384	10CKQ	Drag Washer	4549	1097C	Clutch Bar Guide B
1218	105MY	Spacer	4387	10J70	Idle Gear	4552	10ASS	Clutch Bar Guide A
1243	104SX	Worm Bushing B	4390	1046S	Yoke	4555	10CR2	Drive Gear
1302	103N8	Screw	4392	10KSB	Clutch Cam	4556	10CTZ	Pinion Gear
1419	104BM	Spring	4396	10BPD	Drive Shaft Bushing	4557	10KKM	Worm Shaft
1696	10896	Cast Control Spacer	4397	10GCZ	Washer	4558	10GUN	Level Wind Guide
1699	10NDN	Worm Bushing A	4400	10MP8	Screw	4560	10AYH	Clutch Plate B
1838	10D66	Spacer	4401	10FTC	Worm Bushing Retainer	4561	10CGJ	Quick-Fire II Clutch Bar
2122	10BT0	Click Pin	4402	10NYP	Line Guide	4562	10JNJ	One-Piece Frame
2127	10J1N	Star Drag Spacer	4504	10GF8	Washer	4566	104BE	Yoke Spring
2150	10FFX	Line Guide Pawl	4521	10MQ1	Screw	4568	10C41	Screw Collar
2361	10CJC	Drag Washer	4523	10AX7	Star Drag	4569	108D1	Side Plate Support
2397	10D3V	Key Washer	4524	10MLB	Screw	4570	10J31	Right Side Plate
2584	10HVK	Level Wind Guard	4525	10CF4	Handle Assembly	4594	10PCY	Anti-Reverse Pawl Pin
3169	10FJG	Pawl Cap	4526	10BN0	Roller Clutch Inner Tube	4595	10MW1	Anti-Reverse Pawl
3927	10EX8	Ball Bearing	4527	10J52	Handle Plate	4597	10L43	Spool Assembly
4151	10G8D	Washer	4528	10A6X	Screw	4931	10988	Click Spring
4194	105BP	Ball Bearing	4530	10KDW	Cast Control Cap			

Please note that the number of adjusting washers may not be the same as shown in the exploded views.
(Adjustment will vary with each individual product.)

(241120)_002