

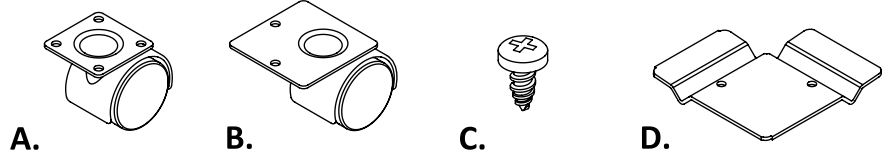
Caster Kit, Non-Swivel

Assembly Instructions

BEFORE YOU BEGIN

Open, identify, and count all parts prior to assembly.

- A. (2) Non-swivel Front Caster
- B. (2) Swivel Rear Caster
- C. (8) Screw
- D. (2) Caster Bracket

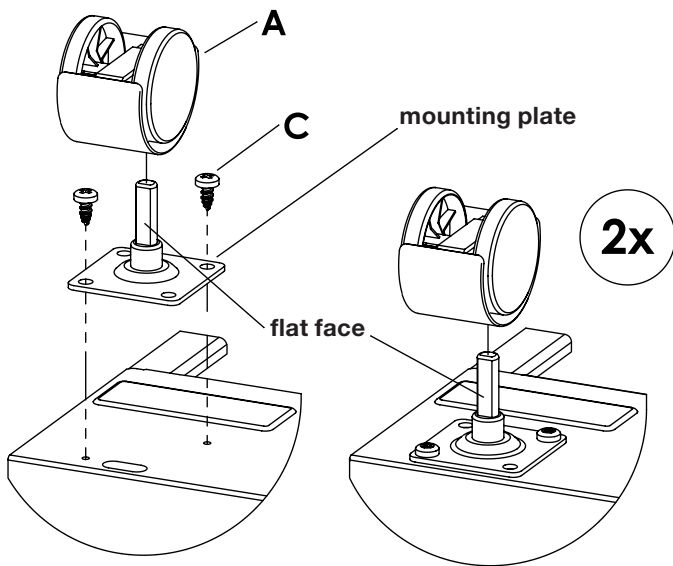


STEP 1 - Attach Front Casters:

Pull Non-Swivel Front Caster (A) off mounting plate.

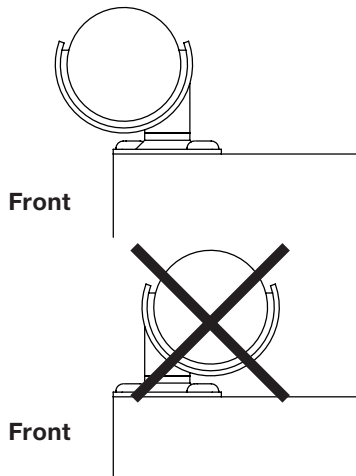
Align and install the Front Caster Mounting plate (A) with Screws (C) using a Phillips screwdriver. Fully tighten all screws.

Push non-swivel caster onto mounting plate (Figure 3)



IMPORTANT!: Non-swivel caster must extend past the front of the cabinet for proper function and safety.

FIGURE 3: Non-swivel caster



STEP 2 - Attach Rear Casters:

Position v-bends of Caster Bracket (D) under cabinet rims.

Align screw holes in rear caster mounting plate with screw holes in Caster Bracket (D) ensuring the mounting plate covers the bottom corner of the cabinet. (Figure 5)

Connect the Rear Caster (B) and the Caster Bracket (D) with Screws (C) using a Phillips screwdriver. Fully tighten all screws.

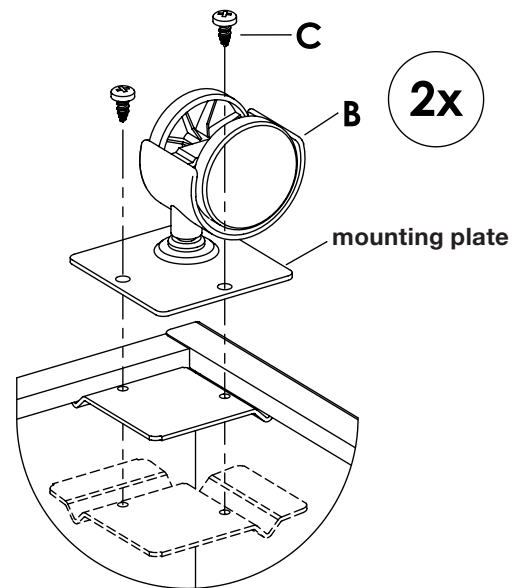
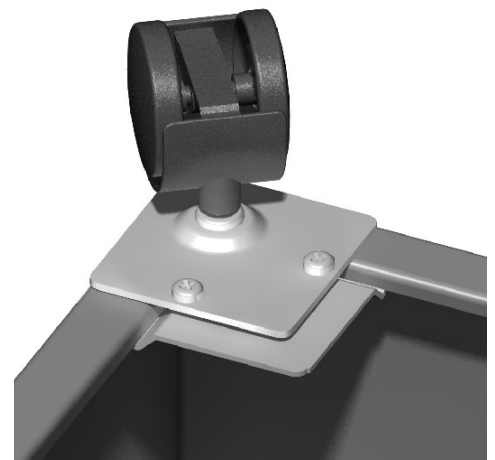
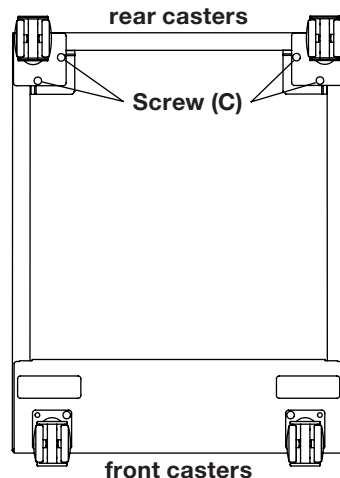


FIGURE 5: Close-up of rear caster assembly

FIGURE 4: Complete assembly



WARNING: Improper installation of casters can increase tip-over risk and result in injury