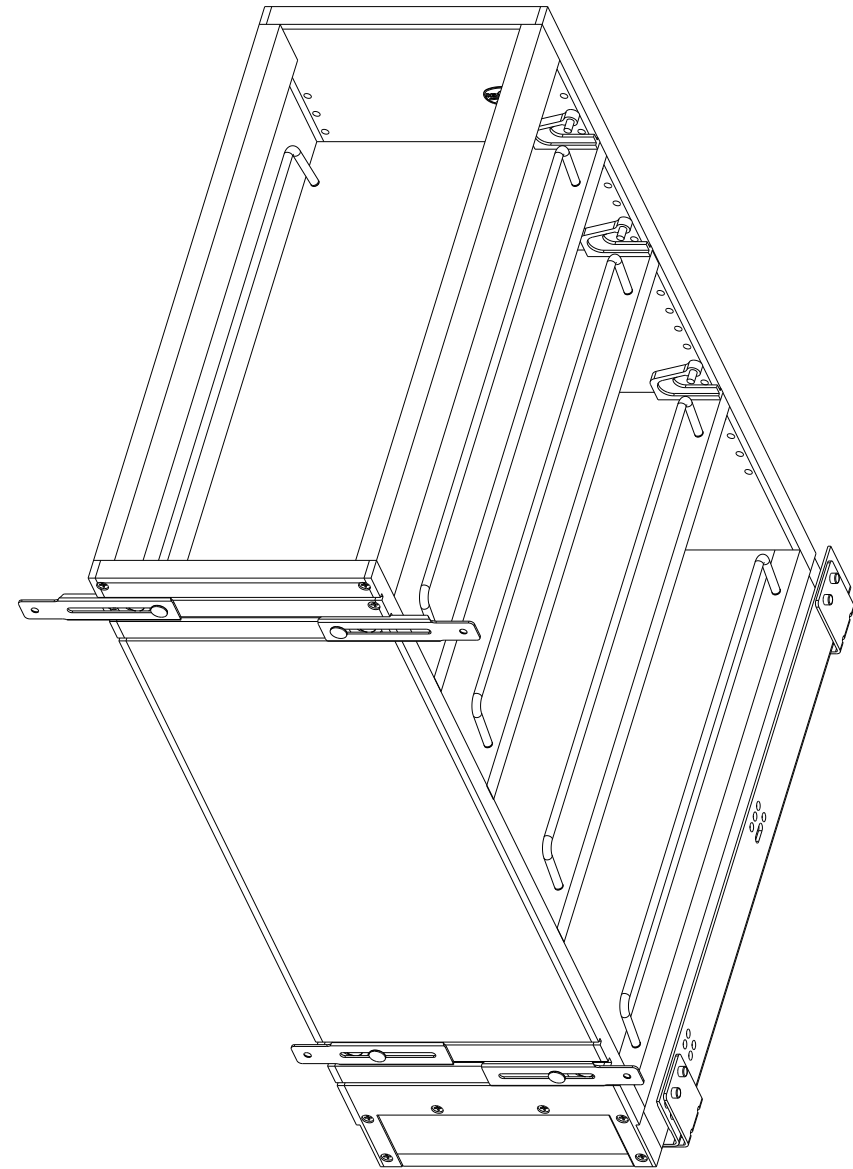


CUSTOMER DRAWING

This drawing is the property of Rev-A-Shelf (RAS) and is disclosed in confidence to the extent its subject matter is original to RAS. Any vendor receiving this drawing from RAS shall hold and use this drawing for the sole benefit of RAS and shall not disclose it to, or use or reproduce it for any third party, or perform any act adverse to the interest of RAS with respect to this drawing without the express written permission of RAS. Vendors shall not revise any physical, dimensional or performance characteristic unless authorized by Rev-A-Shelf Engineering.

REV.	DATE	BY	DESCRIPTION OF CHANGE

INCH [MM]	AMERICAN PROJECTION 	BY	DATE	REV-A-SHELF, INC.	
		DRAWN	KRR	11-19-14	SIZE B
TOLERANCES		MATERIAL	DRAWING NO.		
MAT.	DEC.		448-BC19SC-8C_CUST		
(WOOD)	.XX ±.03 [.8mm]	FINISH	SCALE		
(OTHER)	.XX ±.02 [.5mm]		0.200		
(ALL)	.XXX ±.005 [.13 mm]	PART NO.		SHEET OF	
FRACTIONS	±1/32 [.8 mm]	448-BC19SC-8C		1 OF 2	



PART DIMENSIONS		
	MIN	MAX
WIDTH	8.39	
DEPTH	19.67	
HEIGHT	25.50	
WEIGHT		
DIAMETER		
RADIUS		
CONTAINER CAPACITY		
CONTAINER UOM		

MIN CABINET OPENING	
WIDTH	8.50
DEPTH	19.75
HEIGHT	25.75

PRODUCT MAX WEIGHT RATING

SLIDE SPECIFICATIONS				
SLIDE TYPE	BLUM TANDEM	SLIDE EXTENSION	FULL	MAX WEIGHT RATING
SLIDE CLOSING	SELF/SOFT	SLIDE LENGTH	18" [457]	
SLIDE MOUNTING	SIDE	SLIDE FINISH	ZINC	135 LB

CUSTOMER DRAWING

This drawing is the property of Rev-A-Shelf (RAS) and is disclosed in confidence to the extent its subject matter is original to RAS. Any vendor receiving this drawing from RAS shall hold and use this drawing for the sole benefit of RAS and shall not disclose it to, or use or reproduce it for any third party, or perform any act adverse to the interest of RAS with respect to this drawing without the express written permission of RAS. Vendors shall not revise any physical, dimensional or performance characteristic unless authorized by Rev-A-Shelf Engineering.

REV.	DATE	BY	DESCRIPTION OF CHANGE

INCH [MM]	AMERICAN PROJECTION 	DRAWN	BY	DATE	REV-A-SHELF, INC.
			KRR	11-19-14	
					SIZE B
					REDUCED DEPTH 8" 448
TOLERANCES			MATERIAL	DRAWING NO.	SCALE
MAT.	DEC.	ANGLES		448-BC19SC-8C_CUST	
(WOOD) .XX ±.03 [.8mm]		±1/2°	FINISH	PART NO.	SHEET OF
(OTHER) .XX ±.02 [.5mm]				448-BC19SC-8C	
(ALL) .XXX ±.005 [.13 mm]					
FRACTIONS ±1/32 [.8 mm]					