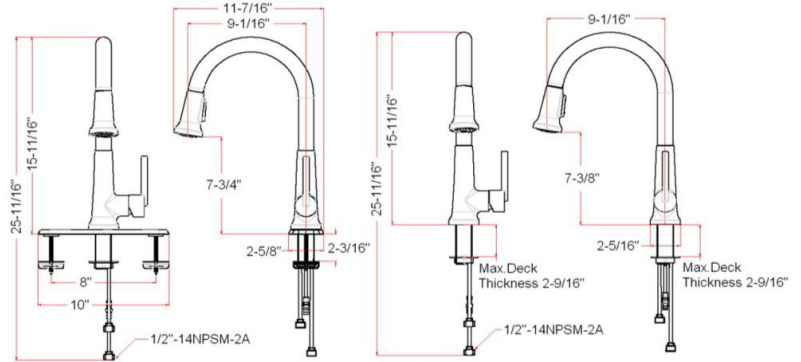


Geneva Single-Handle Pull-Down Sprayer Kitchen Faucet Satin Nickel



SPECIFICATIONS

| | | | |
|------------------------|-------------------|-----------------------------|------------------------------|
| MATERIAL: | Hybrid | FLOW RATE: | 1.8 GPM |
| HANDLE MATERIAL: | Zinc | LOW FLOW: | Yes |
| SPOUT MATERIAL: | N/A | HANDLES - CONFIGURATION: | Single Handle |
| CARTRIDGE MATERIAL: | Ceramic | HANDLE REACH: | 3.94" |
| WATERWAY MATERIAL: | Hybrid | SPRAYER INCLUDED: | No |
| SPRAYER MATERIAL: | Plastic | SPRAYER HOSE LENGTH: | 59 cm |
| DRAIN MATERIAL: | N/A | SPRAYER TYPE: | Pull-Down |
| FAUCET TYPE: | Kitchen Pull-Down | SOAP DISPENSER INCLUDED: | No |
| MOUNTING TYPE: | Deck Mount | QUICK ATTACH INCLUDED: | Yes |
| MOUNTING HOLES: | 1 | DIMENSIONS WITH DECK PLATE: | 10" L x 9.1" W x 15.7" D |
| MAX DECK THICKNESS: | 2.2" | WEIGHT WITH DECK PLATE: | 5.02 lbs. |
| DECK PLATE - INCLUDED: | N/A | DIMENSIONS W/O DECK PLATE: | 4.61" L x 11.3" W x 15.28" D |
| SPOUT REACH: | 9.06" | WEIGHT W/O DECK PLATE: | 3.75 lbs. |
| SPOUT HEIGHT: | 7.68" | PVD FINISH: | Yes |

| | |
|-------------------------|-------------------------|
| WARRANTY: | 5-Year limited warranty |
| UPC CERTIFICATION NAME: | cUPC |
| ANSI CERTIFICATION: | NSF/ANSI 372 |
| WATERSENSE: | No |
| ASME: | No |
| AB-1953 LEAD FREE: | Yes |
| ADA COMPLIANT: | Yes |



TYPE:
JOB:
ORDER CODE:
APPROVALS: