

# 360° Cool Mist Ultrasonic Humidifier

## Soothing Cool Mist Humidifier

IH304, IH348, IH414 User Guide

READ ALL INSTRUCTIONS BEFORE ASSEMBLY AND USE. KEEP INSTRUCTIONS FOR FUTURE REFERENCE.

### CAUTION

- Adult assembly is required. Keep small parts away from children.

### WARNING

When using electrical appliances, basic precautions should always be followed to reduce the risk of fire, electric shock and injury to person, including the following:

- Use appliance only as described in this manual. Any other use not recommended by the manufacturer may cause fire, electric shock, or injury to persons. The use of attachments not recommended or sold by the manufacturer may cause hazards. **DO NOT** use outdoors.
- To avoid fire or shock hazard, plug the appliance directly into a 120V AC electrical outlet. **DO NOT** plug in the cord with wet hands.
- Keep the cord out of heavy traffic areas. To avoid fire hazard, **NEVER** put the cord under rugs or near heat registers.
- **DO NOT** operate any appliance with a damaged cord or plug, after the appliance malfunctions, or if it has been dropped or damaged in any manner. Return appliance to manufacturer for examination, electrical or mechanical adjustment, or repair.
- **DO NOT** attempt to repair or adjust any electrical or mechanical functions on this unit. Doing so will void your warranty. The inside of the unit contains no user serviceable parts. All servicing should be performed by qualified personnel only.
- Humidifier should be unplugged when not in use.
- **DO NOT** place humidifier near heat sources such as stoves, radiators, and heaters. **DO** locate your humidifier on an inside wall near an electrical outlet. The humidifier should be at least 4 inches (10 cm) away from the wall for best results. **DO NOT** allow the mist outlets to directly face the wall. Moisture could cause damage, particularly to wallpaper.

### WARNING!

**STRANGULATION HAZARD!** Children have **STRANGLED** in cords. **NEVER** place cords within 3 feet of the crib. Do not use with extension cord.

- **NEVER** place humidifier in an area where it is accessible to children. **NEVER** use humidifier in a closed room, particularly where a child may be sleeping, resting, or playing (a closed room may result in excessive humidity).
- **DO NOT** attempt to refill humidifier without first unplugging the unit from its electrical outlet. Failure to heed this warning may cause personal injury. Be sure to unplug the unit by pulling on the plug and not the cord. **NEVER** tilt, move, or attempt to empty unit while it is operating. Shut off and unplug before removing the water tank and moving the unit.
- **DO NOT** block air inlet or outlet while unit is running.
- Always place humidifier on a firm, flat, level surface. A waterproof mat or pad is recommended for use under the humidifier. **NEVER** place it on a rug or carpet, or on a finished floor that may be damaged by exposure to water or moisture. To prevent damage to surfaces, **DO NOT** place humidifier under overhanging surfaces.
- **DO NOT** use humidifier in an area where humidity level is in excess of 50%. Use a hygrometer, available at your local retailer, to measure the humidity. Turn humidifier off if excessive humidity occurs.
- **DO NOT** pour water in any openings other than the water tank.
- **NEVER** place base under water flow or immerse in liquids.
- **NEVER** operate unit without water in the tank.
- **NEVER** touch exposed metal diaphragm in base after use. Metal will be HOT.
- This humidifier requires daily and weekly maintenance to operate appropriately. Refer to daily and weekly cleaning procedures. **Use only cleaners recommended by the manufacturer.**
- **NEVER** drop or insert any object into any openings.

## FCC Information

### Compliance Information Statement

This device complies with 47 CFR Part 18 of the FCC rules. These rules are designed to provide protection against harmful interference with other devices. If this device causes interference with other devices, separate this product and the other device. Conduct only the user maintenance found in the instruction manual.

## Consumer Information

NOTE: If moisture forms on the walls or windows of the room, turn off the humidifier. The room already has plenty of humidity and additional moisture may cause damage.

- Do not return this product to the place of purchase. If any parts are missing, visit us at [www.safety1st.com](http://www.safety1st.com) to chat with us there or to view videos. You can also text us at (812) 652-2525 or call Consumer Care at (800) 544-1108. Have ready the model number (IH304, IH348, IH414) and date code (manufacture date located on product label).

## Know Your Unit

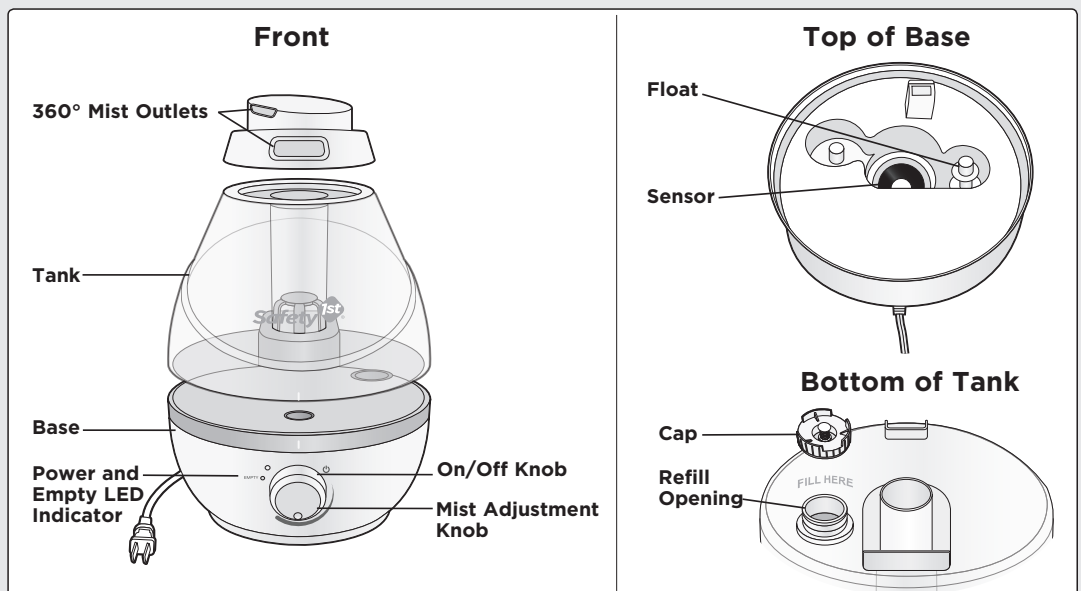
### How Does it Work?

Humidifiers provide comfort by adding moisture to dry indoor air. The *Ultrasonic Cool Mist Nursery Humidifier* uses ultrasonic technology. A ceramic diaphragm silently vibrates at a very high frequency to create droplets, producing a cool fog or mist.

The humidifier should be placed with the mist outlets directed away from any nearby walls or furniture.

NOTE: The recommended humidity level is between 35%-50%. A humidity level below 20% can be unhealthy and uncomfortable.

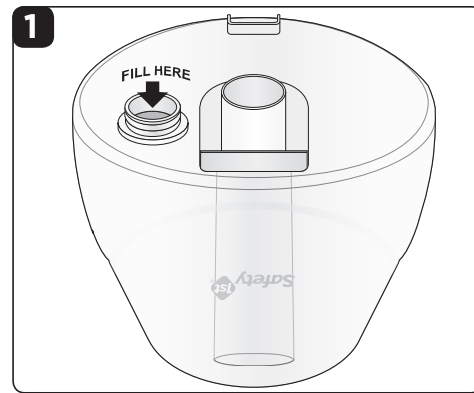
Under normal conditions, it is preferable to use a lower setting on this humidifier. The mist will not be visible at a low setting. Only when the humidity level is extremely low should the higher settings be used. A white mist may be visible at higher settings and there is an increased risk of moisture damage, particularly to objects near the humidifier.



## To Use

### **! WARNING** Shut off and unplug humidifier before removing tank from base.

- 1 Ensure the humidifier is switched OFF.
  - 2 **Select a location:** Choose a flat and level surface 4 inches away from the wall. DO NOT place on a finished floor or near furniture which can be damaged by too much moisture or water. Place on a moisture-resistant surface.
  - 3 **Remove and fill tank:** Lift tank off base and bring tank to the sink. Remove cap on the bottom of tank and fill with clean, cool water, ideally distilled (**Figure 1**). Additives are NOT recommended. Replace cap, turn tank so that cap faces down, and replace tank on the base. The tank will immediately begin to empty into the base.
- NOTE:** Use both hands when carrying full tank of water. It is normal for the water level in the tank to decrease once full tank has been replaced on base. The water from the tank has simply filled up the empty base.
- 4 Plug into a 120VAC electrical outlet.
  - 5 **Turn on:** Turn knob on front of humidifier until power light glows.
  - 6 **Adjust mist direction:** Rotate the 360° mist outlets and set the desired output level.
  - 7 **Turn off:** To manually shut off, turn knob on front of humidifier until power light turns off. When water level is low, mist will automatically shut off.



## Care and Maintenance

NOTE: This is an electrical appliance and requires attention when in use. Follow the recommended guidelines to help prevent micro-organisms from growing in the humidifier.

### STORAGE

- 1 Clean, rinse and thoroughly dry as directed. DO NOT leave any water in the unit as this may render the unit inoperable for the following season.
- 2 Place in the original carton and store in a cool, dry place.

### WEEKLY MAINTENANCE

#### Remove Mineral Buildup/Scale:

- 1 **Turn off unit and remove tank:** Ensure humidifier is off and unplugged, then remove tank and drain water from tank into sink. DO NOT place base in sink.
- 2 **Base unit:** Scale build-up on electronic sensor and float. Once sensor has had time to cool, wipe isopropyl alcohol or vinegar directly on sensor and/or float with a paper towel, cloth or safety swab to clean. DO NOT attempt to remove float to clean.
- 3 **Tank:** Partially fill with one 8-ounce cup of undiluted white vinegar. Leave in the tank for at least 30 minutes, occasionally swishing the vinegar around inside the tank, then gently clean all interior tank surfaces with a soft brush. Wipe the exterior of the tank with a cloth dampened with undiluted white vinegar. Rinse tank thoroughly with clean water to remove the mineral and vinegar residue. Rinse a second time to ensure that all residue has been removed.

#### Disinfect Tank:

- 1 Fill tank 1/2 full with water and 1/2 teaspoon of chlorine bleach. DO NOT place tank on base unit while it contains the bleach/water.
- 2 Let the solution stand for 30 minutes, swishing every few minutes. Wet all surfaces.
- 3 Carefully empty the tank and rinse with warm water until you can not detect any bleach smell. Dry with a clean cloth or paper towel.

## One (1) Year Limited Warranty

Dorel Juvenile Group, Inc., warrants to the original purchaser that this product (Ultrasonic Cool Mist Nursery Humidifier), is free from material and workmanship defects when used under normal conditions for a period of one (1) year from the date of purchase. Should the product contain defects in material or workmanship Dorel Juvenile Group, Inc., will repair or replace the product, at our option, free of charge. Purchaser will be responsible for all costs associated with packaging and shipping the product to Dorel Juvenile Group Consumer Relations Department at the address noted on the front of this document and all other freight or insurance costs associated with the return. Dorel Juvenile Group will bear the cost of shipping the repaired or replaced product to the purchaser. Product should be returned in its original package accompanied by a proof of purchase, either a sales receipt or other proof that the product is within the warranty period. This warranty is void if the owner repairs or modifies the product or the product has been damaged as a result of misuse.

This warranty excludes any liability other than that expressly stated previously, including but not limited to, any incidental or consequential damages.

SOME STATES DO NOT ALLOW THE EXCLUSION OR LIMITATION OF INCIDENTAL OR CONSEQUENTIAL DAMAGES, SO THE ABOVE LIMITATION OR EXCLUSION MAY NOT APPLY TO YOU.

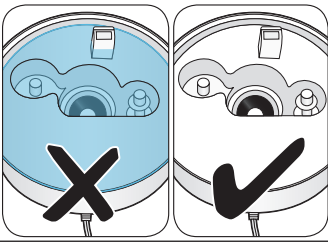



THIS WARRANTY GIVES YOU SPECIFIC LEGAL RIGHTS, AND YOU MAY ALSO HAVE OTHER RIGHTS THAT MAY VARY FROM STATE TO STATE.

## Troubleshooting

### Problem 1:

- **IF MIST OUTPUT IS MINIMAL OR NOT VISIBLE**, check for the following causes. Retry the humidifier after trying each action below:

### **! WARNING** Shut off and unplug humidifier before removing tank from base.

Cause	Action
<ul style="list-style-type: none"> <li>• Water level in base reservoir is too high</li> </ul> 	<p>Empty all water out of the humidifier base and replace tank. Ensure tank is SECURED and LEVEL in base with no gap visible between base and tank.</p> <p>Note: any remaining water in reservoir should be emptied each time tank is re-filled.</p> <p>Check out our Helpful Hints video here for step-by-step instructions: <a href="https://youtu.be/239EXoHL72s">https://youtu.be/239EXoHL72s</a></p>
<ul style="list-style-type: none"> <li>• Humidifier is at low setting</li> </ul> 	<ul style="list-style-type: none"> <li>• It is normal for mist not to be visible at lower settings. If you can see the mist when you turn the wheel to a higher setting, there is no issue.</li> </ul>
<ul style="list-style-type: none"> <li>• Indicator light on front is red</li> </ul> 	<ul style="list-style-type: none"> <li>• Water tank is empty. Shut off and unplug humidifier and refill water tank. Make sure to empty any remaining water in base before replacing tank.</li> </ul>
<ul style="list-style-type: none"> <li>• Indicator light on front does not illuminate</li> </ul> 	<ul style="list-style-type: none"> <li>• Ensure that humidifier is plugged in and powered on.</li> </ul>

Problems	Causes	Actions
<ul style="list-style-type: none"> <li>• Unit does not turn on</li> </ul>	<ul style="list-style-type: none"> <li>• Unit is not plugged in or tank is not seated properly</li> </ul>	<ul style="list-style-type: none"> <li>• Plug in power cord or re-seat tank</li> </ul>
<ul style="list-style-type: none"> <li>• White powder coming out of humidifier</li> </ul>	<ul style="list-style-type: none"> <li>• High setting (mist can look like white powder)</li> <li>• Some chemicals used in safe water treatment could become white powder as the water vaporizes. This is not a humidifier malfunction.</li> </ul>	<ul style="list-style-type: none"> <li>• Adjust the setting to reduce mist output</li> <li>• Use distilled or filtered water instead of tap water</li> </ul>
<ul style="list-style-type: none"> <li>• Dampness in rooms on walls or windows</li> </ul>	<ul style="list-style-type: none"> <li>• High setting</li> </ul>	<ul style="list-style-type: none"> <li>• Turn unit off or adjust the setting to reduce mist output</li> </ul>
<ul style="list-style-type: none"> <li>• Unit turns on and off</li> </ul>	<ul style="list-style-type: none"> <li>• Tank is almost empty</li> <li>• The float inside base unit is dirty</li> <li>• Gasket in bottom of tank is dirty</li> <li>• Humidifier is not on a level surface so float is not able to operate properly</li> </ul>	<ul style="list-style-type: none"> <li>• Refill tank</li> <li>• Clean float (see Care &amp; Maintenance)</li> <li>• Clean gasket (see Care &amp; Maintenance)</li> <li>• Put humidifier on a level surface and refill tank</li> </ul>
<ul style="list-style-type: none"> <li>• Bubbles in the water or a gurgling sound</li> </ul>	<ul style="list-style-type: none"> <li>• Normal operation. As water enters reservoir in base, air is displaced and creates bubbles in tank and possibly a gurgling sound.</li> </ul>	<ul style="list-style-type: none"> <li>• No action necessary</li> </ul>
<ul style="list-style-type: none"> <li>• Water leakage</li> </ul>	<ul style="list-style-type: none"> <li>• Water level in base reservoir may be too high.</li> <li>• Product may have been mishandled.*</li> </ul>	<ul style="list-style-type: none"> <li>• See first diagram and corrective actions above under "Problem 1."</li> <li>• Discard humidifier, as it cannot be repaired</li> </ul>

Question	Answer
<ul style="list-style-type: none"> <li>• What are the variables that affect run time?</li> </ul>	<ul style="list-style-type: none"> <li>• The estimated run time for this humidifier is based on average room conditions and is dependent on numerous variables such as: <ul style="list-style-type: none"> <li>- Air exchange in the room.</li> <li>- Room construction where the humidifier is placed.</li> <li>- Temperature of the room.</li> <li>- Humidity levels in the room.</li> <li>- Movement of occupants and the opening and closing of doors in the room.</li> <li>- Home furnishings in the room.</li> </ul> </li> </ul>
<ul style="list-style-type: none"> <li>• How do I remove film on the tank?</li> </ul>	<ul style="list-style-type: none"> <li>• See "Disinfect Tank" section. Regular cleaning is recommended.</li> </ul>
<ul style="list-style-type: none"> <li>• How can I extend run time?</li> </ul>	<ul style="list-style-type: none"> <li>• Run your unit on the lowest setting.</li> <li>• Fill tank all the way full and place on the base. Let water empty into the base until it stops bubbling, then refill and re-seat tank again. This ensures maximum water capacity and will extend run time.</li> </ul>

\* Each unit was tested after production and confirmed to be free of leaks.

**Humidificador de niebla fresca ultrasónico de 360°**  
**Humidificador de niebla fresca calmante**

IH304, IH348, IH414 Guía para el usuario

LEA TODAS LAS INSTRUCCIONES ANTES DE ENSAMBLAR Y UTILIZAR DEL MOISÉS. GUARDE ESTAS INSTRUCCIONES PARA SU USO FUTURO.

**⚠ PRECAUCIÓN**

- Se requiere el armado por parte de un adulto. Mantenga las piezas pequeñas fuera del alcance de los niños.

**⚠ ADVERTENCIA**

Quando use aparatos electrodomésticos, debe siempre tomar precauciones básicas para reducir el riesgo de incendios, choques eléctricos y lesiones a personas, incluidas las siguientes:

- Utilice el aparato electrodoméstico solamente como se describe en este manual. Cualquier otro uso no recomendado por el fabricante puede causar incendios, choques eléctricos o lesiones personales. El uso de accesorios no recomendados o vendidos por el fabricante puede resultar peligroso. **NO UTILIZAR** en exteriores.
- Para evitar riesgos de incendio o choques eléctricos, enchufe el electrodoméstico directamente en una toma de corriente de 120 V CA. **NO** enchufe el cable con las manos mojadas.
- Mantenga el cable fuera de las zonas con mucho tránsito. Para evitar riesgos de incendio, **NUNCA** coloque el cable debajo de alfombras o cerca de salidas de calefacción.
- **NO** opere ningún aparato electrodoméstico que tenga el cable o el enchufe dañado, que haya tenido un desperfecto, o que se haya caído o dañado de algún modo. Devuelva el aparato electrodoméstico al fabricante para su revisión, ajuste eléctrico o mecánico, o reparación.
- **NO** intente reparar o ajustar ninguna función eléctrica o mecánica de esta unidad. Si lo hace, anulará la garantía. El interior de la unidad no contiene piezas que puedan ser reparadas por el usuario. Todo servicio de mantenimiento debe ser realizado únicamente por personal calificado.
- Desenchufe el humidificador cuando no esté en uso.
- **NO** coloque el humidificador cerca de fuentes de calor, como estufas, radiadores y calentadores. Si coloque el humidificador en una pared interior, cerca de una toma de corriente. Para obtener mejores resultados, coloque el humidificador a no menos de 4 pulgadas (10 cm) de distancia de la pared. **NO** permita que las salidas de niebla apunten directamente hacia la pared. La humedad puede provocar daños, en especial al empapelado.
- **NUNCA** coloque el humidificador en un lugar accesible a los

**⚠ ¡ADVERTENCIA!**

**¡PELIGRO DE ESTRANGULACIÓN!** Los niños se han **ESTRANGULADO** con los cables. **NUNCA** coloque los cables a menos de 3 pies de distancia de la cuna. No lo use con un cable de extensión.

- niños. **NUNCA** utilice el humidificador en una habitación cerrada, especialmente en donde un niño se encuentre durmiendo, descansando o jugando (una habitación cerrada puede provocar un exceso de humedad).
- **NO** intente recargar humidificador sin antes desconectar la unidad de su toma de corriente. El ignorar esta advertencia puede causar lesiones personales. Asegúrese de desenchufar la unidad tirando del enchufe, y no del cable. **NUNCA** incline, mueva o intente vaciar la unidad mientras esté en funcionamiento. Apague y desenchufe la unidad antes de retirar el tanque de agua y moverla.
- **NO** bloquee la salida ni la entrada de aire mientras la unidad se encuentre en funcionamiento.
- Siempre coloque el humidificador en una superficie firme, plana y nivelada. Se recomienda colocar una alfombra o almohadilla a prueba de agua debajo del humidificador. **NUNCA** debe colocarlo sobre una alfombra o un piso que pueda dañarse por la exposición al agua o a la humedad. Para evitar daños a las superficies, **NO** coloque el humidificador directamente debajo de superficies más altas.
- **NO** utilice el humidificador en un área donde el nivel de humedad sea superior al 50%. Para medir la humedad utilice un higrómetro, disponible de su distribuidor local. Apague el humidificador si hay exceso de humedad.
- **NO** vierta agua en aberturas que no sean del tanque de agua.
- **NUNCA** coloque la base debajo de una corriente de agua ni la sumerja en líquidos.
- **NUNCA** haga funcionar la unidad sin agua en el tanque.
- Después del uso, **NUNCA** toque el diafragma de metal expuesto en la base, pues estará **CALIENTE**.
- Para funcionar adecuadamente, este humidificador requiere mantenimiento diario y semanal. Consulte los procedimientos de limpieza diarios y semanales. **Utilice únicamente los limpiadores recomendados por el fabricante.**
- **NUNCA** deje inserte ni coloque objetos en las aberturas.

**Información de FCC**

**Declaración de información de cumplimiento** Este dispositivo cumple con 47 CFR Parte 18 de las reglas de la FCC. Estas reglas están diseñadas para brindar protección contra interferencias perjudiciales con otros dispositivos. Si este dispositivo causa interferencia con otros dispositivos, separe este producto y el otro dispositivo. Realice únicamente el mantenimiento del usuario que se encuentra en el manual de instrucciones.

**Información para el consumidor**

NOTA: Si se acumula humedad en las paredes o las ventanas de la habitación, apague el humidificador. La habitación ya tiene suficiente humedad y el exceso puede causar daños.

- No devuelva este producto al lugar donde lo compró. Si falta alguna pieza, visítenos en [www.safety1st.com](http://www.safety1st.com) o chatee con nosotros para sacarse dudas o ver videos. También puede enviarnos un mensaje al (812) 652-2525 o llamar al Servicio de Atención al Cliente al (800) 544-1108. Tenga a mano el número de modelo (IH304, IH348, IH414) y el código de fecha (la fecha de fabricación se encuentra en la etiqueta del producto) a mano.

**Conozca su unidad**

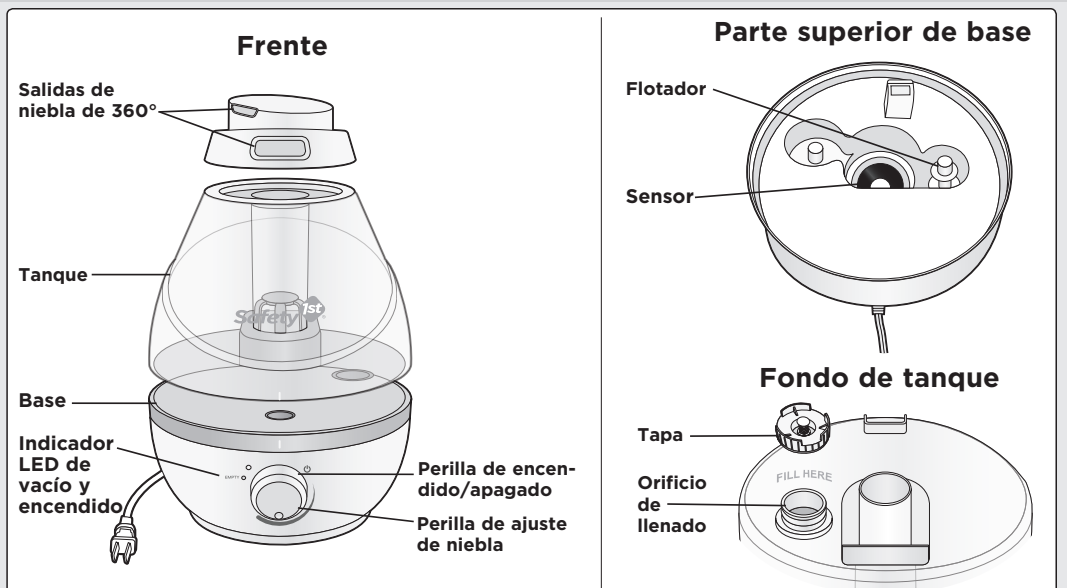
**¿Cómo funciona?**

Los humidificadores proporcionan comodidad al agregar humedad al aire en interiores. El *Humidificador de niebla fresca ultrasónico de 360°* utiliza la tecnología ultrasónica. Un diafragma de cerámica vibra silenciosamente a muy alta frecuencia para crear pequeñas gotas, lo que produce una fresca niebla o rocío.

Debe colocar el humidificador con las salidas de niebla alejadas de cualquier pared o mueble cercano.

NOTA: El nivel de humedad es recomendado del 35% al 50%. Un nivel de humedad inferior al 20% puede ser insalubre e incómodo.

En condiciones normales, es recomendable utilizar un ajuste menor en este humidificador. La niebla no es visible en un nivel de ajuste más bajo. Los niveles de ajuste más altos sólo deben utilizarse cuando el nivel de humedad es extremadamente bajo. En un ajuste más alto es posible que se vea una niebla blanca y existe un mayor riesgo de daño por humedad, especialmente en objetos que se encuentren cerca del humidificador.

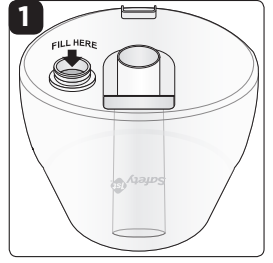


## Cómo utilizar

# ⚠️ ADVERTENCIA

Apague y desenchufe antes de quitar el tanque de agua y mover la base.

- 1 Asegúrese de que el humidificador esté APAGADO.
  - 2 Elija una ubicación: Elija una superficie plana y nivelada 4 pulgadas (10 cm) de distancia de la pared. NO coloque el humidificador sobre el piso o cerca de muebles que puedan dañarse por el exceso de humedad o agua. Colóquelo sobre una superficie resistente a la humedad.
  - 3 Retire el tanque y llénelo: Separe el tanque de la base y llévelo al lavabo. Quite la tapa que está en el fondo del tanque y llénelo con agua limpia y fría, idealmente destilada (Figura 1). NO se recomiendan los aditivos. Coloque nuevamente la tapa, de vuelta el tanque para que la tapa quede hacia abajo y vuelva a colocar el tanque en la base. El tanque comenzará a vaciarse inmediatamente dentro de la base.
- NOTA:** Cuando transporte el tanque lleno de agua, use ambas manos. Es normal que el nivel de agua en el tanque baje una vez que se coloque el tanque lleno en la base. El agua del tanque simplemente llena la base vacía.
- 4 Conecte el humidificador en una toma de corriente de 120 VAC.
  - 5 **Encienda:** Gire la perilla ubicada en el frente del humidificador hasta que se encienda la luz de alimentación.
  - 6 Ajuste la dirección de la niebla: Gire las salidas de niebla de 360° y programe el nivel de salida deseado.
  - 7 **Apague:** Para apagarlo manualmente, gire la perilla en el frente del humidificador hasta que se apague la luz de alimentación. Cuando el nivel de agua sea bajo, la función de niebla se apagará automáticamente.



## Cuidado y mantenimiento

NOTA: Este es un aparato electrodoméstico y requiere atención cuando está en uso. Siga las pautas recomendadas para ayudar a prevenir el desarrollo de microorganismos en el humidificador.

### GUARDADO

- 1 Limpie, enjuague y seque completamente como se indica. NO deje nada de agua en la unidad, ya que esto podría hacer que deje de funcionar para la temporada siguiente.
- 2 Colóquelo en la caja original y guárdelo en un lugar fresco y seco.

### MANTENIMIENTO SEMANAL

Retire la acumulación de minerales/sarro:

- 1 **Apague la unidad y retire el tanque:** Asegúrese de que el humidificador esté apagado y desenchufado antes de retirar el tanque y vaciarlo en el lavabo. NO coloque la base en el lavabo.
- 2 **Unidad de base:** Acumulación de sarro en el sensor electrónico y el flotador. Después de que el sensor haya tenido tiempo de enfriarse, limpie el sensor y/o el flotador directamente con alcohol isopropílico o vinagre utilizando una toalla de papel, un paño o una gasa. NO intente retirar el flotador para limpiarlo.
- 3 **Tanque:** Llene el tanque parcialmente con una taza de 8 onzas de vinagre blanco sin diluir. Deje la solución en el tanque durante al menos 30 minutos, revolviendo ocasionalmente el vinagre en su interior. Después, limpie con cuidado las superficies internas del tanque con un cepillo suave. Limpie la parte exterior del tanque con un paño humedecido con vinagre blanco sin diluir. Enjuague el tanque completamente con agua limpia para eliminar los residuos minerales y de vinagre. Enjuáguelo una segunda vez para asegurarse de eliminar todos los residuos.

### Para desinfectar el tanque:

- 1 Llene el tanque con agua hasta la mitad y agregue 1/2 cucharadita de blanqueador con cloro. NO coloque el tanque en la unidad de base mientras contiene blanqueador y agua.
- 2 Deje reposar la solución durante 30 minutos, agitándola cada pocos minutos. Humedezca todas las superficies.
- 3 Vacíe el tanque cuidadosamente y enjuáguelo con agua tibia hasta que no tenga olor a cloro. Séquelo con un trapo limpio o una toalla de papel.

## Garantía limitada durante un (1) año

La firma Dorel Juvenile Group, Inc., asegura al comprador original que este producto (Humidificador de niebla fresca ultrasónico de 360°), está garantizado contra materiales defectuosos o mano de obra deficiente durante un (1) año a partir de la fecha de compra, si se utiliza en condiciones normales. Si el producto presentara materiales defectuosos o mano de obra deficiente, Dorel Juvenile Group, Inc. reparará o sustituirá el producto, a nuestra discreción, de manera gratuita. El comprador cubrirá todos los costes relacionados con el envase y envío del producto al Departamento de Relaciones con el Consumidor de Dorel Juvenile Group, a la dirección que aparece al inicio de este documento, y los demás costes de transportación o aseguramiento relacionados con el envío. Dorel Juvenile Group cubrirá los costes de devolución al comprador del producto reparado o sustituido. El producto debe enviarse en su envase original junto con una prueba documental de la compra, ya sea el recibo de venta u otro medio demostrativo de que el producto aún está dentro del período de garantía. Esta garantía quedará anulada si el propietario hubiera reparado o modificado el producto, o si éste se hubiera dañado como consecuencia del uso incorrecto.

Esta garantía excluye cualesquiera otras responsabilidades ajenas a la expresada más arriba, entre otras los daños incidentales o consecuentes.

EN ALGUNOS ESTADOS NO SE PERMITEN LAS EXCLUSIONES O LIMITACIONES REFERENTES A LOS DAÑOS INCIDENTALES O CONSECUENTES, DE MODO QUE LA LIMITACIÓN O EXCLUSIÓN ANTES EXPUESTA QUIZÁS NO SE APLIQUE EN SU CASO PARTICULAR.

ESTA GARANTÍA LE OTORGA DERECHOS LEGALES ESPECÍFICOS Y ES POSIBLE QUE USTED TAMBIÉN CUENTE CON OTROS DERECHOS QUE PUDIERAN VARIAR EN DISTINTOS ESTADOS.

## Solución de problemas

### Problema 1:

- **SI LA SALIDA DE NIEBLA ES MÍNIMA O INVISIBLE,** verifique las siguientes causas. Vuelva a probar el humidificador después de intentar cada acción siguiente:

# ⚠️ ADVERTENCIA

Apague y desenchufe antes de quitar el tanque de agua y mover la base.

Causa	Acción
<ul style="list-style-type: none"> <li>• El nivel de agua en el reservorio es demasiado alto</li> </ul>	<p>Vacíe toda el agua de la base del humidificador y vuelva a colocar el tanque. Asegúrese de que el tanque esté FIJO y NIVELADO en la base sin ningún espacio visible entre la base y el tanque.</p> <p>Nota: los restos de agua en el reservorio deben vaciarse cada vez que se vuelve a llenar el tanque.</p> <p>Echa un vistazo a nuestra sugerencias útiles video aquí para obtener instrucciones paso a paso: <a href="https://youtu.be/239EXoHL72s">https://youtu.be/239EXoHL72s</a></p>
<ul style="list-style-type: none"> <li>• El humidificador está configurado bajo</li> </ul>	<ul style="list-style-type: none"> <li>• Es normal que la niebla no se vea a una configuración baja. Si la niebla se hace visible cuando gira el botón a una configuración más alta, no hay de qué preocuparse.</li> </ul>
<ul style="list-style-type: none"> <li>• La luz indicadora en el frente es roja</li> </ul>	<ul style="list-style-type: none"> <li>• El tanque de agua está vacío. Apague y desenchufe el humidificador y llene el tanque con agua. Asegúrese de vaciar el agua que quede en la base antes de reemplazar el tanque.</li> </ul>
<ul style="list-style-type: none"> <li>• La luz indicadora en el frente no se ilumina</li> </ul>	<ul style="list-style-type: none"> <li>• Asegúrese de que el humidificador esté enchufado y encendido.</li> </ul>

Problemas	Causas	Acciones
<ul style="list-style-type: none"> <li>• La unidad no se enciende</li> </ul>	<ul style="list-style-type: none"> <li>• La unidad no está enchufada o el tanque no está colocado adecuadamente</li> </ul>	<ul style="list-style-type: none"> <li>• Enchufe el cable de alimentación o vuelva a colocar el tanque en la base</li> </ul>
<ul style="list-style-type: none"> <li>• Sale polvo blanco del humidificador (la niebla puede parecer blanca polvo)</li> </ul>	<ul style="list-style-type: none"> <li>• La unidad está ajustada a un nivel alto</li> <li>• Algunos productos químicos utilizados en el tratamiento de agua potable podría convertirse en polvo de color blanco como el agua se evapora.</li> </ul>	<ul style="list-style-type: none"> <li>• Cambie el ajuste para reducir la salida de niebla</li> <li>• Use agua destilada o filtrada en lugar de agua del grifo</li> </ul>
<ul style="list-style-type: none"> <li>• Humedad en habitaciones, paredes o ventanas</li> </ul>	<ul style="list-style-type: none"> <li>• La unidad está ajustada a un nivel alto</li> </ul>	<ul style="list-style-type: none"> <li>• Apague la unidad o cambie el ajuste para reducir la salida de niebla</li> </ul>
<ul style="list-style-type: none"> <li>• La unidad se enciende y se apaga</li> </ul>	<ul style="list-style-type: none"> <li>• La unidad está ajustada a un nivel bajo</li> <li>• El tanque está casi vacío</li> <li>• El flotador dentro de la unidad de base está sucio</li> <li>• La junta en la parte inferior del tanque está sucia</li> <li>• El humidificador no está en una superficie plana y el flotador no puede funcionar correctamente</li> </ul>	<ul style="list-style-type: none"> <li>• Vuelva a llenar el tanque</li> <li>• Limpie el flotador (consulte "Cuidado y mantenimiento")</li> <li>• Limpie la junta (consulte "Cuidado y mantenimiento")</li> <li>• Coloque el humidificador en una superficie plana y vuelva a llenar el tanque</li> </ul>
<ul style="list-style-type: none"> <li>• Burbujas en el agua o un sonido que gorjea</li> </ul>	<ul style="list-style-type: none"> <li>• Funcionamiento normal. A medida que el agua ingresa en el depósito de la base, desplaza el aire y crea burbujas en el tanque y posiblemente un sonido que gorjea.</li> </ul>	<ul style="list-style-type: none"> <li>• No debe realizarse ninguna acción</li> </ul>

Pregunta	Respuesta
<ul style="list-style-type: none"> <li>• ¿Cuáles son las variables que afectan el tiempo de funcionamiento?</li> </ul>	<ul style="list-style-type: none"> <li>• El tiempo de funcionamiento estimado de este humidificador se basa en las condiciones de una habitación típica y depende de numerosas variables, como:                     <ul style="list-style-type: none"> <li>- El intercambio de aire en la habitación.</li> <li>- El lugar de la habitación donde se coloca el humidificador.</li> <li>- La temperatura de la habitación.</li> <li>- Los niveles de humedad de la habitación.</li> <li>- El movimiento de los ocupantes, y la apertura y el cierre de las puertas de la habitación.</li> <li>- Los muebles de la habitación.</li> </ul> </li> </ul>
<ul style="list-style-type: none"> <li>• ¿Cómo elimino la película del tanque?</li> </ul>	<ul style="list-style-type: none"> <li>• Consulte la sección "Para desinfectar el tanque". Se recomienda realizar una limpieza regular.</li> </ul>
<ul style="list-style-type: none"> <li>• ¿Cómo puedo prolongar el tiempo de funcionamiento?</li> </ul>	<ul style="list-style-type: none"> <li>• Haga funcionar la unidad en ajustándola al nivel más bajo.</li> <li>• Llene el tanque completamente y colóquelo en la base. Deje que el agua se vierta dentro de la base hasta que deje de burbujear; luego vuelva a llenar el tanque y colóquelo nuevamente. Esto asegura la máxima capacidad de agua y prolonga el tiempo de funcionamiento.</li> </ul>

\* Después de su fabricación, se prueba cada unidad y se confirma que esté libre de pérdidas.