

DELTA♥CHILDREN

Rockaway BASSINET

INSTRUCTION MANUAL

ADULT ASSEMBLY REQUIRED

STYLES AND COLORS MAY VARY

25034

**▲ WARNING:
CHOKING HAZARD**

Adult assembly required because of small parts. Keep assembly parts out of reach of children under 3 years.



**Read all instructions BEFORE assembly and USE of product
KEEP INSTRUCTIONS FOR FUTURE USE.**

Customer Experience Center
email: gcs@DeltaChildren.com

www.DeltaChildren.com

DCP-IM-04192024-F1

WARNING:

Failure to follow these warnings and instructions could result in serious injury or death.

- **Read all instructions before assembling unit.**

KEEP INSTRUCTIONS FOR FUTURE USE.

DO NOT USE THIS UNIT IF THE INSTRUCTIONS CANNOT BE STRICTLY FOLLOWED.

- Before each usage or assembly, inspect unit for damaged hardware, loose joints, missing parts or sharp edges. NEVER use this product if there are any loose or missing fasteners, loose joints, broken parts, or torn mesh/fabric. Check before assembly and periodically during use. Contact Delta Children's Products Customer Service Department at gcs@deltachildren.com for replacement parts, repair or instructions.
- **DO NOT** substitute parts.
- **FALL HAZARD**—To help prevent falls, DO NOT use this product when the infant begins to push up on hands and knees or has reached manufacturer's recommended maximum weight of 30lbs. (13.61kg), whichever comes first.
- Use bassinet with only one child at a time.
- Strings can cause strangulation! DO NOT place items with a string around a child's neck, such as hood strings or pacifier cords. DO NOT suspend strings over a product or attach strings to toys.
- **SUFFOCATION HAZARD:** Infants can suffocate:
 - In gaps between an extra pad and side of the bassinet/criadle.
 - On soft bedding.
- Use ONLY the pad provided by the manufacturer. **NEVER** add a pillow, comforter or another mattress for padding.
- If a sheet is used with the pad, use only the one provided by the manufacturer or one specifically designed to fit the dimensions of the bassinet/criadle.
- To reduce the risk of SIDS, pediatricians recommend healthy infants be placed on their back to sleep, unless otherwise advised by your physician.
- Never use plastic shipping bags or other plastic film as a mattress covers not sold and intended for that purpose. They can cause suffocation.
- **DO NOT** place bassinet near a window where cords from blinds or drapes may strangle a child. Child may fall out of window.
- **DO NOT** place cords, straps or similar items that could become wound around a child's neck in or near the bassinet.

CARE AND MAINTENANCE

- The frame, mattress pad, may be wiped clean using a mild cleaning solution and a damp cloth. Do not use bleach. Do not use harsh or abrasive cleaners. Rinse clean with water to remove residue. Do not immerse the frame.
- The sheet is machine washable. Wash it separately in cold water on the gentle cycle. Do not use bleach. Tumble dry separately on low heat and remove promptly.
- Always store product in a clean and dry place.
- Before each usage or assembly, inspect unit for damaged hardware, loose joints, missing parts or sharp edges. NEVER use this product if there are any loose or missing fasteners, loose joints, broken parts, or torn mesh/fabric.

WARNING:

WARNING: Do not use this bassinet if you cannot exactly follow the accompanying instructions. Failure to follow these warnings and instructions could result in serious injury or death.

FALL HAZARD: To help prevent falls, **DO NOT** use this product when the infant begins to push up on hands and knees or has reached manufacturer's recommended maximum weight of 6.8kg (15lb), whichever comes first.

SUFFOCATION HAZARD **Infants can suffocate:**

- In gaps between a mattress (too small or too thick) and product sides.
- On soft bedding

Use only the pad provided by the manufacturer that is no thicker than 3.5cm (1 1/2in) and is of such a size that, when pushed against any side of the product, it does not leave a gap of more than 3 cm (1 1/4") between the mattress and sides.

NEVER add a mattress, pillow, comforter or padding.

Remove any tools or excess parts including plastic packaging from the bassinet vicinity after assembly.

To reduce the risk of SIDS, pediatricians recommend healthy infants be placed on their backs to sleep, unless otherwise advised by your physician.

Do not leave child unattended in the bassinet when it is in the "rocking" mode. Always make sure the wheels or stands are in the locked "down" position.

Always attach all provided fasteners tightly according to the instructions. Check frequently. Do not use if there are any loose or missing parts or signs of damage. Do not substitute parts. Contact the manufacturer for replacement parts.

Toys are not to be "mouthed" by the baby and should be positioned clearly out of reach of the baby's face and mouth.

Do not place medication, small toys, small items, cords, straps or similar items that could become wound around the child's neck in or near this product and do not place product near a window, patio door, heater, or power outlet.

When used as a changing table:

FALL HAZARD: To prevent death or serious injury, always keep child within arm's reach.

DCP060614-EN for AU-BWV3



Before returning this product to the store! Let's see if we can assist you!

- **Not sure how to assemble our product?**

Visit our site for easy to follow instructions along with some Tricks and Tips assembly video's <https://www.deltachildren.com/pages/instructions>

- **If you are missing a piece or have a damaged part**

Please contact our Consumer Experience Center for assistance at gcs@deltachildren.com
To better assist you please have your Style #, Lot # and Manufacturer Date information available along with the part number that you need assistance with.

- **In the event we do not have a replacement part available**

You may need to return your product to the retailer for an exchange or refund.

- **Warranty**

In order to protect your investment, don't forget to register your product.

You may also wish to consider purchasing our extended warranty.

Visit <https://www.deltachildren.com/pages/extended-warranty> for more details.

- **Please note:**

“All Final”, “As Is” or Third Party/Liquidator sales are not covered under our Limited Limited Manufacturer Warranty..

DELTA CHILDREN

LIMITED MANUFACTURER WARRANTY

This Delta product is warranted to be free from defects for a period of 90 days from the date of purchase under normal use. This warranty extends only to the original retail purchaser and is valid only when supplied with proof of purchase, or if received as a gift, when the registration is on file with Delta. This limited manufacturer warranty does not cover the following:

- Products purchased as floor models or samples.
- Items purchased on an “as-is” basis, as a second hand product, or as a resale product.
- Items purchased at a Final sale, a “Going out of Business” sale, or a Liquidation sale.

TO REGISTER YOUR PRODUCT for important safety alerts and updates to your product please visit www.deltachildren.com

TO REPORT A PROBLEM, please log on to www.deltachildren.com and click the Consumer Care Tab, or contact us by email at gcs@DeltaChildren.com

Date of Purchase: _____ (you should also keep your receipt)

EXTENDED WARRANTY

DON'T MISS YOUR CHANCE TO BE COVERED FOR ALL OF LIFES MISHAPS!

With Delta's Extended Warranty, you're covered for mechanical failure from normal use or if your item stops working due to normal wear and tear, plus all those unexpected surprises.

2 YEARS OF PROTECTION

For Additional Information:

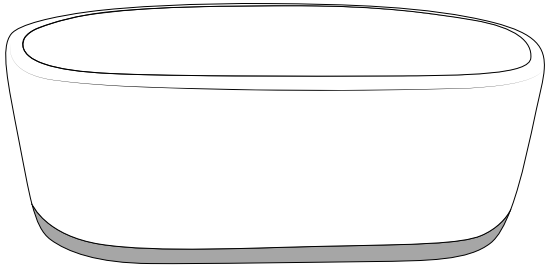
Simply visit our Website, register your product, and add the Extended Warranty

<https://www.deltachildren.com/pages/product-registration>

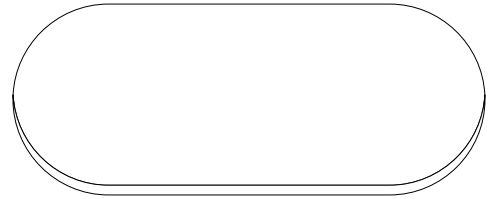
Extended Warranty only available in the following States: Arkansas, Colorado, Delaware, District of Columbia, Georgia, Idaho, Illinois, Indiana, Iowa, Kansas, Kentucky, Louisiana, Maryland, Michigan, Mississippi, Missouri, Nebraska, Nevada, New Hampshire, New York, North Carolina, North Dakota, Pennsylvania, Rhode Island, South Dakota, Tennessee, Utah, West Virginia

Parts

IMPORTANT! Please remove all parts from the package and identify them before assembly.



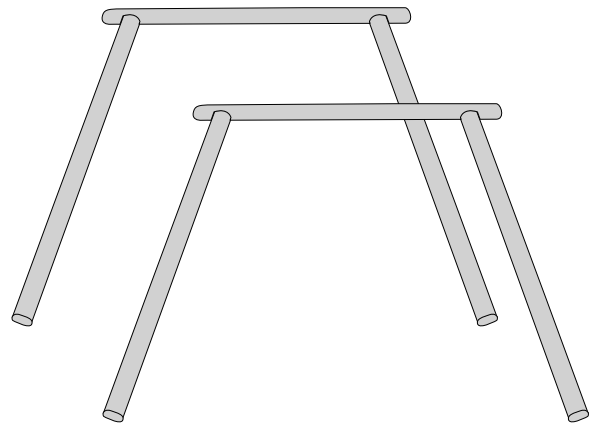
Bassinet
Part# 51167



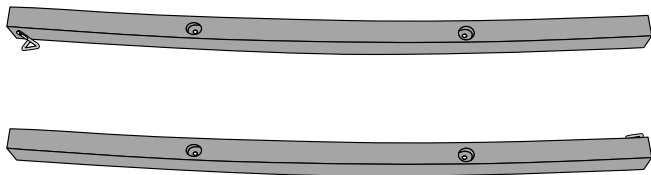
Mattress Pad
Part# 51173



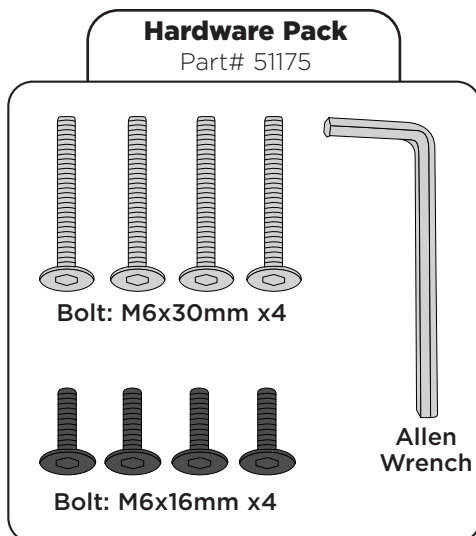
Sheet
Part# 51174



Metal Leg (x2)
Part# 51168



Wooden Rocking Foot (x2)
Part# 51171
(Metal Rocking Stopper
Part# 51172)



Bassinet Assembly

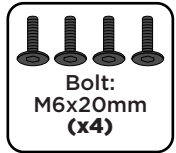
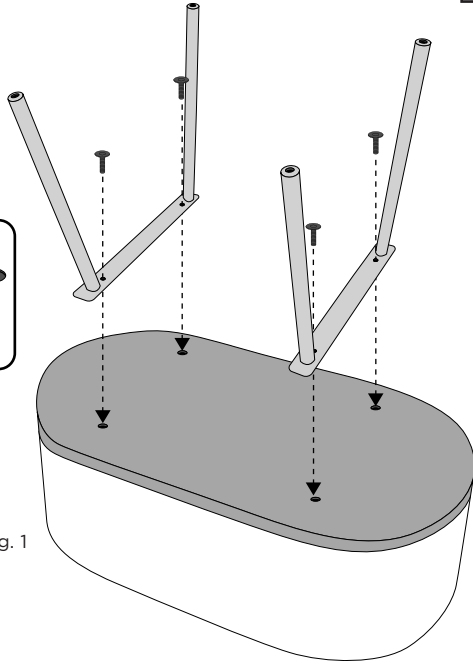
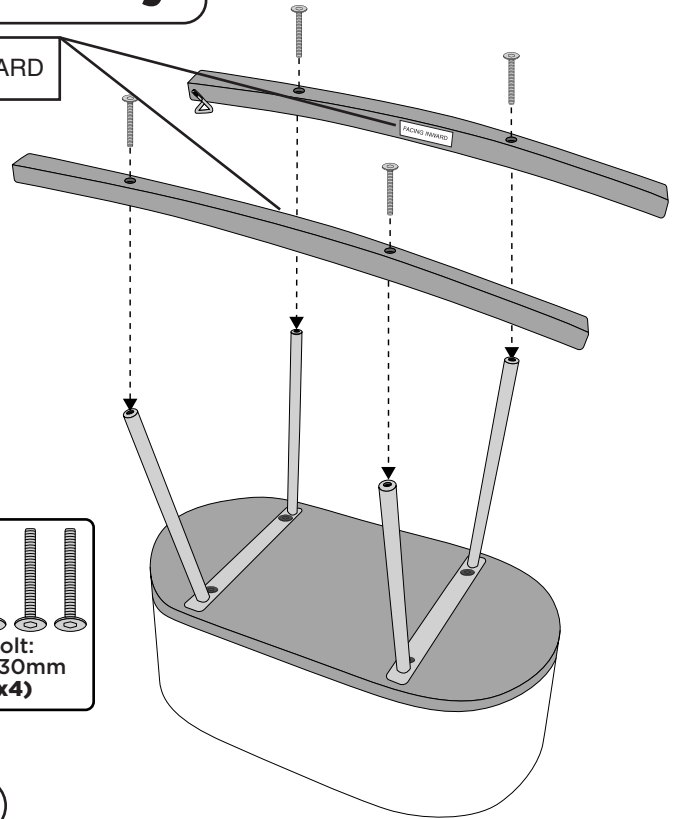
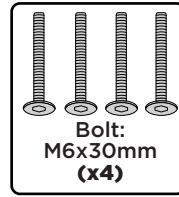


Fig. 1



FACING INWARD

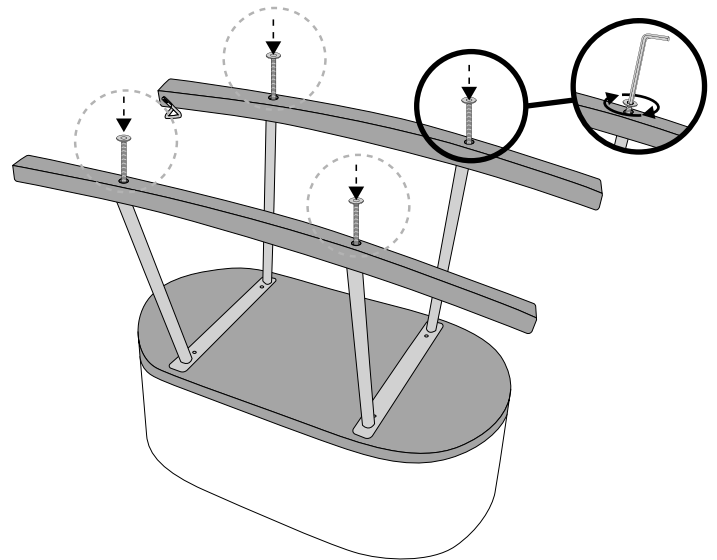
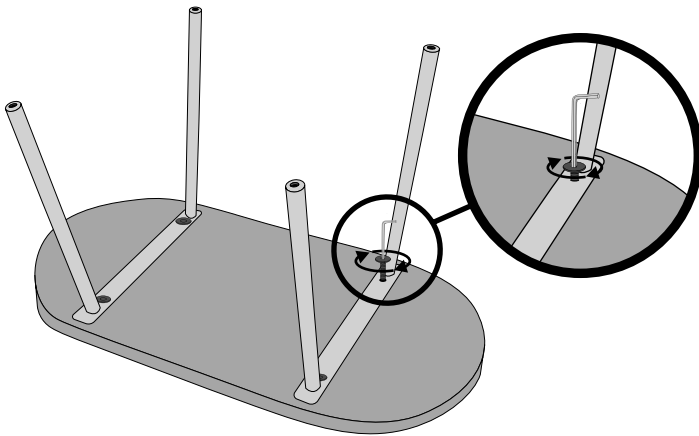


1

- Locate both metal legs.
- Using the (4) M6x20mm bolts, pass each bolt through the holes in the metal legs.
- Thread each bolt into the Bassinet until it stays in place.

3

- Ensure that the “Facing Inward” sticker is facing toward the inside.
- Align each of the Wooden Rocking Feet longways as shown above. The bolt holes in the Wooden Rocking Feet.
- Using the (4) M6x30mm bolts, pass each bolt through the holes in the Wooden Rocking Feet into the threaded openings on the bottom of the Metal Legs.
- Thread each bolt into the Metal Leg until it stays in place.



2

- Using the supplied Allen Wrench, tighten each of the (4) M6x20mm bolts into the Bassinet. Tighten until bolts are snug and legs are firmly attached. DO NOT overtighten.

4

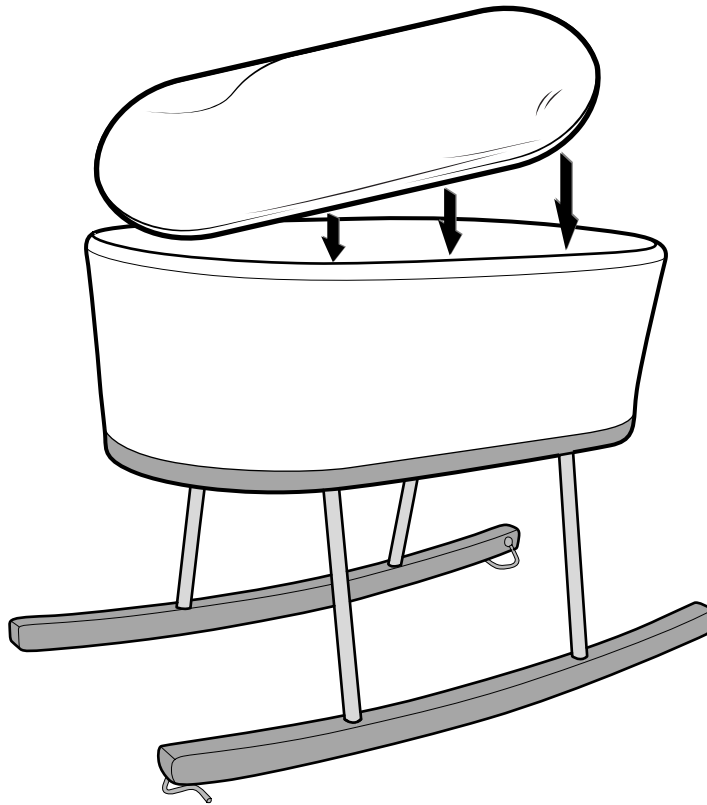
- Using the supplied Allen Wrench, tighten each of the (4) M6x30mm bolts into the Metal Legs. Tighten until bolts are snug and Wooden Rocking Feet are firmly attached. DO NOT overtighten.
- Repeat with the second Wooden Rocking Foot.

Bassinet Assembly



5

- Fit the included sheet over the Bassinet mattress.

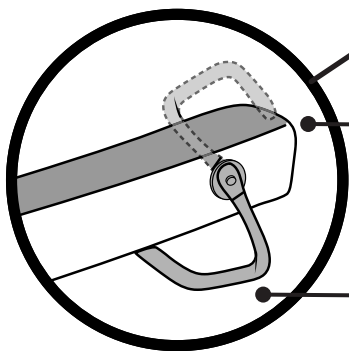
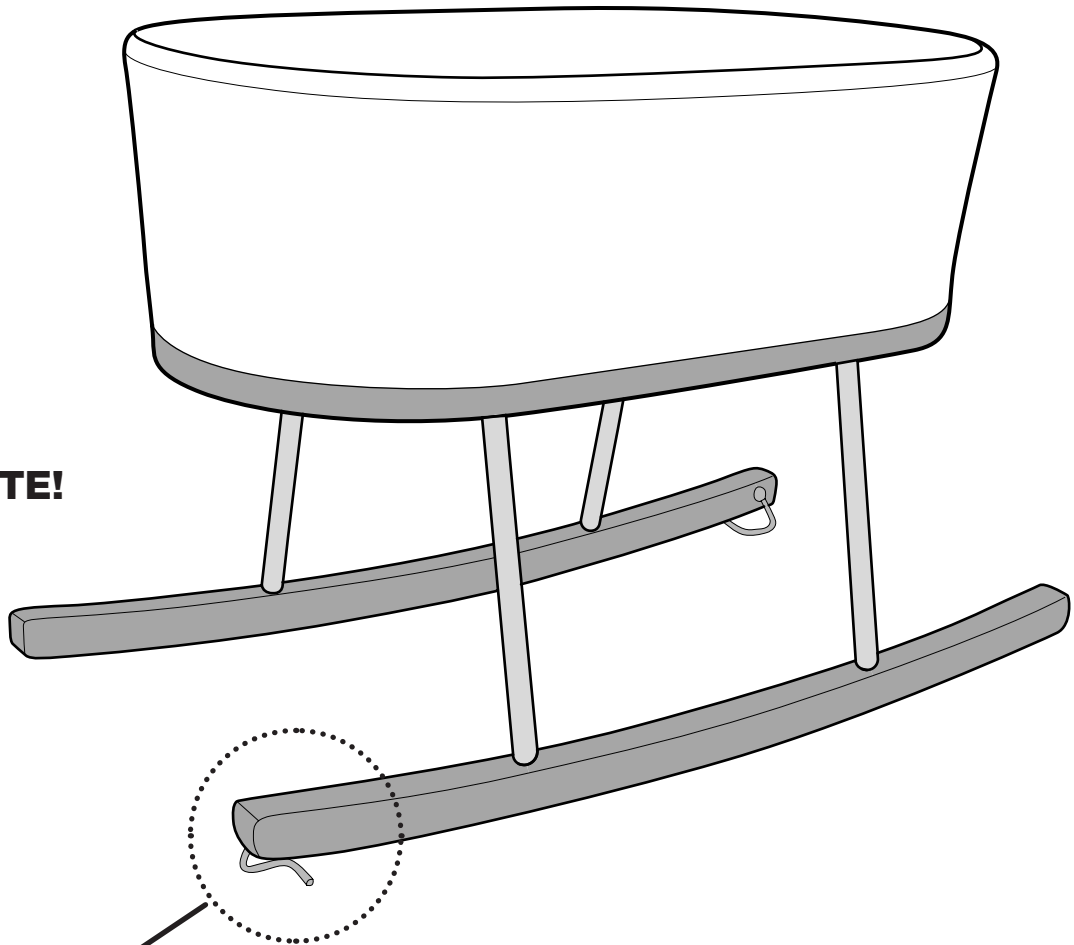


1

- Place Mattress with sheet into Bassinet

Bassinet Assembly

COMPLETE!



UP: Rocking Mode

DOWN: Stationary Mode

USING THE ROCKING STOPPERS

- While in rocking mode, the Rocking Stoppers should be turned up toward the top of the Rocking Foot. Turn down Rocking Stopper to prevent the Bassinet from rocking.

DELTA♥CHILDREN

Delta Children's Products Corp.
114 West 26th Street
New York, NY 10001
gcs@DeltaChildren.com
www.DeltaChildren.com

follow us



@deltachildren