

## VP6036CTSM

60 x 36 x 82



PROFESSIONAL

### FEATURES

- Modern, matte finish
- Smooth, 4-piece kit
- Easy Wedge & Lock installation
- Caulkless installation
- Integral soap shelves
- Available in White only
- 15 Year residential limited warranty

### COMPONENTS OF KIT

#### Above Floor Rough (AFR)

- VP6036CTML (Tub) or VP6036CTMR (Tub)
- VP6062CBW (Back Wall)
- VP2962CSW (Side Walls)

#### Aging In Place

- VP6036CTML (Tub) or VP6036CTMR (Tub)
- VP6062CBWA (Back Wall)
- VP2962CSWA (Side Walls)

### PACKAGED DIMENSIONS

- Tub: 63 x 40 1/2 x 24 1/2
- Back Wall: 65 x 61 1/2 x 8 1/2
- Side Wall Set: 64 1/4 x 32 1/4 x 5

### VERITEK PRO

Lightweight and durable, Veritek Pro is produced with Swan Solid Surface, a proprietary SMC compound.

Veritek Pro is the better bathroom solution and is a snap to install!

Available in the Following Offerings:

Depth	Width	Height Standard	Height AFR	Model Number			
				Standard	AIP	AFR	AIP & AFR
36	60	79	82	6036CTSL/R	6036CTSAL/R	6036CTSML/R	6036CTSMAL/R

- **Standard:** Base model shower, tub, or tub shower offering
- **Aging In Place (AIP):** Reinforced shower or tub shower walls that allows for future grab bar installation
- **Above Floor Rough (AFR):** Clearance for drain placement, eliminating the need for drain relocation
- **Aging In Place (AIP) & Above Floor Rough (AFR):** A combination kit for AFR & AIP

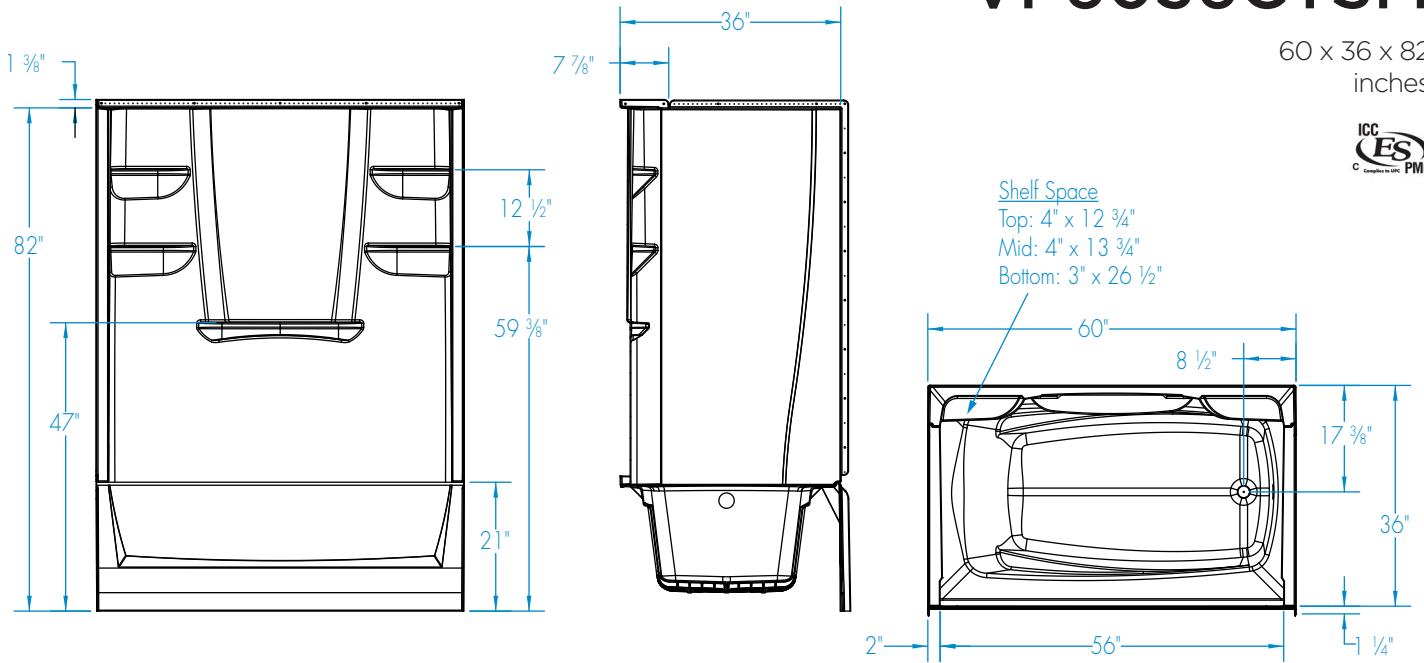


# VP6036CTSM

60 x 36 x 82 inches



Shelf Space  
 Top: 4" x 12 3/4"  
 Mid: 4" x 13 3/4"  
 Bottom: 3" x 26 1/2"



**FEATURES** Dimensional Tolerance  $\pm 3/8"$ . Dimensions needed for site preparation should be measured from the unit. Manufacturer assumes no responsibility for preparatory work.

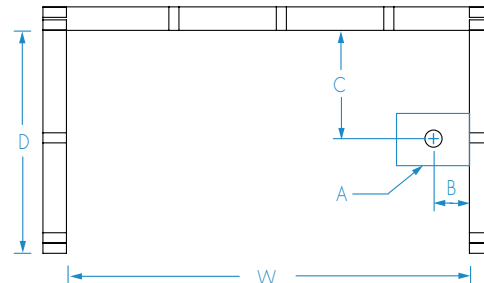
Type	Model #	Material	Height	Drain	Net Wt. lbs	Pkg. Wt. lbs
AFR Tub-Shower	VP6036CTSML/R	Swan Solid Surface	82	LH or RH	158	173
AIP and AFR Tub-Shower	VP6036CTSMAL/R	Swan Solid Surface	82	LH or RH	188	203

## DIMENSIONS

Specifications	inches
<b>Width:</b> Overall / Net	60
<b>Depth:</b> Overall / Net	37 1/4 / 36
<b>Height:</b> Overall / Net	83 3/8 / 82
<b>Enclosure Opening</b>	56
<b>Skirt Height</b>	21
<b>Drain Rough-In</b> (from Back Wall)	17 3/8
<b>Drain Rough-In</b> (from Side Wall)	2
<b>Drain:</b> Diameter / Clearance	2 / 3 1/2

## FRAMING DIMENSIONS inches

Type	D Depth	W Width	H Height	A	B	C
Alcove	37 1/4	60	83 3/8	Box Out	2	17 3/8



## SUMP DATA

Top of Drain to Bottom of Overflow	Capacity to Overflow gal	WIDTH @ centerline		DEPTH @ centerline	
		Top	Bottom	Top	Bottom
12 5/8	52	50 1/2	42 5/8	27 3/8	22 3/8

