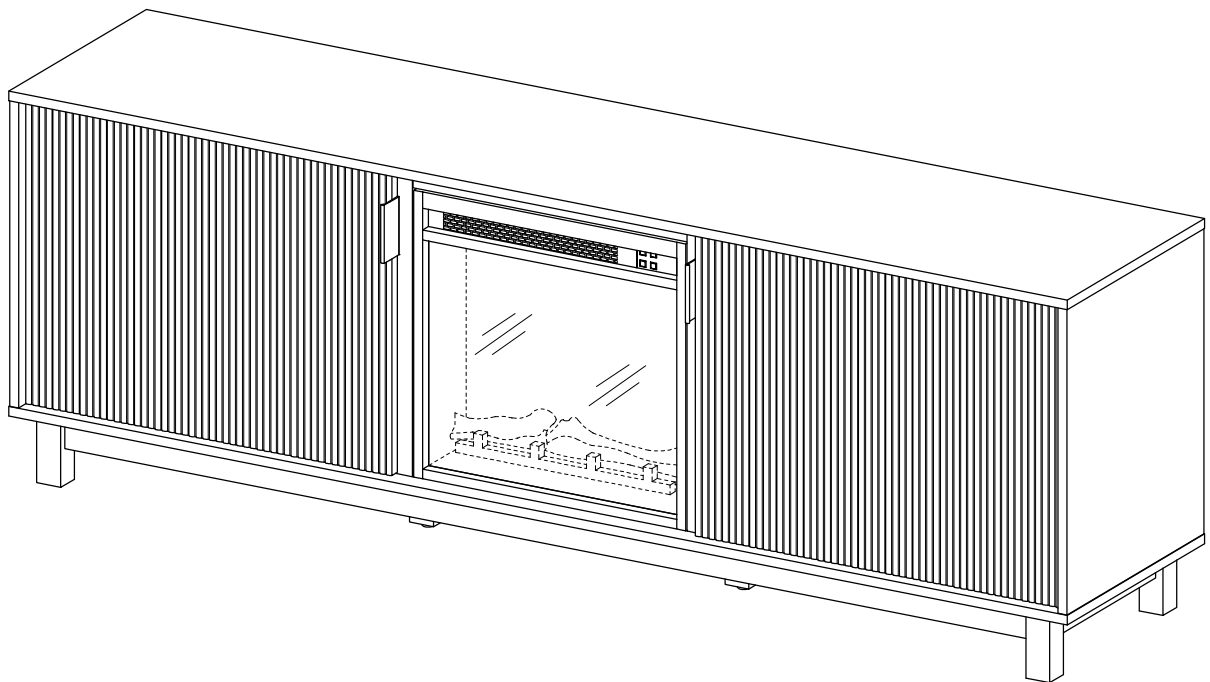


WALKER EDISON
TM

Arundo 70" Fireplace TV Stand

SKU# WEARU22704



For Residential Use Only

Please visit our website for the most current instructions, assembly tips, report damage, or request parts. www.walker-edison.com



Time to get started

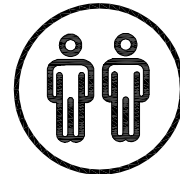
Set up a clean and soft workplace to get started and avoid damage during the assembly. It also helps to double-check you've got all the pieces and parts before diving in to assembly.

Estimated time for assembly



People recommended for assembly

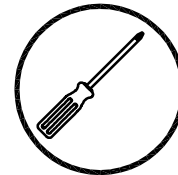
Make it a team effort! Grab a friend for quicker, easier assembly.



2 People Build

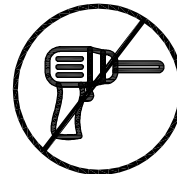
Tools Needed

Grab a Phillips head screwdriver to conquer this assembly



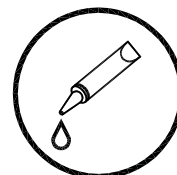
Use power tools with caution

You can cause cracking or damage to the material and easily strip the hardware. If you choose to use a power tool, your product will no longer be covered under Walker Edison' warranty.



Glue is provided to secure wood dowels in place

When inserting dowels, locate the appropriate hole, place a small amount of glue in the hole, and then insert the dowel. Wipe away excess glue immediately.

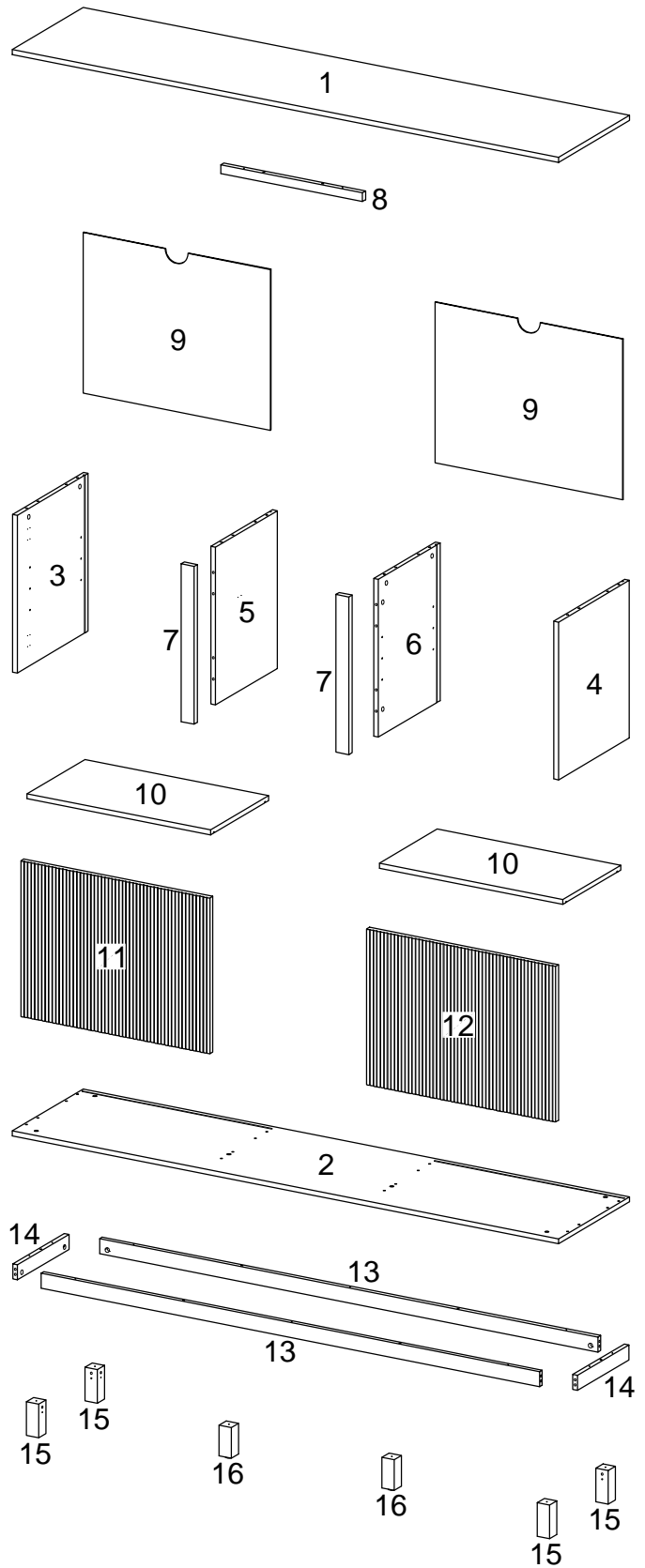


Arundo




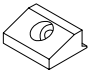

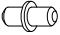
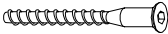


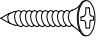
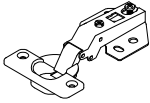
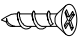
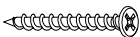
Scan to get assembly tips and help!

WE Parts List

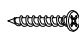

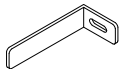
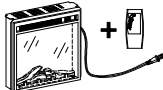
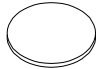
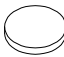
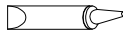
Part Number	Description	Quantity
1	Top Panel	1
2	Bottom Panel	1
3	Left Panel	1
4	Right Panel	1
5	Left Divider Panel	1
6	Right Divider Panel	1
7	Front Mullion	2
8	Upper Rail	1
9	Back Panel	2
10	Adjustable Shelf	2
11	Left Door	1
12	Right Door	1
13	Long Apron	2
14	Short Apron	2
15	Leg	4
16	Middle Foot	2



WE Hardware List

Part	Size	Name	Quantity
A	 8x30mm	Wooden dowel	36
B	 6x35mm	Cam Bolt	20
C	 15x11mm	Cam Lock	20
D		Plastic Wedge	12
E	 3x17mm	Screw	12
F	 8x5x16mm	Shelf support pin	8
G	 6x50mm	Bolt	14
H	 M4	Hex key	1
J		Handle	2
K	 3x12mm	Screw	4
L	 35mm	European hinge	4
M	 3.5x14mm	Screw	24
N	 4x45mm	Screw	10

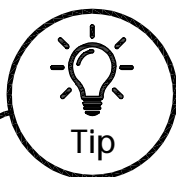
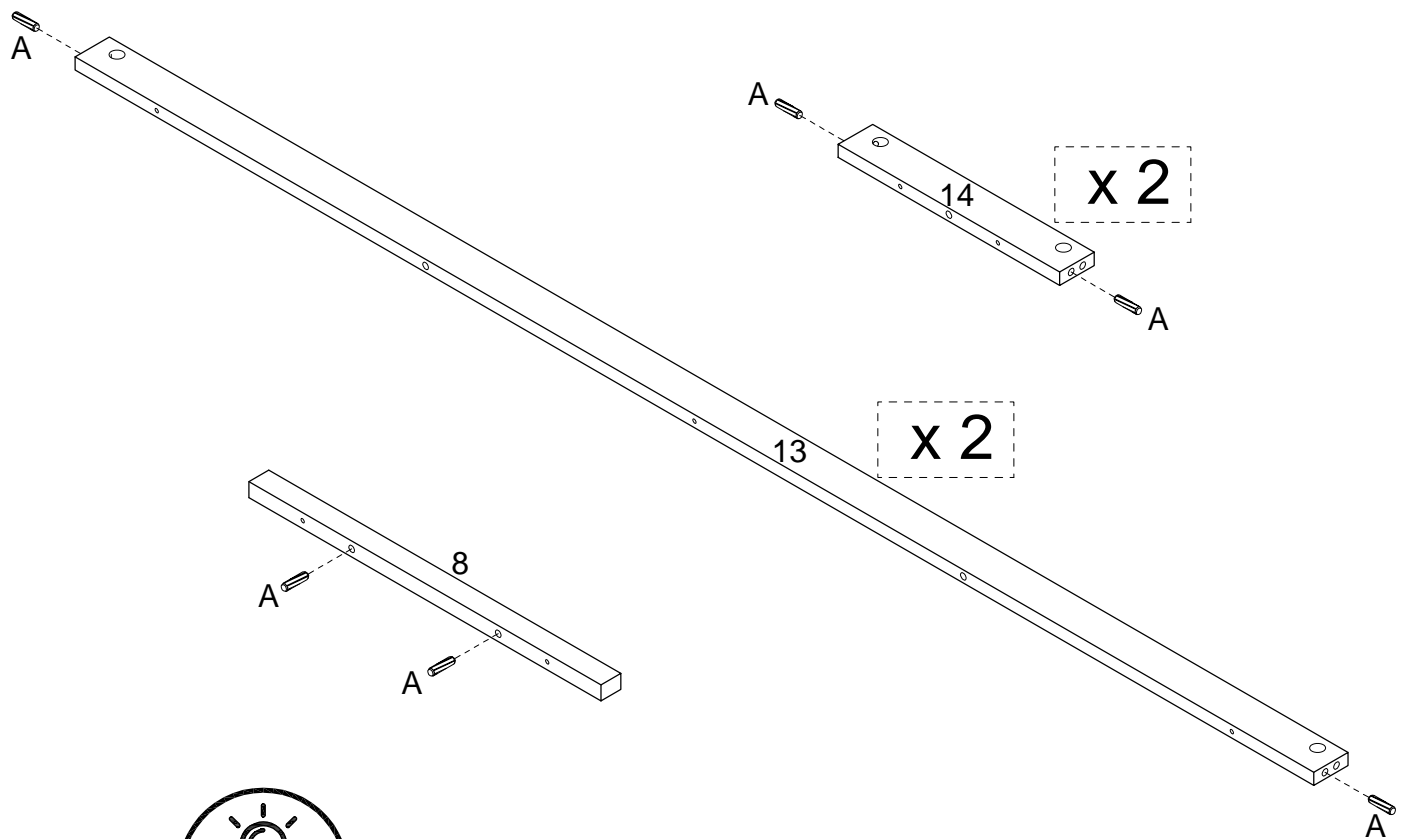
WE Hardware List

Part	Size	Name	Quantity
P	 4x32mm	Screw	2
Q	 4x12mm	Screw	4
R		L-Shaped bracket	2
S	 RV18V80L-MT2	Fireplace Insert	1
T	 30mm	Sticker	20
U		Silicone pad	4
V		Glue tube	2

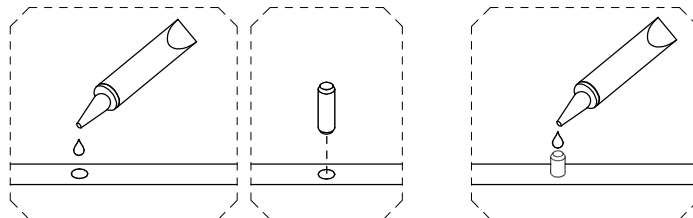
*The hardware quantities listed above are required for proper assembly.
Extra hardware pieces may be included.*

Step 1

Let's get started! Insert Dowels (A) into the Upper Rail (8), both Long Aprons (13), and both Short Aprons (14).



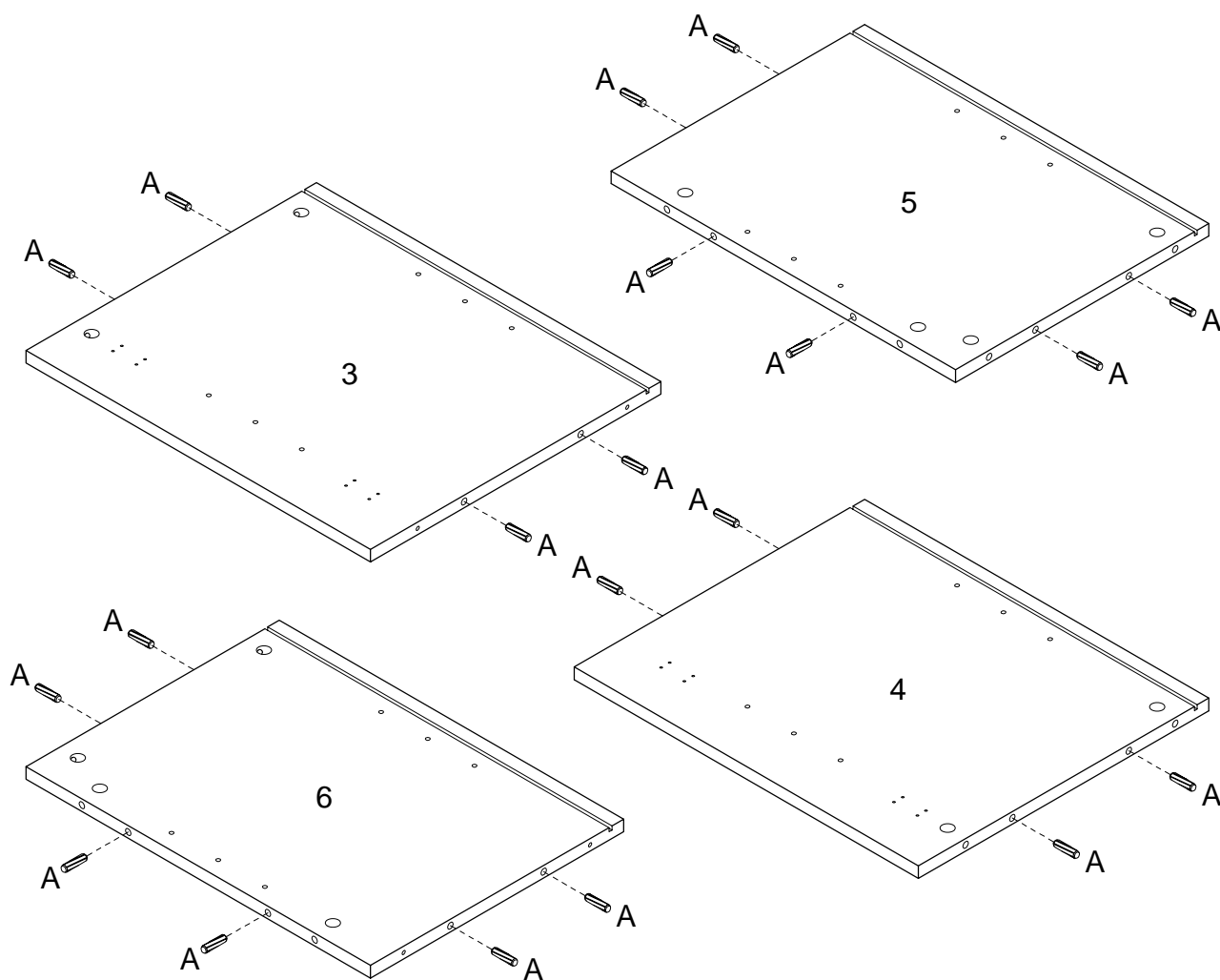
Tip



- 1: The provided glue is to secure wood dowels in place. When first inserting dowels, locate the appropriate hole for the dowel, place a small amount of glue in the hole and insert the dowel. Wipe away excess glue immediately.
- 2: In future assembly steps when dowels are necessary to attach assembly parts together, place a small amount of glue on the end of the dowel before attaching parts together. Wipe away excess glue immediately.

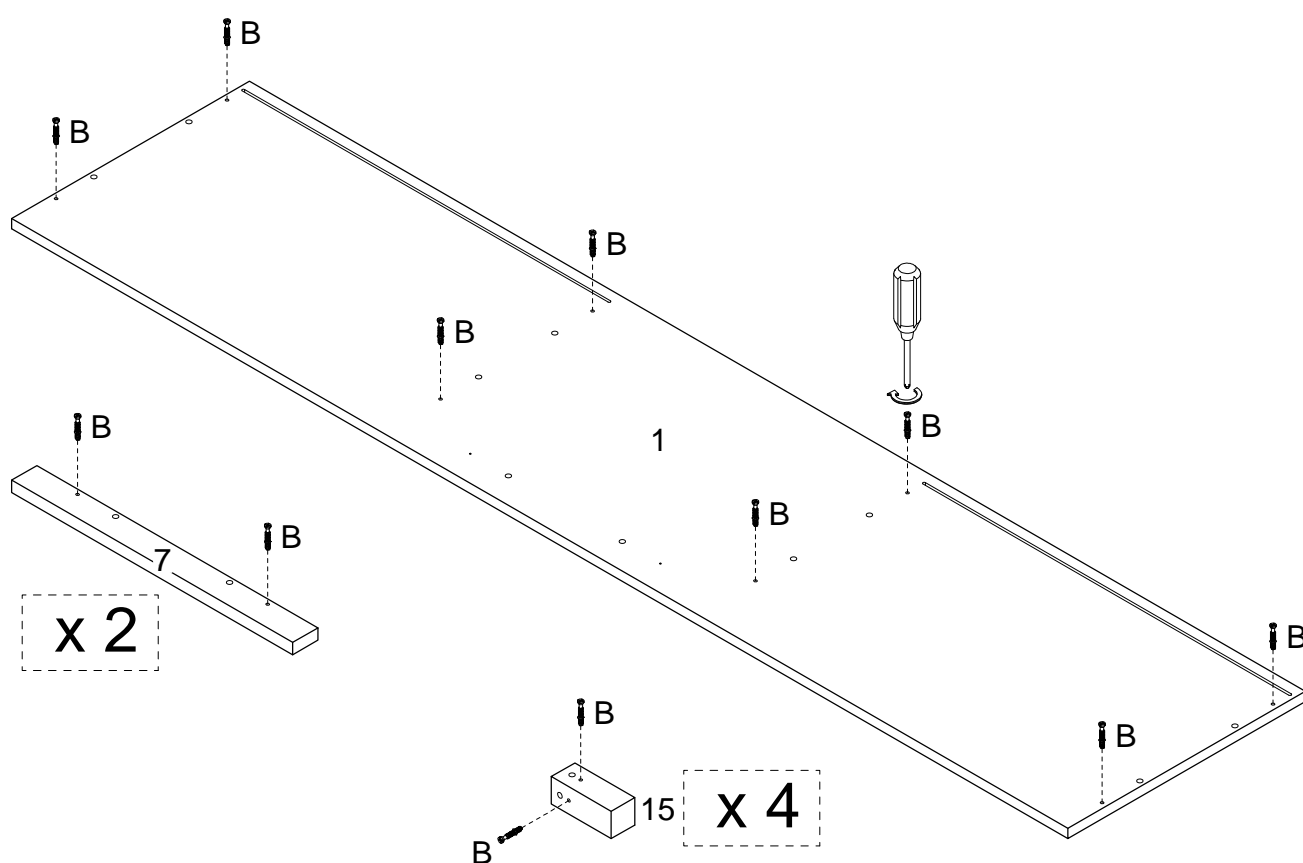
Step 2

Next, insert Dowels (A) into the Left Panel (3), Left Divider Panel (5), Right Divider Panel (6) and the Right Panel (4).



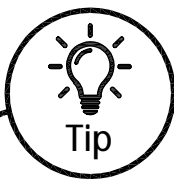
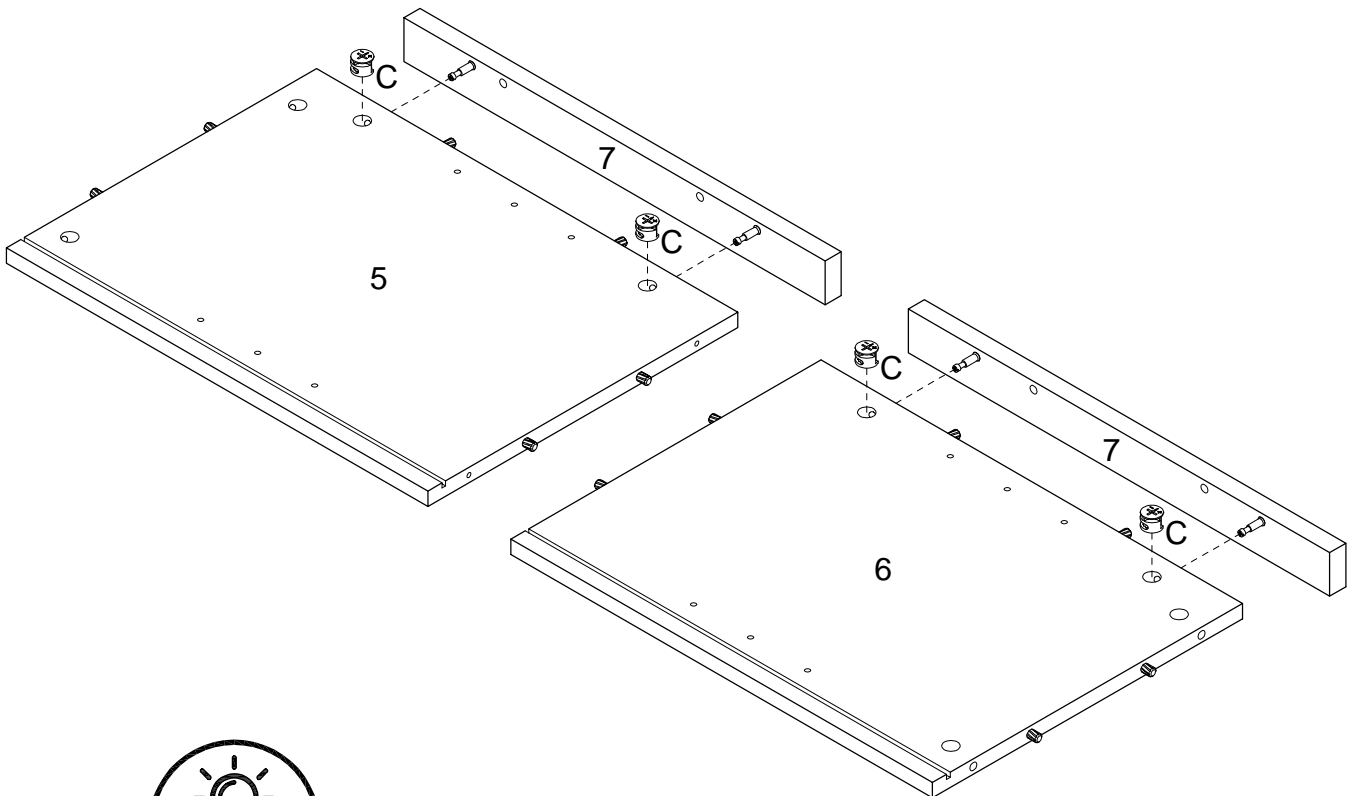
Step 3

Using a screwdriver, attach the Cam Bolts (B) to the Top Panel (1), both Front Mullions (7), and all four Legs (15).



Step 4

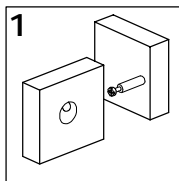
Insert one Front Mullion (7) into the Left Divider Panel (5) and the other Front Mullion (7) into the Right Divider Panel (6). Secure with Cam Locks (C) and tighten with a screwdriver.



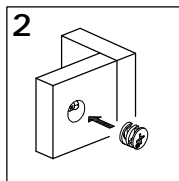
Tip

Cam Locks

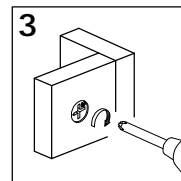
Cam Locks help securely join two pieces together. Follow these easy steps.



1: Insert Cam Bolt into bolt holes on the flat side. Don't over tighten!



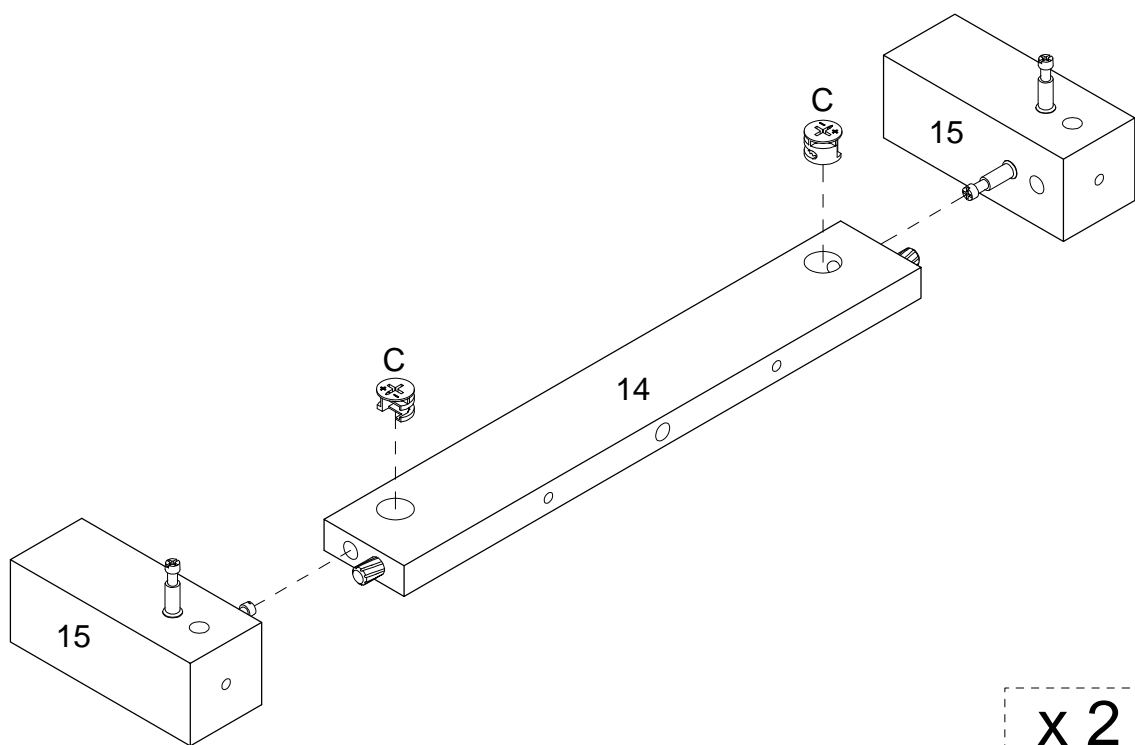
2: Fit the proper holes on the edge of the other part over the Cam Bolts. You should be able to see the cam bolts through the larger hole on the side.



3: On the back of the Cam Lock will be a "C" shape. Insert the Cam Lock so the opening of the "C" fits over the Cam Bolt. Tighten with the screwdriver.

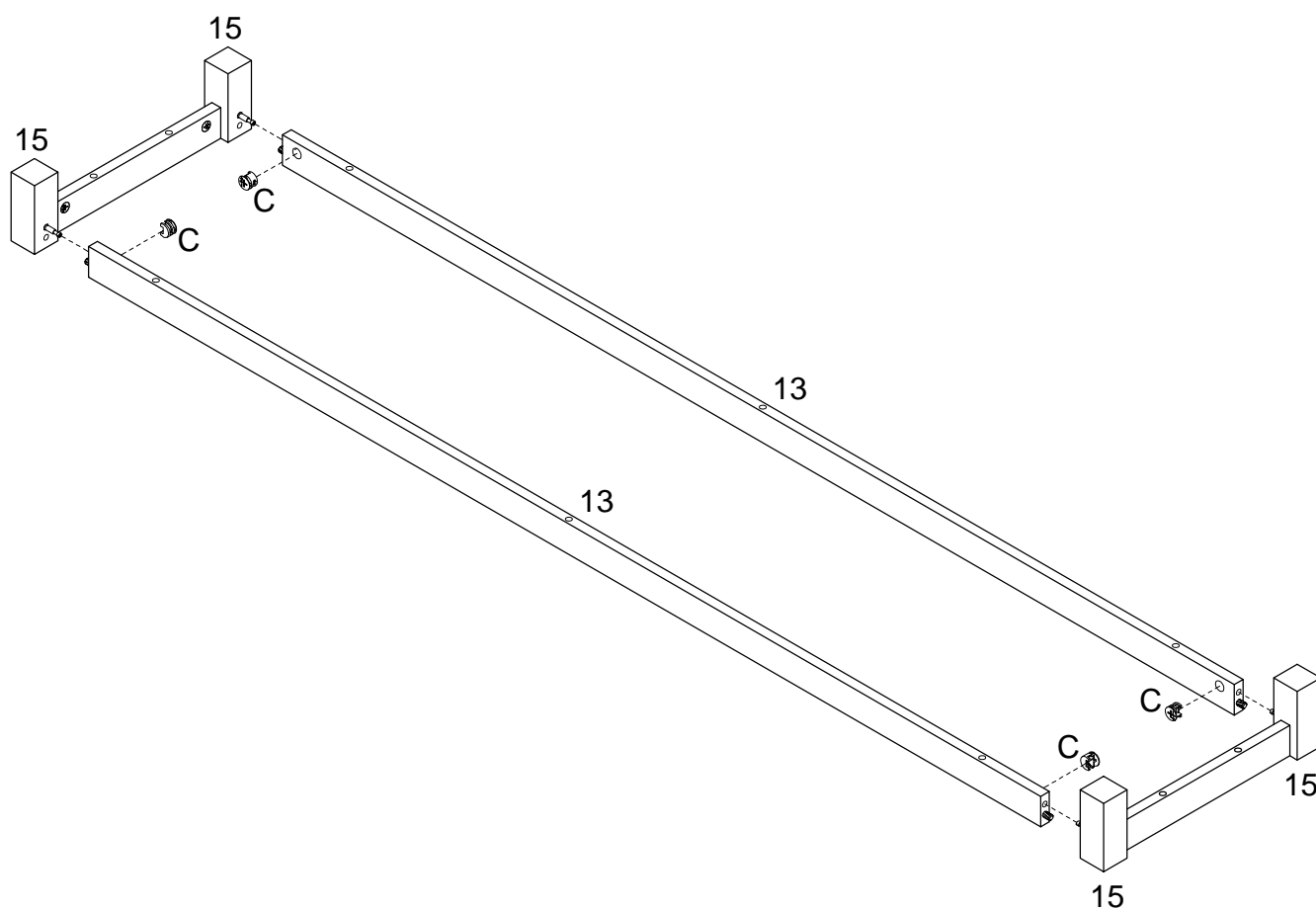
Step 5

Insert the Legs (15) into both ends of the Short Apron (14). Secure with Cam Locks (C) and tighten with a screwdriver. Repeat this step on the second Short Apron (14).



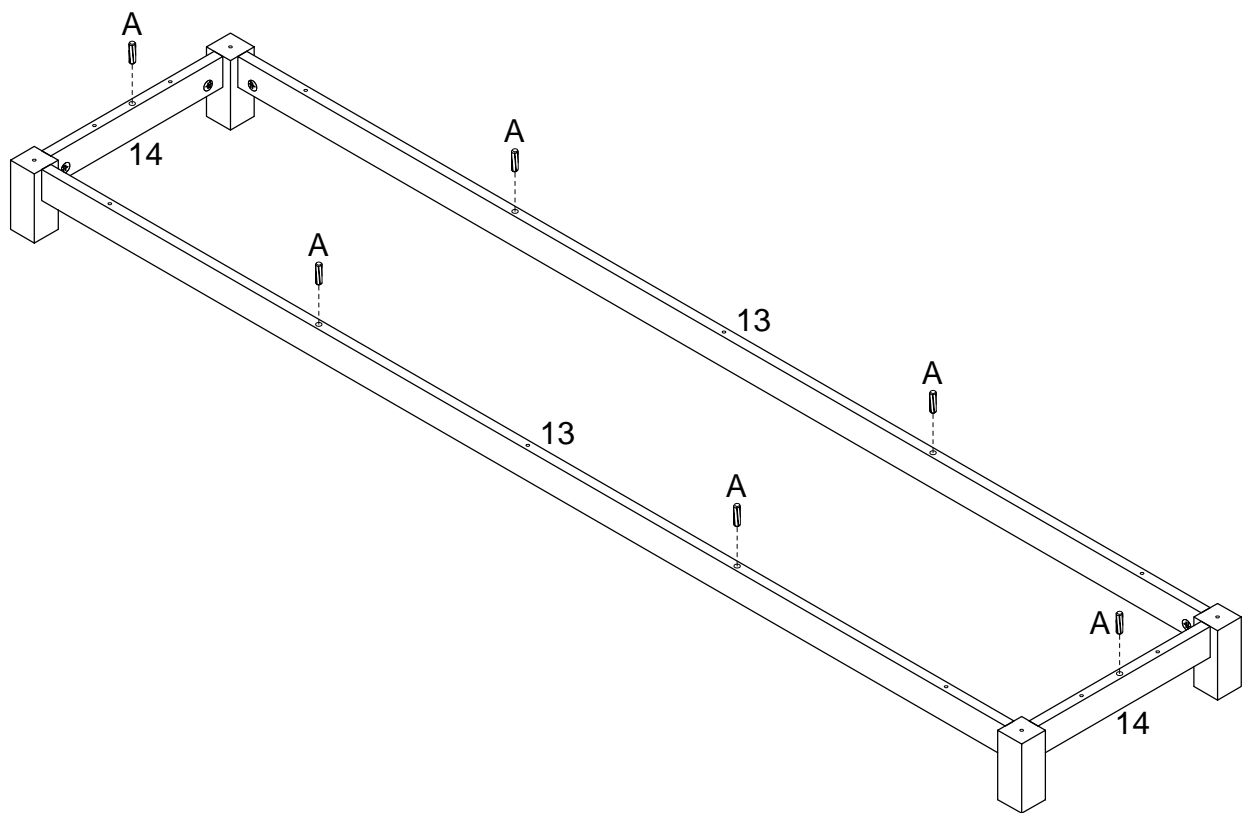
Step 6

Now, insert the Legs (15) into both Long Aprons (13) to complete the bottom frame. Secure with Cam Locks (C) and tighten with a screwdriver.



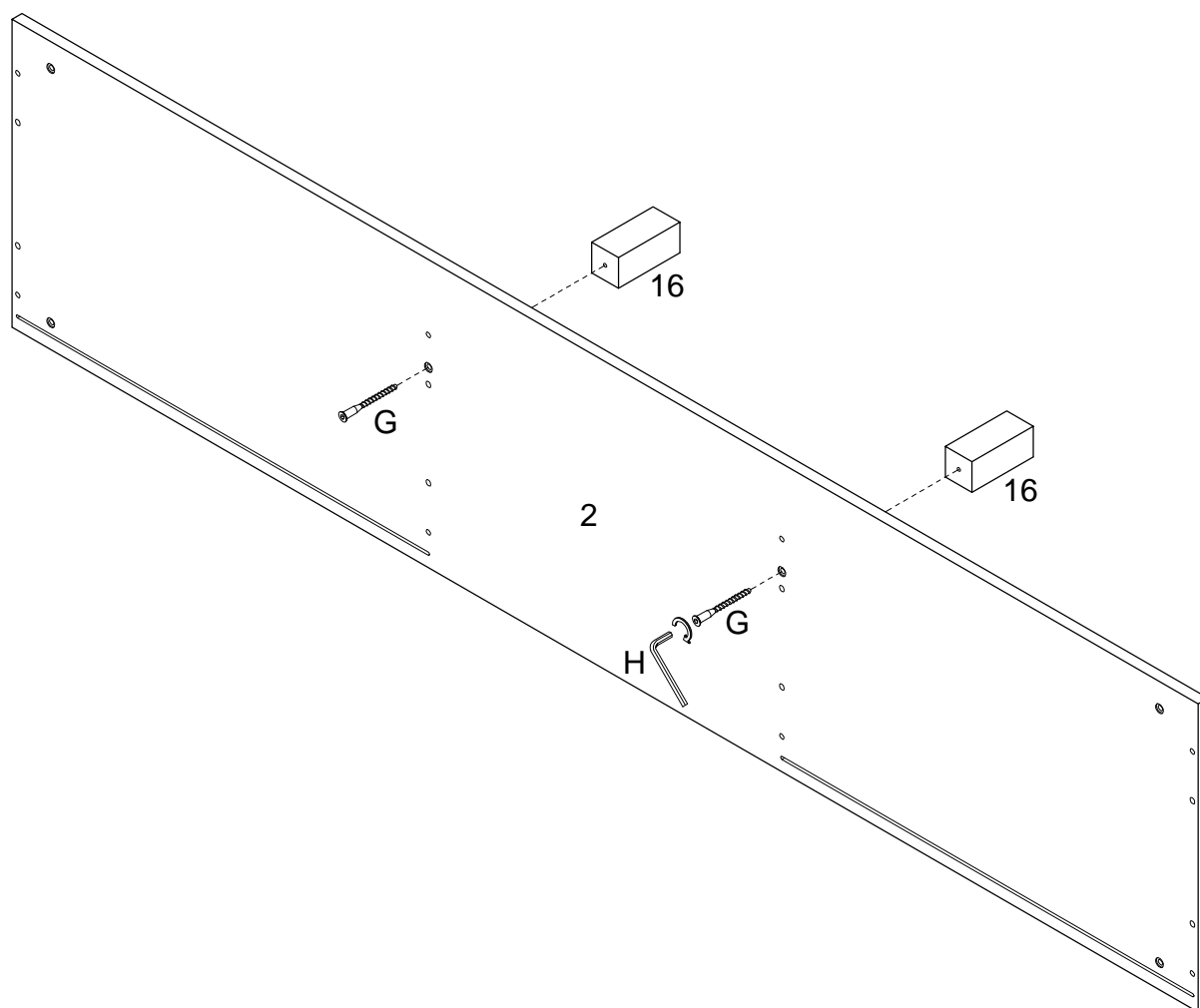
Step 7

Next, insert Dowels (A) into the Long Aprons (13) and the Short Aprons (14).



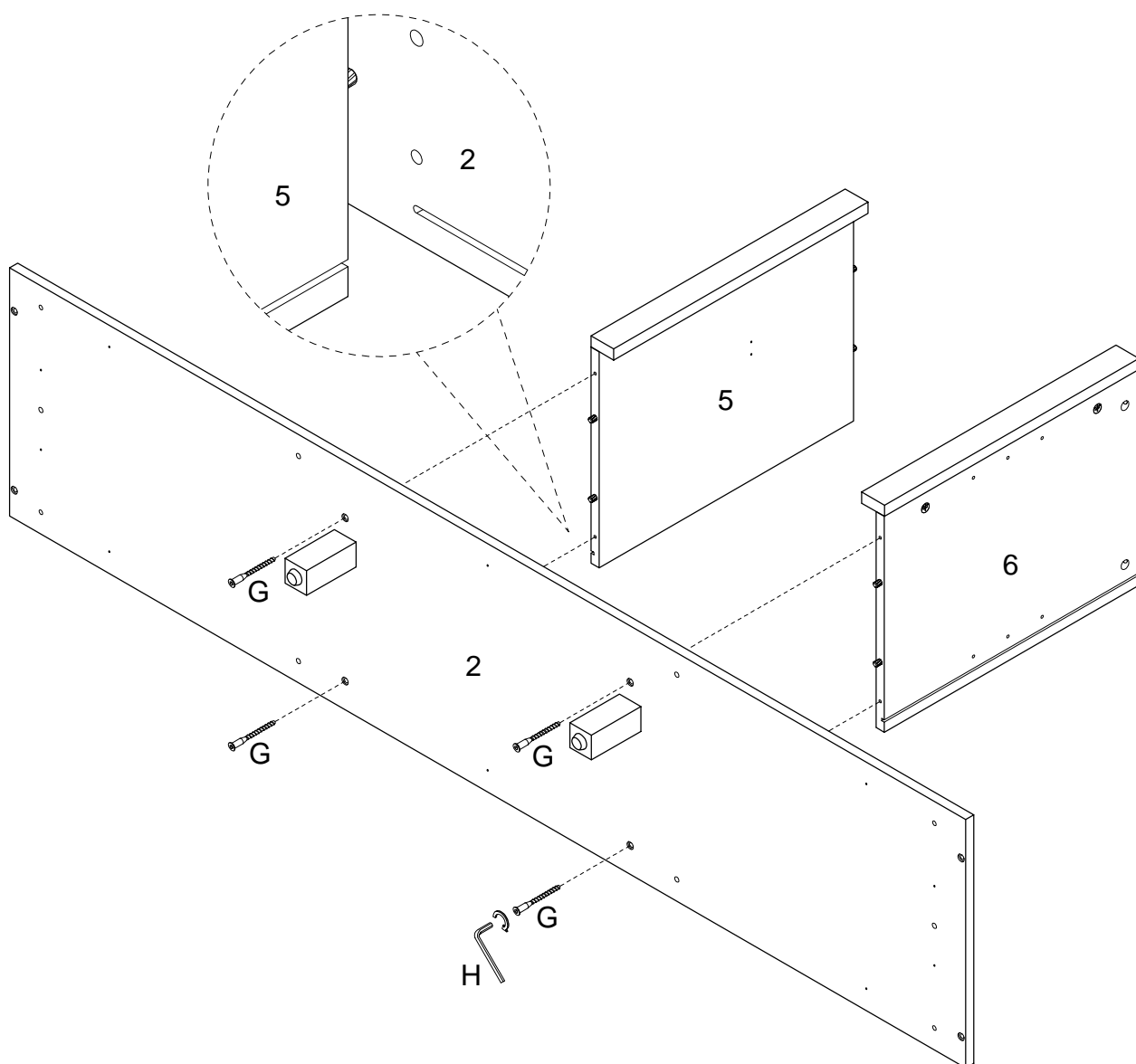
Step 8

Secure each Middle Foot (16) to the Bottom Panel (2) using the 50 mm Bolt (G). Tighten the connection with the Hex key (H).



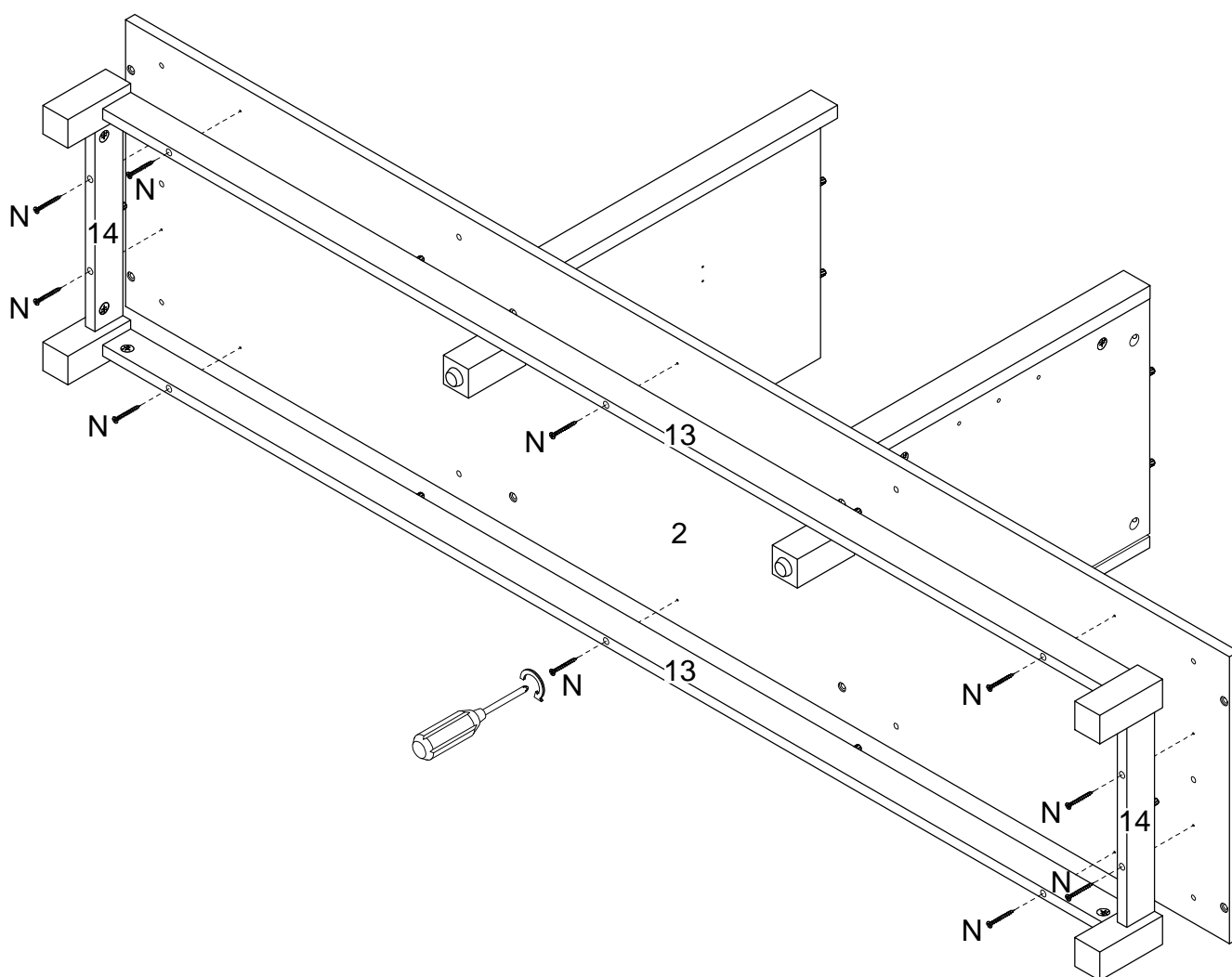
Step 9

Attach the Left Divider Panel (5) and the Right Divider Panel (6) to the Bottom Panel (2) using the 50 mm Bolt (G). Tighten the connection with the Hex key (H).



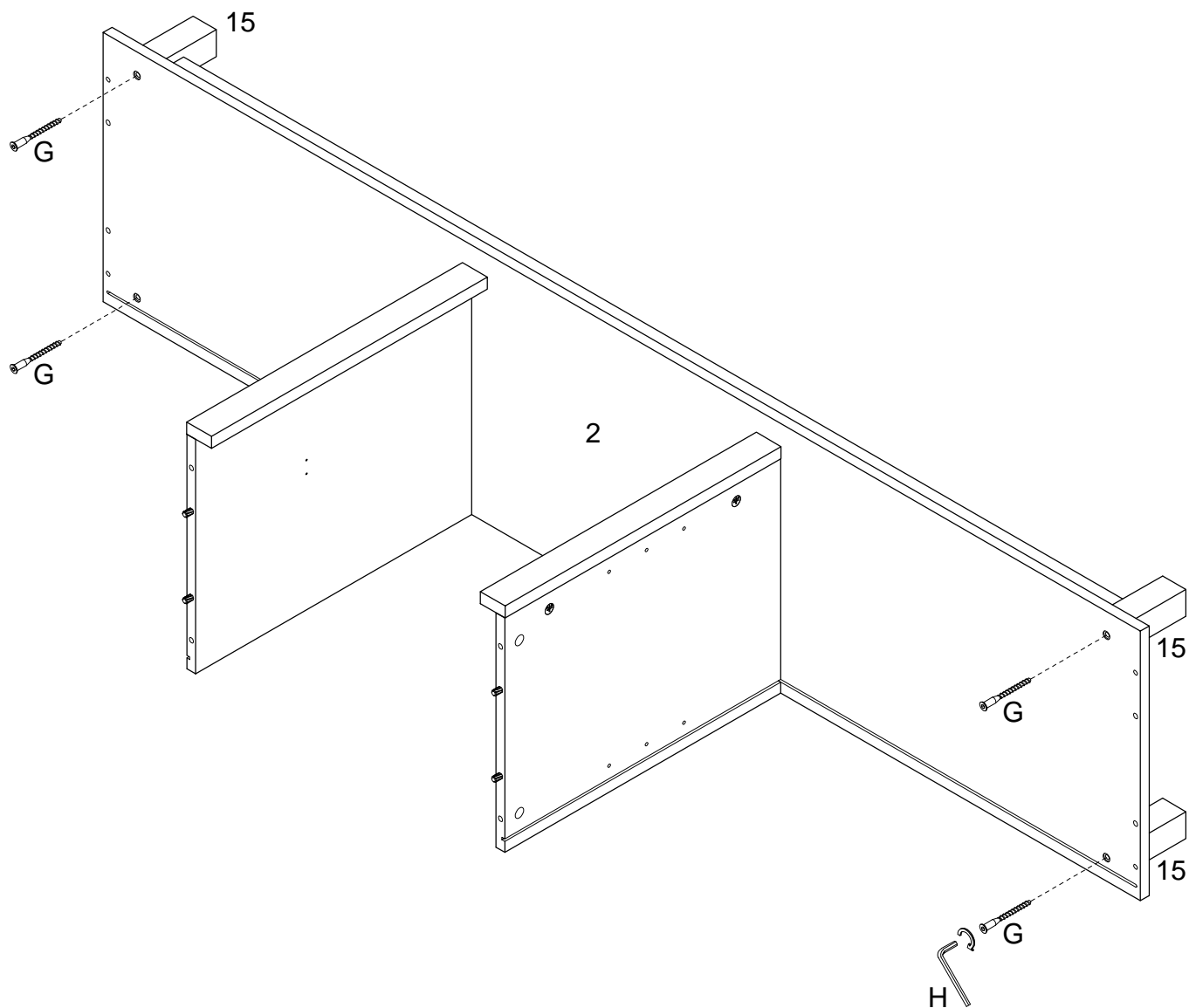
Step 10

Using a screwdriver, secure the bottom frame made with Long Aprons (13) and Short Aprons (14) to the Bottom Panel (2) using the 45 mm Screw (N).



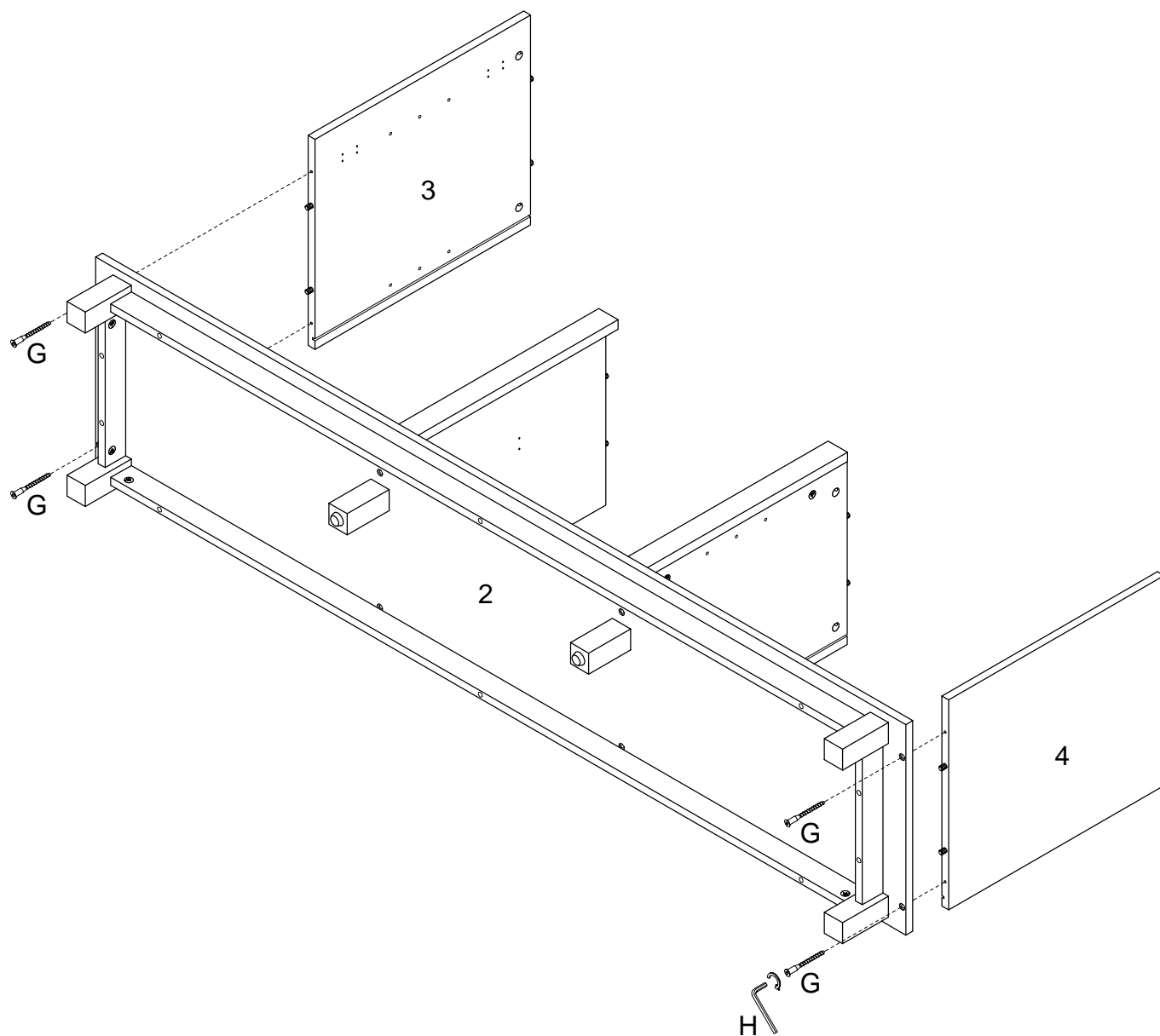
Step 11

Use the 50 mm Bolt (G) to further secure the Legs (15) to the Bottom Panel (2). Tighten the connection with the Hex key (H).



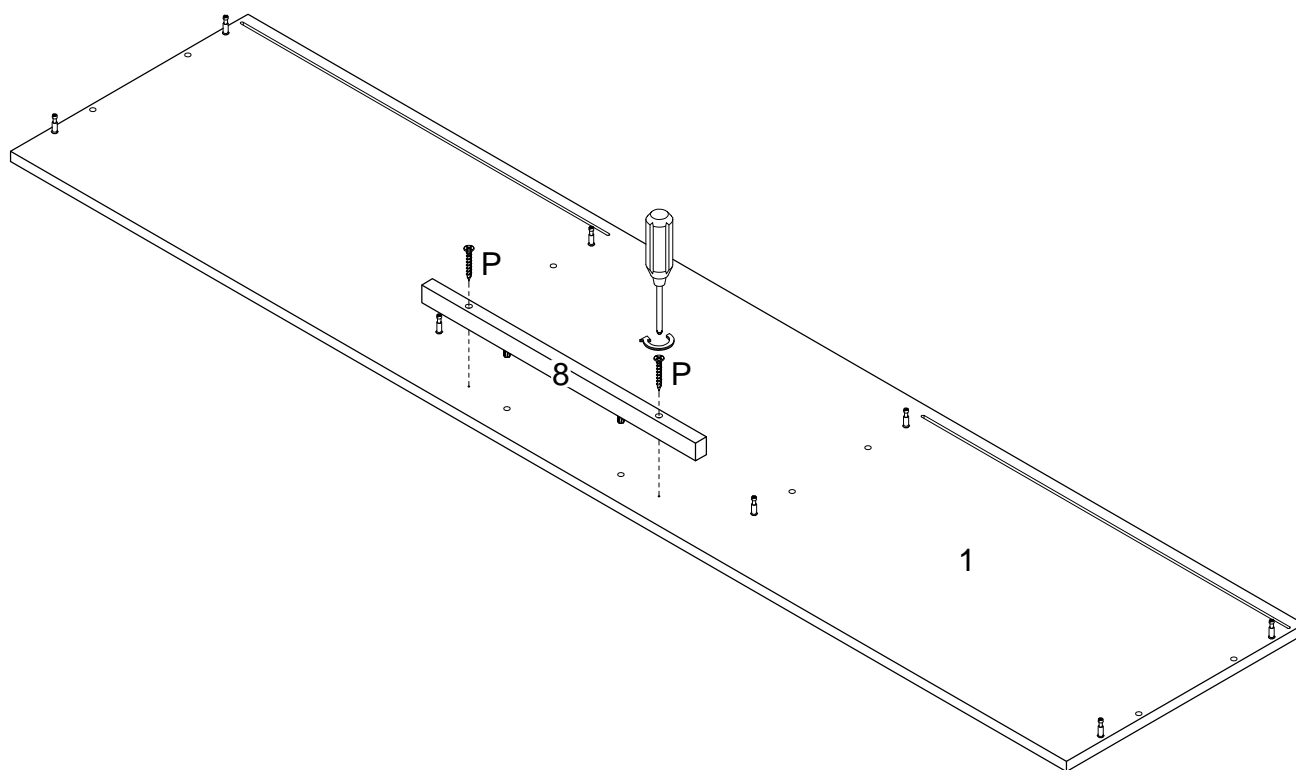
Step 12

Next, attach the Left Panel (3) and the Right Panel (4) to the Bottom Panel (2) using the 50 mm Bolt (G). Ensure a solid connection by tightening with the Hex key (H).



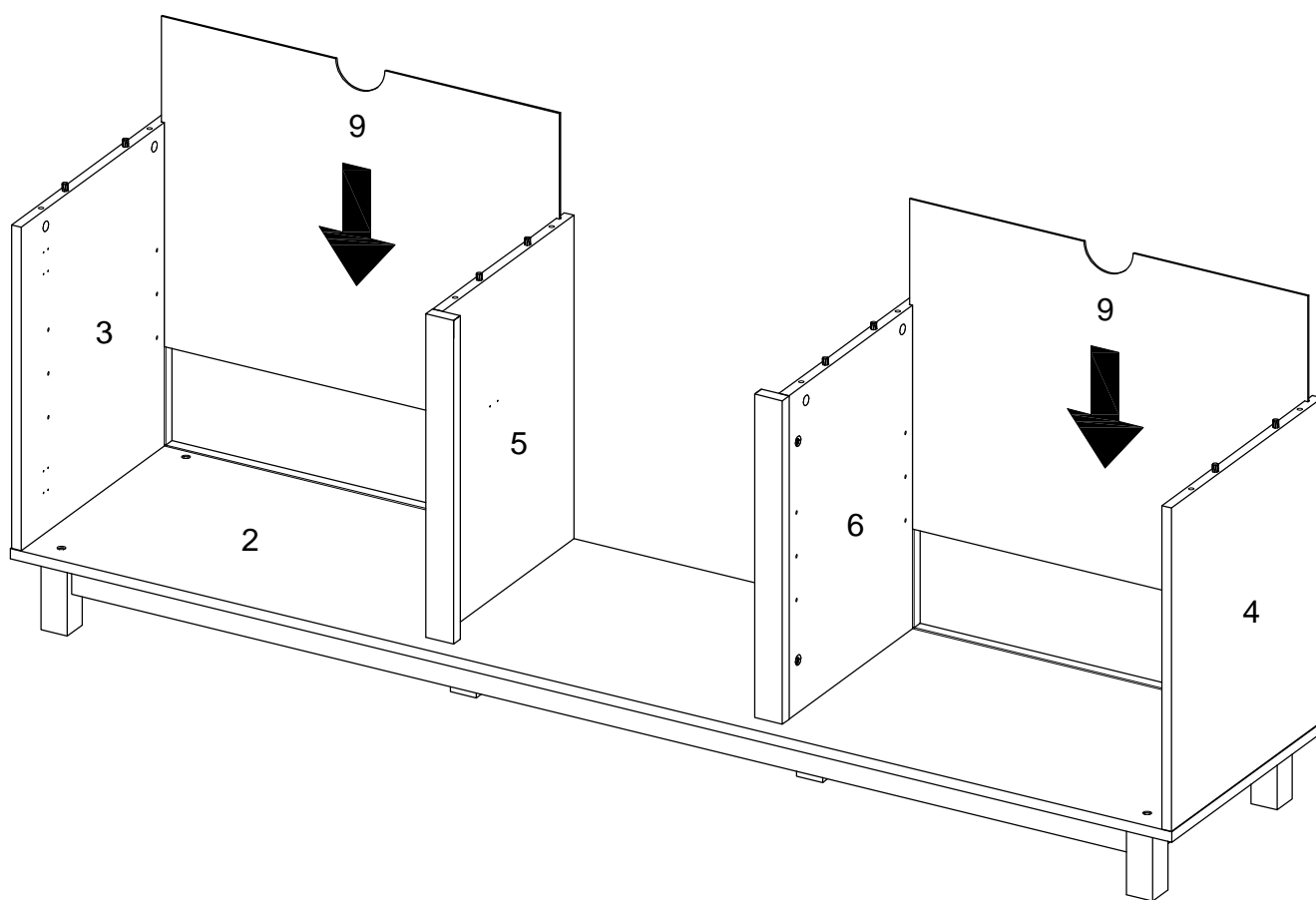
Step 13

Secure the Upper Rail (8) to the Top Panel (1) using the 32 mm Screws (P).



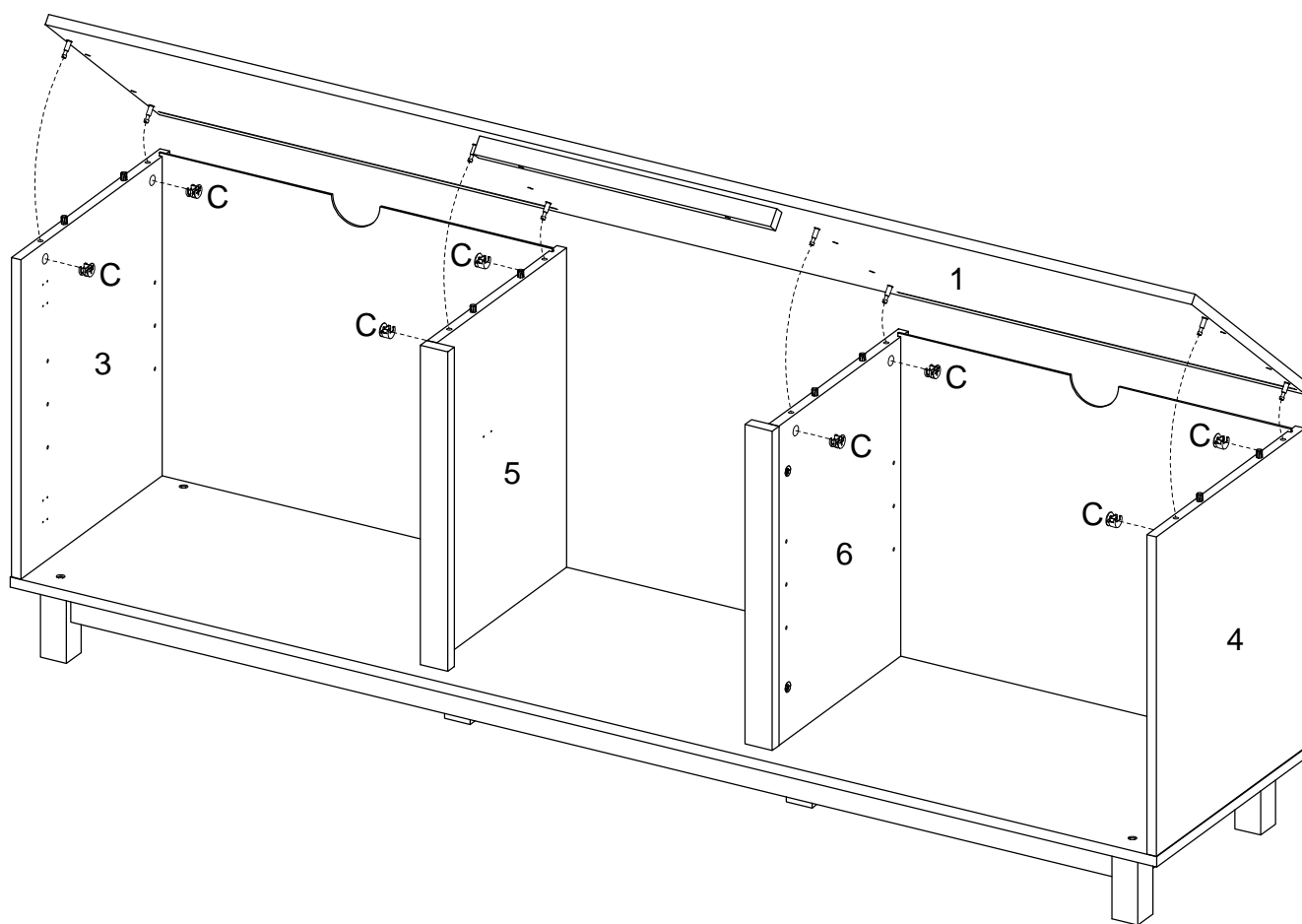
Step 14

Have a friend help you flip the unit so that the Legs (15) are on the floor. Slide the Back Panels (9) into place using the grooves.



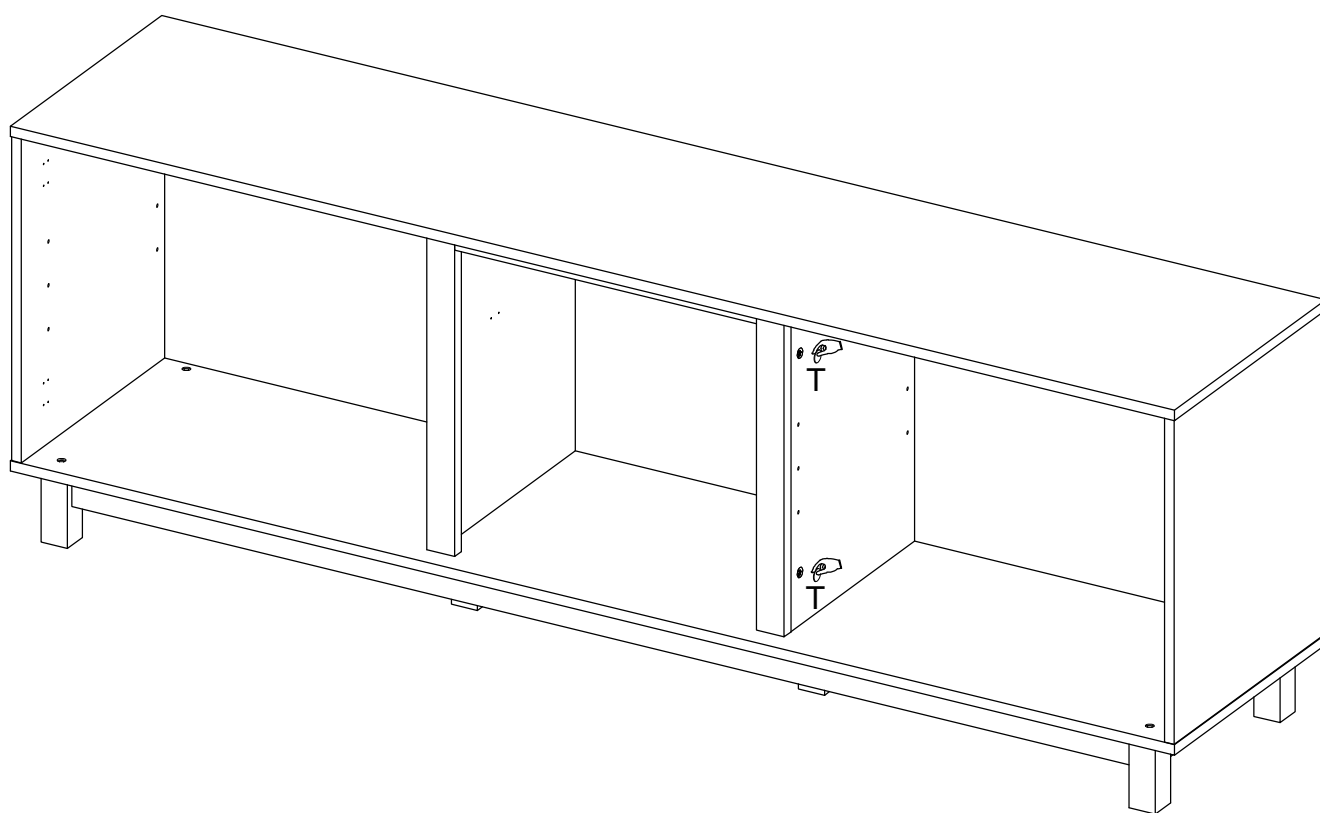
Step 15

Insert the Top Panel (1) into the Left Panel (3), Left Divider Panel (5), Right Divider Panel (6), and the Right Panel (4). Secure with Cam Locks (C) and tighten with a screwdriver.



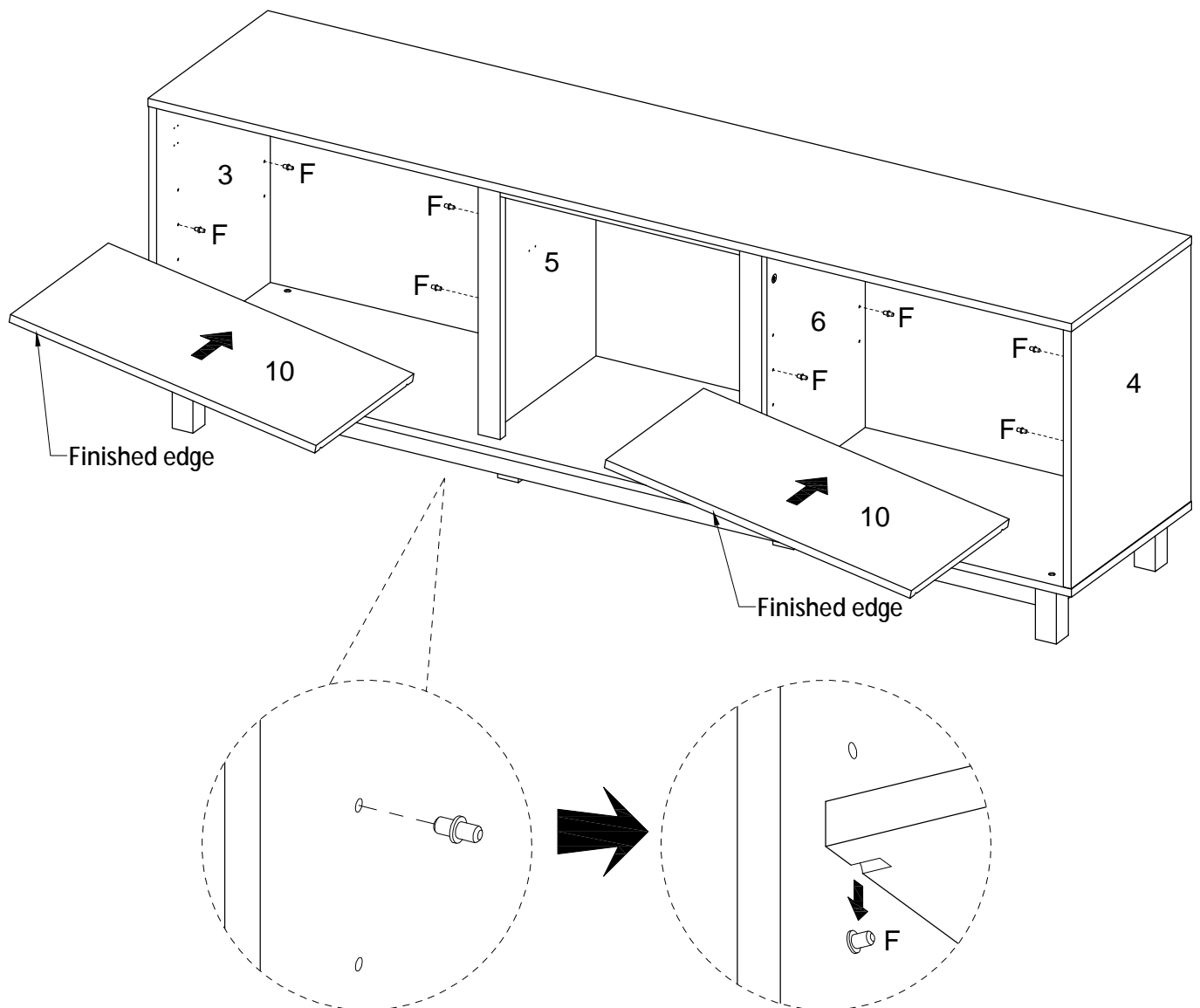
Step 16

Place Stickers (T) over each interior Cam Lock (C) to ensure a clean finish.



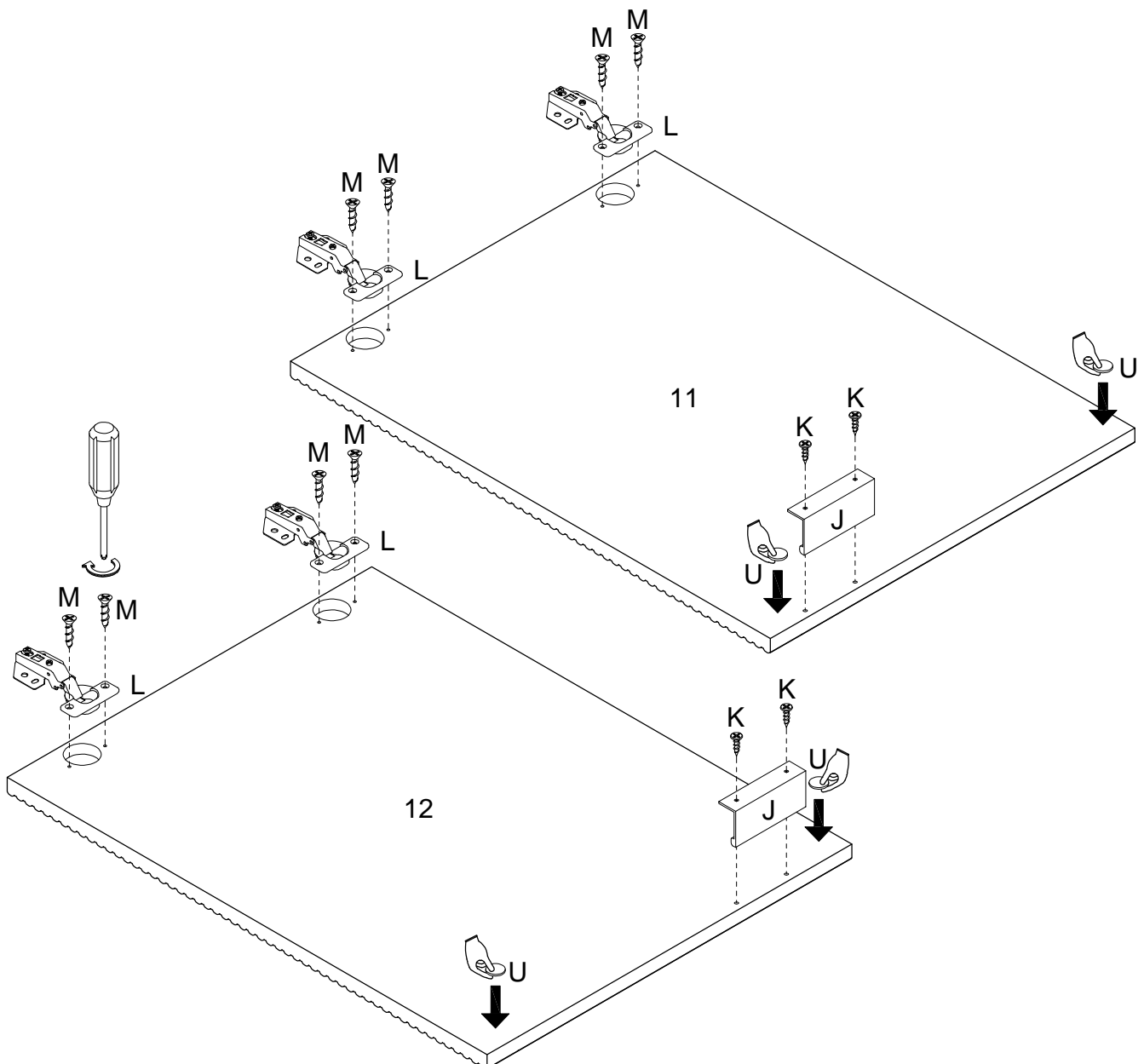
Step 17

Insert the Shelf support pins (F) into the Left Panel (3), Left Divider Panel (5), Right Divider Panel (6), and the Right Panel (4). Then, with the finished edge facing out, slide the Adjustable Shelves (10) into place. Make sure the notches on the shelves fit onto the Shelf support pins (F).



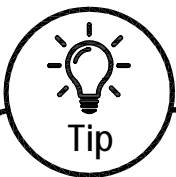
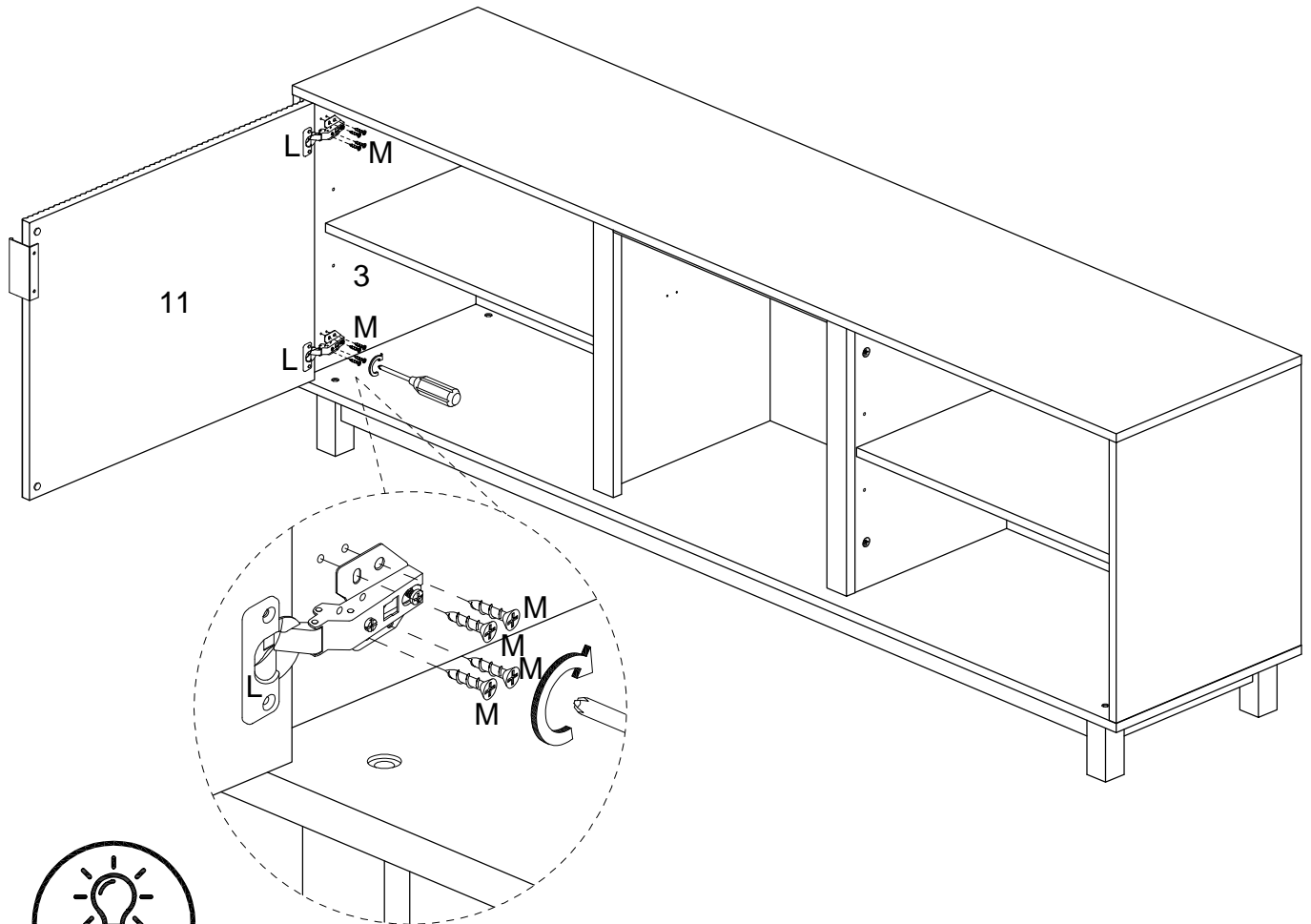
Step 18

Now, attach the Handles (J) to the Left Door (11) & Right Door (12) using the 12 mm Screws (K). On the same side as the Handles (J), secure the Silicone pads (U) to both corners. Then, attach the Hinges (L) to each door using the 3.5x14 mm Screws (M).



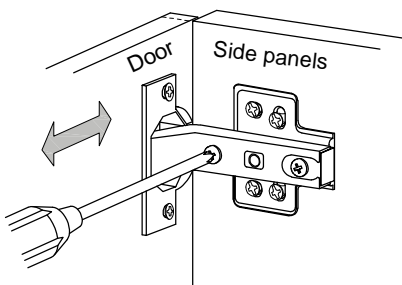
Step 19

Using a screwdriver, attach the Left Door (11) to the Left Panel (3) using the 14 mm Screws (M).

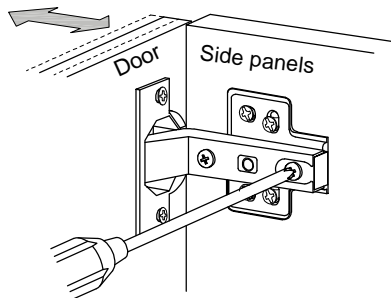


Tip

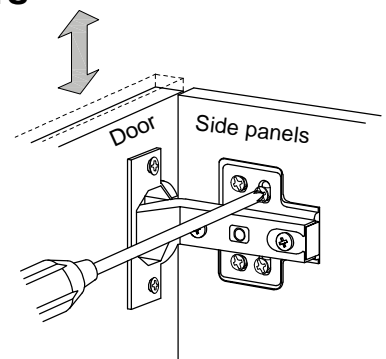
Adjusting The Cabinet Doors



Adjust horizontal width with this screw.



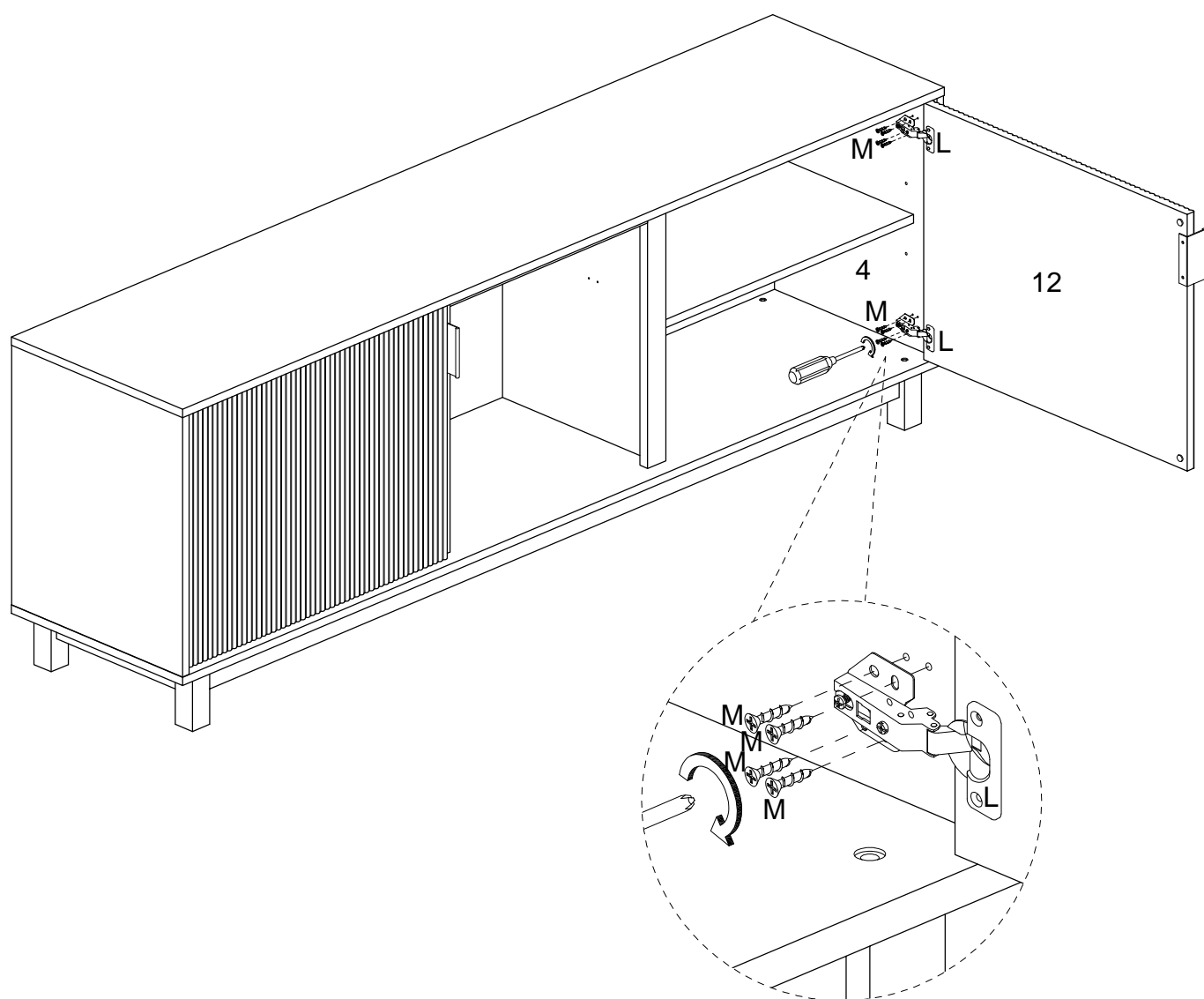
Adjust depth position by loosening the hinge arm mounting screw.



Adjust vertical height via the screws in the mounting plate.

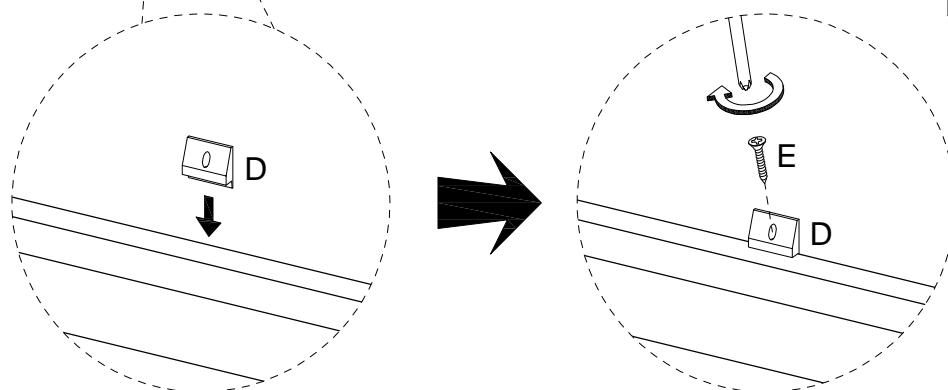
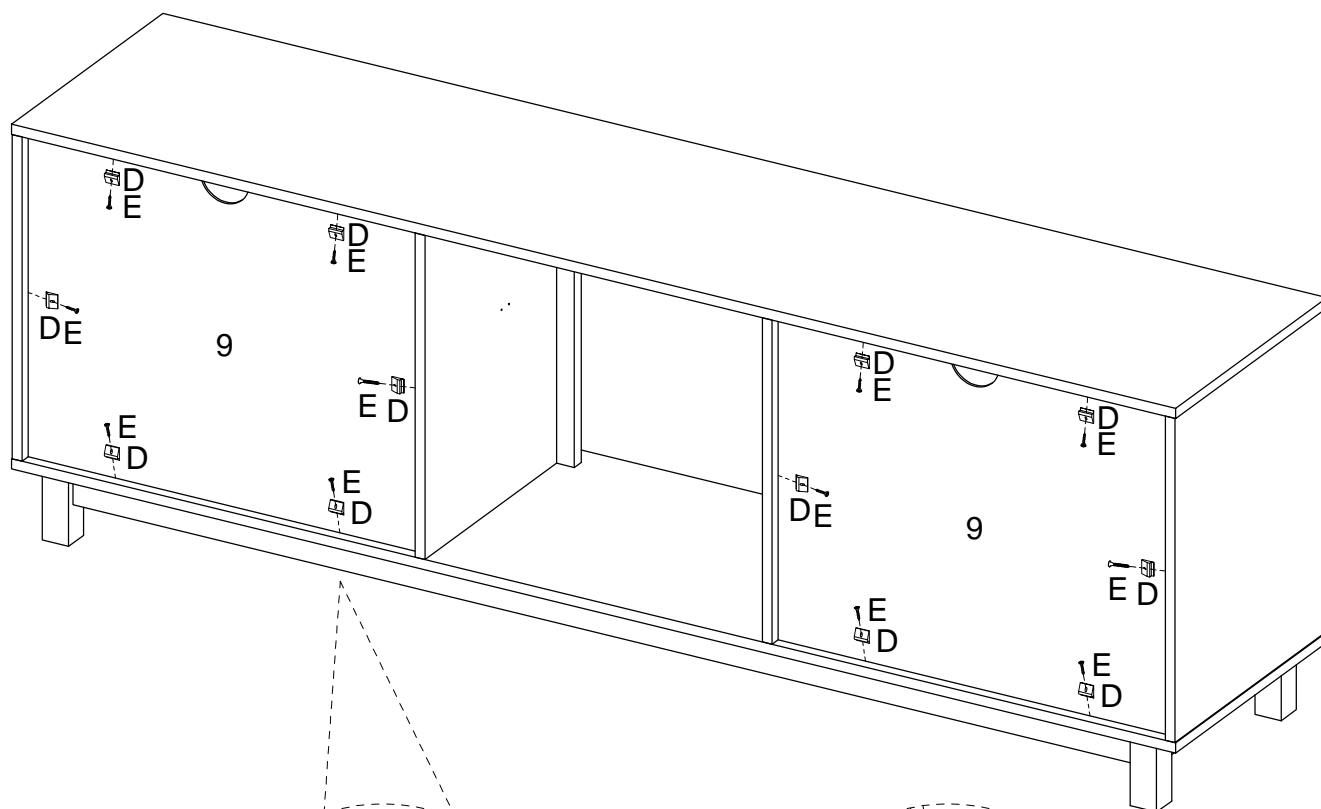
Step 20

Now, let's attach the Right Door (12) to the Right Panel (4) using the 14 mm Screws (M).



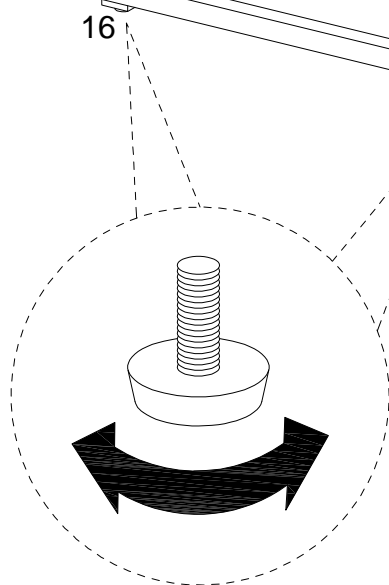
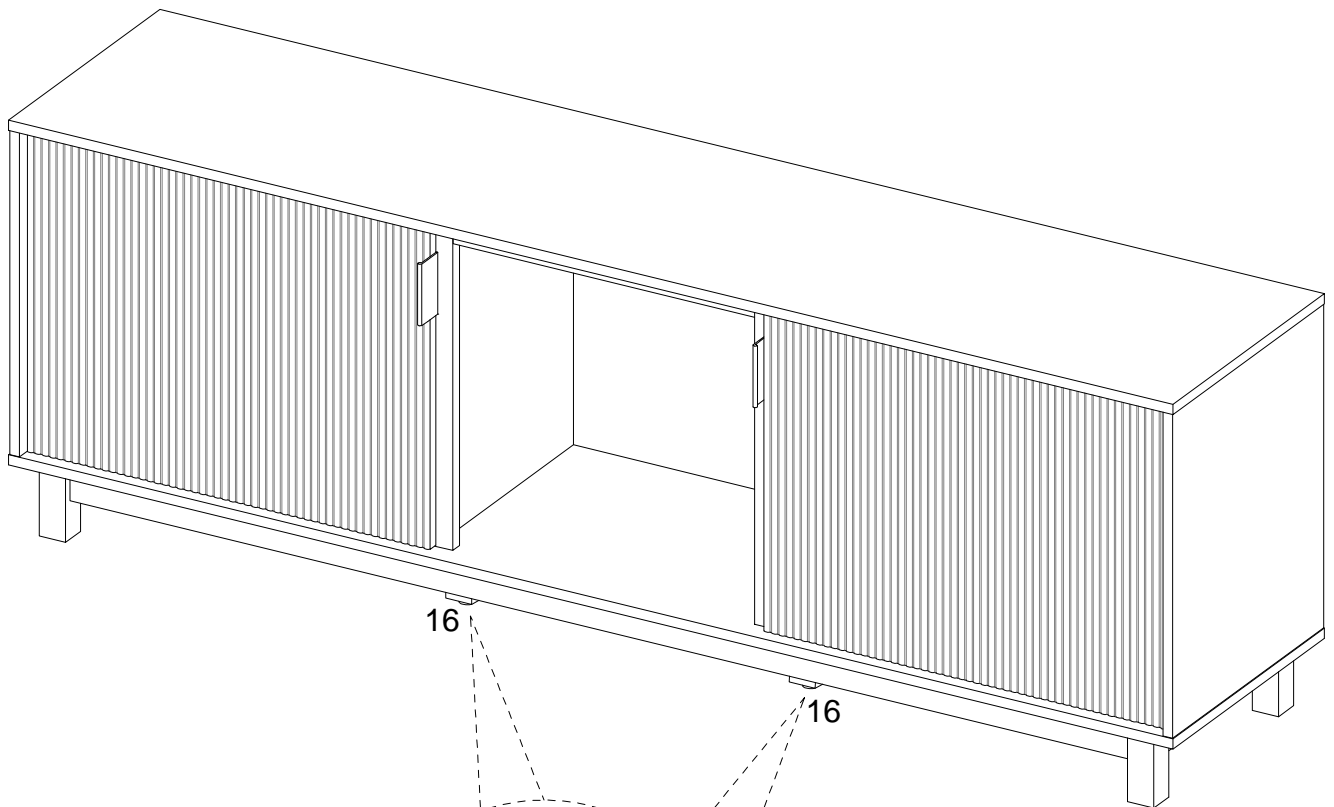
Step 21

Evenly space the Plastic Wedges (D) between the Back Panels (9) and the frame. Secure the wedges into place using the 17 mm Screws (E).



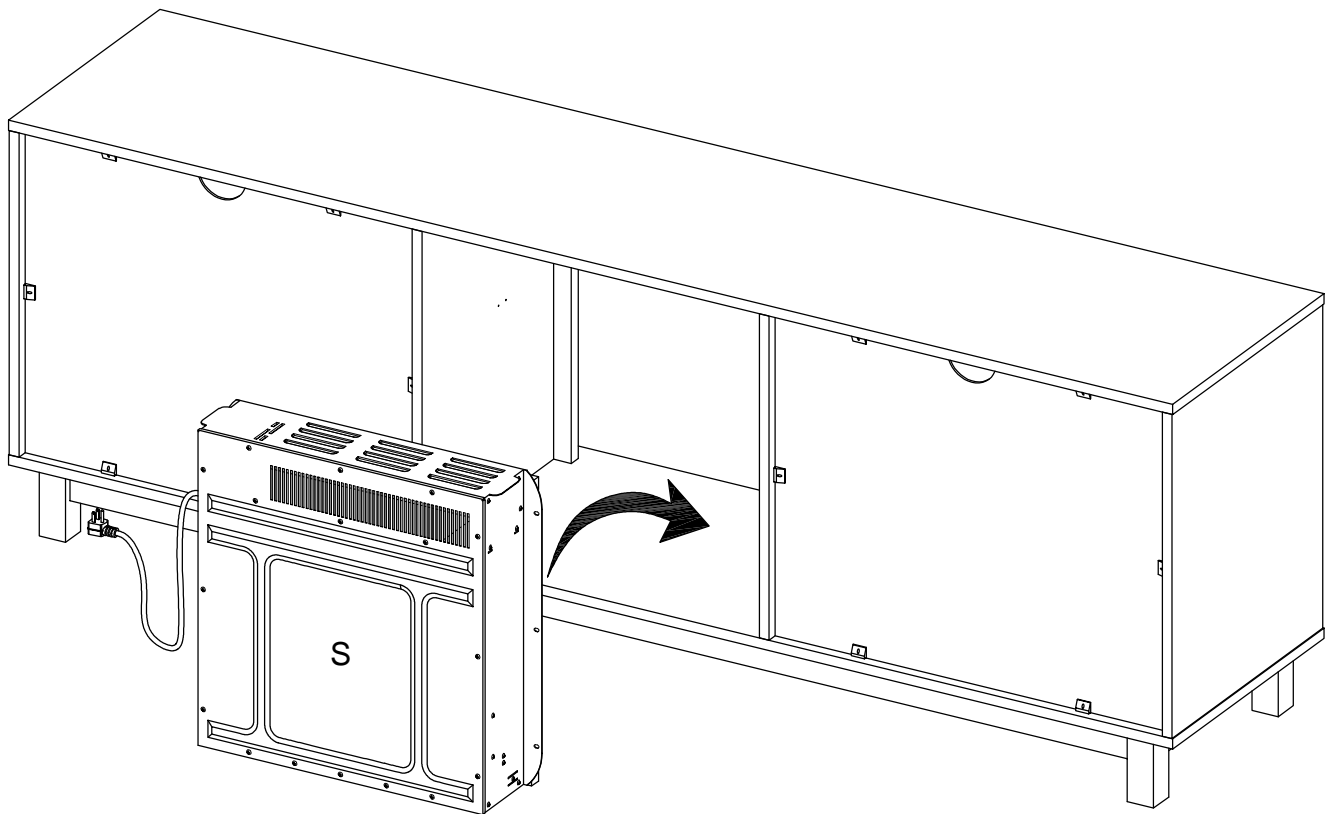
Step 22

Use the adjustable Feet (16) to ensure a level surface.



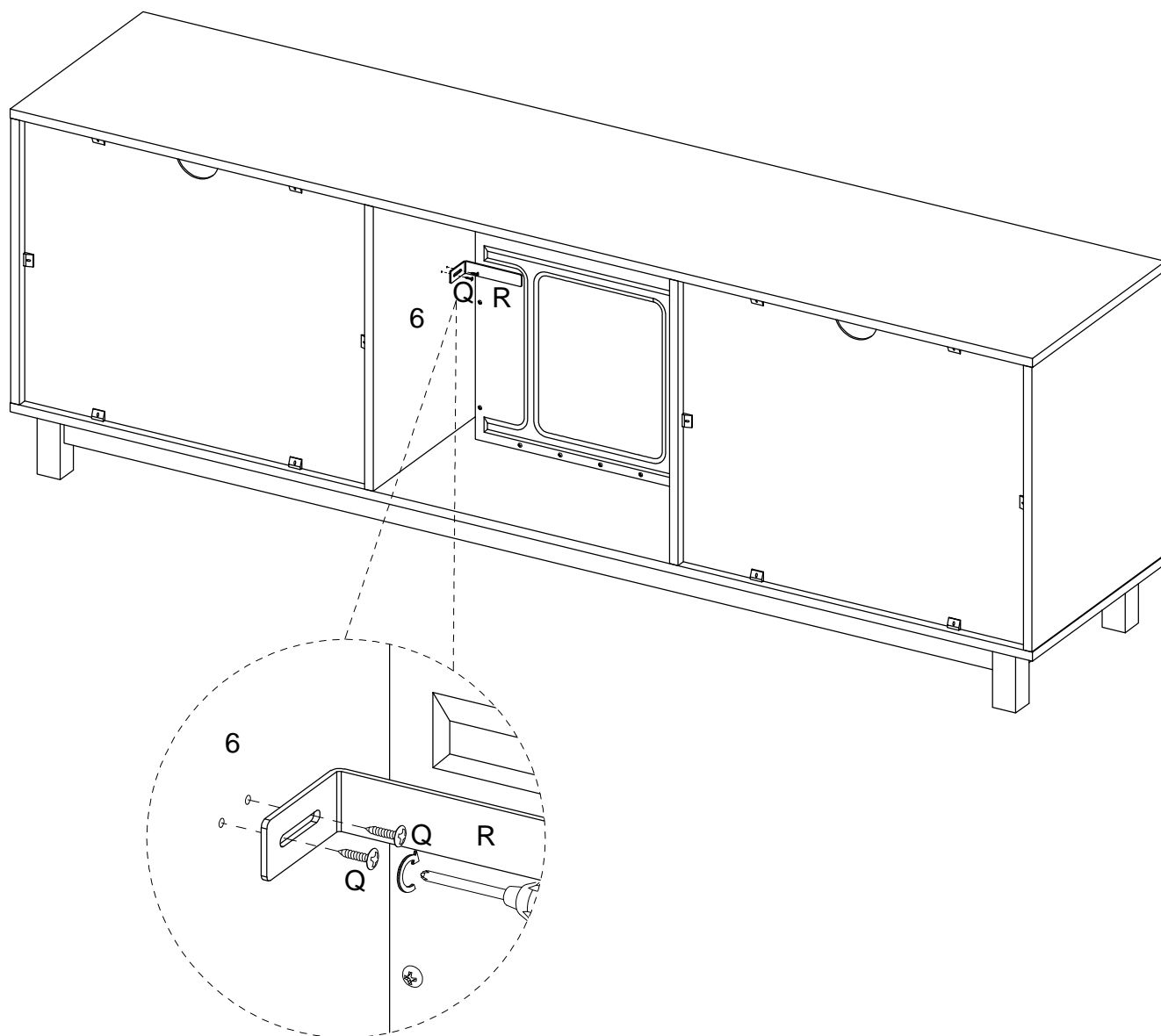
Step 23

Insert the Fireplace Insert (S) into place on the back side of the tv stand.



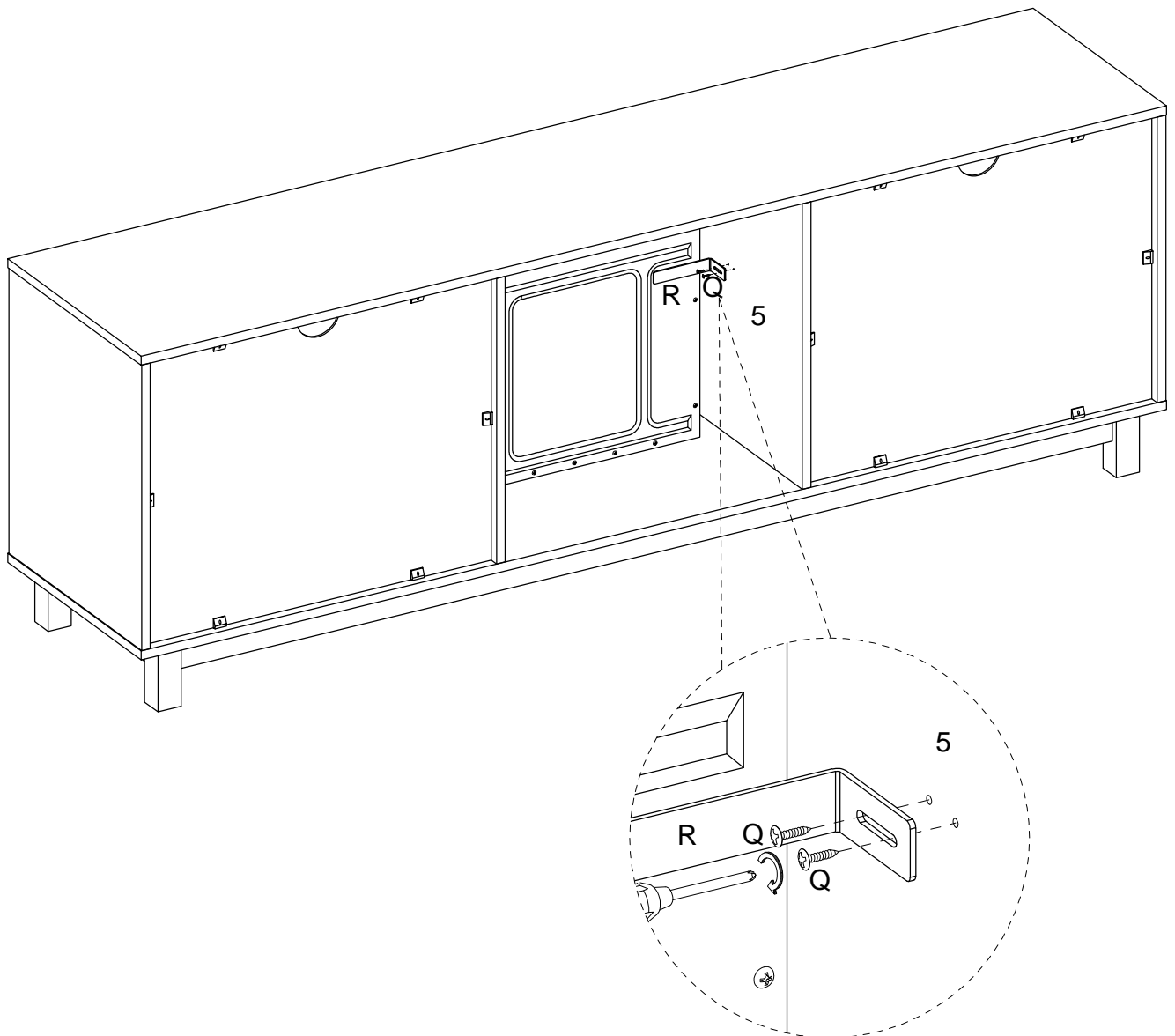
Step 24

Attach the Fireplace Insert (S) to the tv stand by attaching the L-Shaped Bracket (R) to the Right Divider Panel (6) using 12mm Screws (Q).



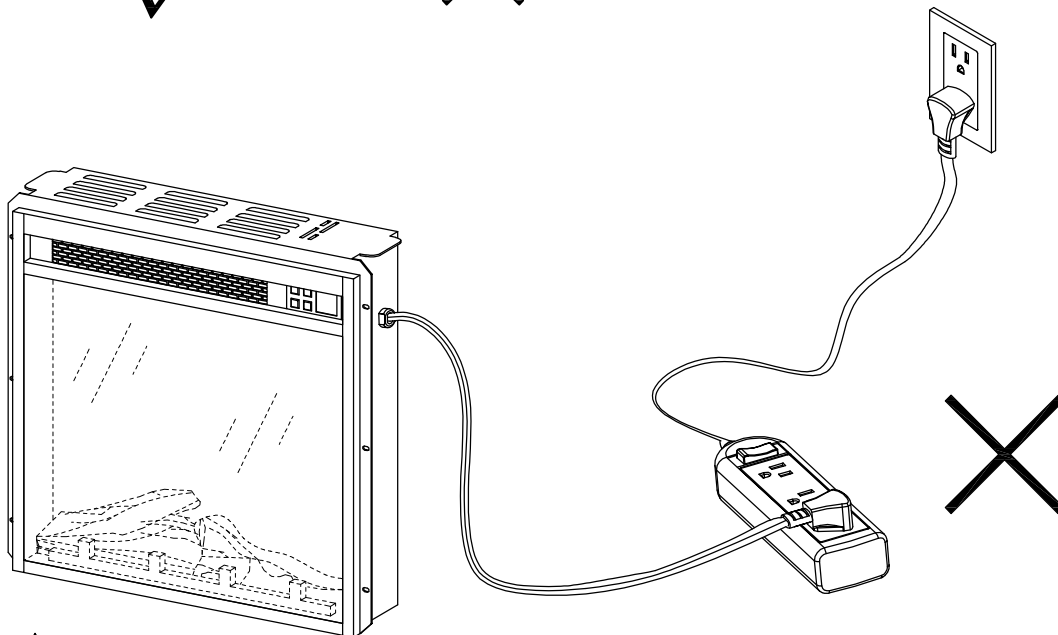
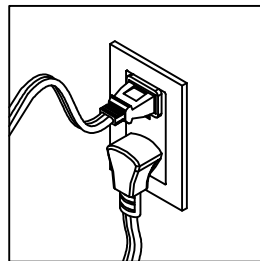
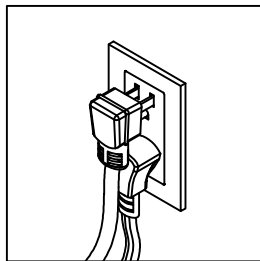
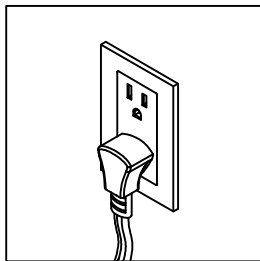
Step 25

Repeat for the other side. Attach the other L-Shaped Bracket (R) to the Left Divider Panel (5) using 12mm Screws (Q).



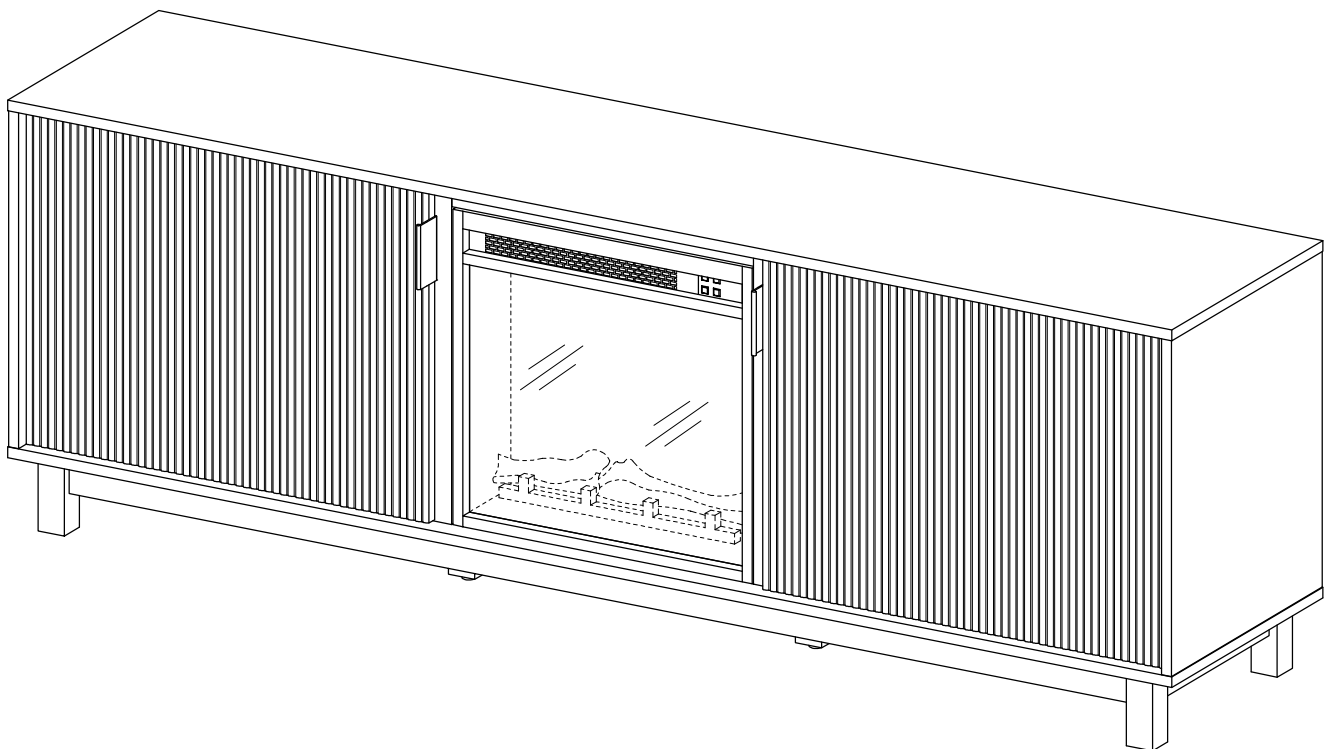
Step 26

For your safety, please ensure that your Fireplace is securely plugged into the wall outlet, and that it is the only device connected to the outlet.



Final Assembly

Congratulations, you did it! Cozy up and enjoy your new fireplace tv stand!



Congratulations on your new piece of furniture!
We would love to hear about it and see it.
Please leave us a review or post a picture with
[#mywalkerredisonhome](#)

Assembling furniture can be tricky sometimes.

Our customer service team, located in Utah, is here for product information, help assembling a product, or for any other customer support issue

Call us at **801-433-3008**

Email us at service@walkeredison.com

Visit our Customer Service website at
walkeredison.com/pages/customer-service

We are available to help Monday -Thursday 8am-5pm, Friday
8am-3pm MST

For details on Assembly Videos, Assembly Instructions,
Replacement Parts, and Customer service,
SCAN HERE

