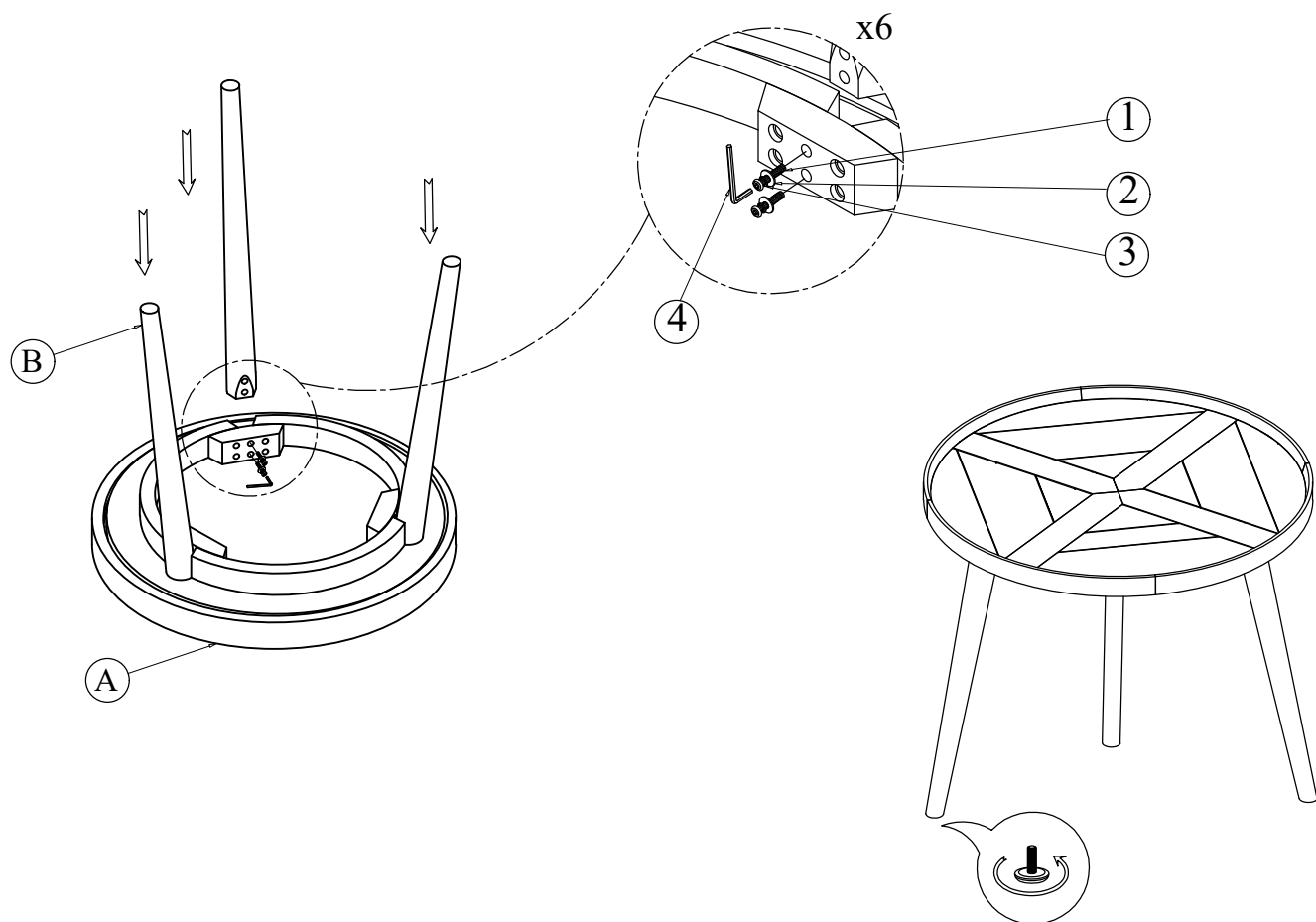


# B E R N H A R D T LOFT BERNHARDT

## ASSEMBLY INSTRUCTIONS FOR 298/398-125 END TABLE

Thank you for purchasing Bernhardt Furniture. Be sure to check all packing materials carefully to ensure proper assembly.

Please read all instructions carefully before starting the assembly process. Some parts are large and heavy and require at least two people to assemble, to prevent possible injury and/or damage to the furniture.



### PARTS LIST

| NO. | DRAWING | DESCRIPTION    | SIZE   | QTY. | NO. | DRAWING | DESCRIPTION | QTY. |
|-----|---------|----------------|--------|------|-----|---------|-------------|------|
| 1   |         | Bolts          | 1/4*60 | 6    | A   |         | Top         | 1    |
| 2   |         | Washers        | 1/4    | 6    |     |         |             |      |
| 3   |         | Spring washers | 1/4    | 6    |     |         |             |      |
| 4   |         | Allen key      | M4*60  | 1    | B   |         | Wood leg    | 3    |

### ASSEMBLY INSTRUCTIONS

1. Attach Wood legs (B) to underside of Top (A) using: Bolts (1), Washers (2), Spring washers (3). Tighten Bolts with provided Allen key (4).
2. Turn Adjustable Leveler on the bottom of Leg until it contacts the floor.

### CLEANING INSTRUCTIONS

Clean surfaces with a soft damp cloth. Dry immediately