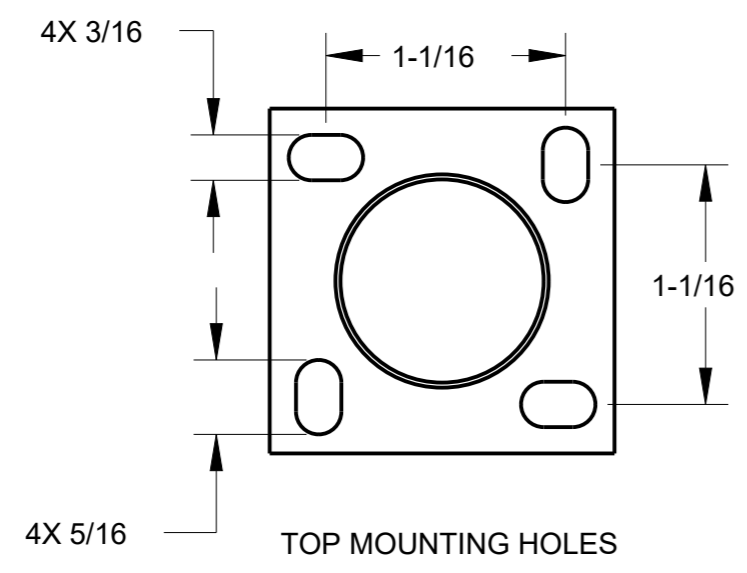
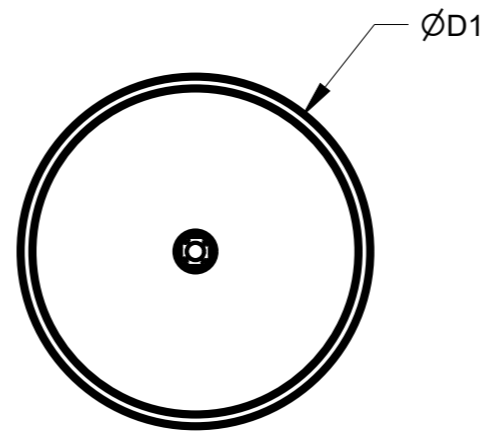
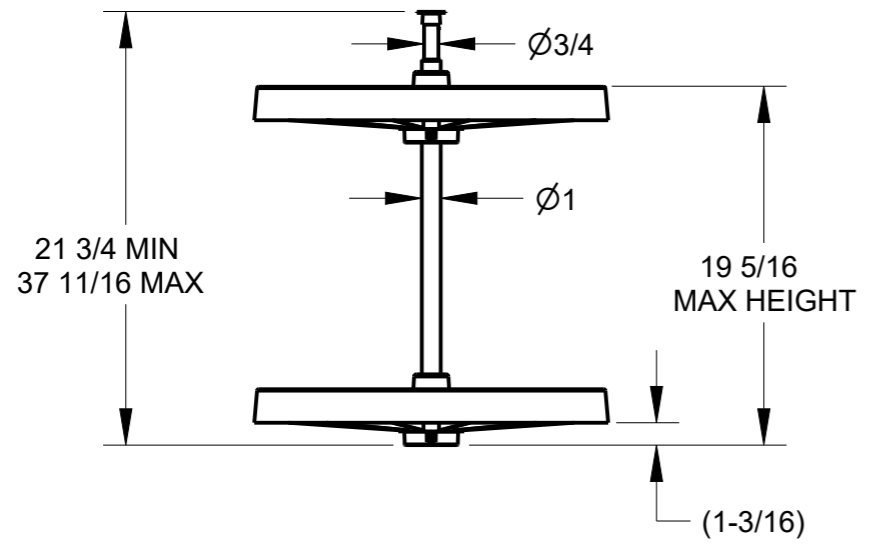
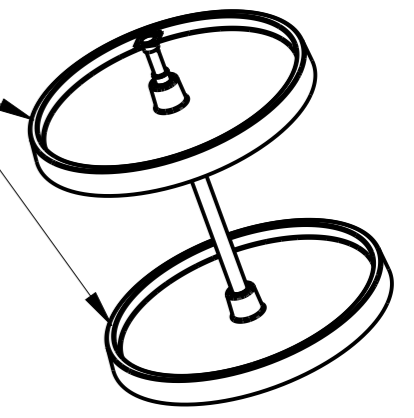


8 7 6 5 4 3 2 1

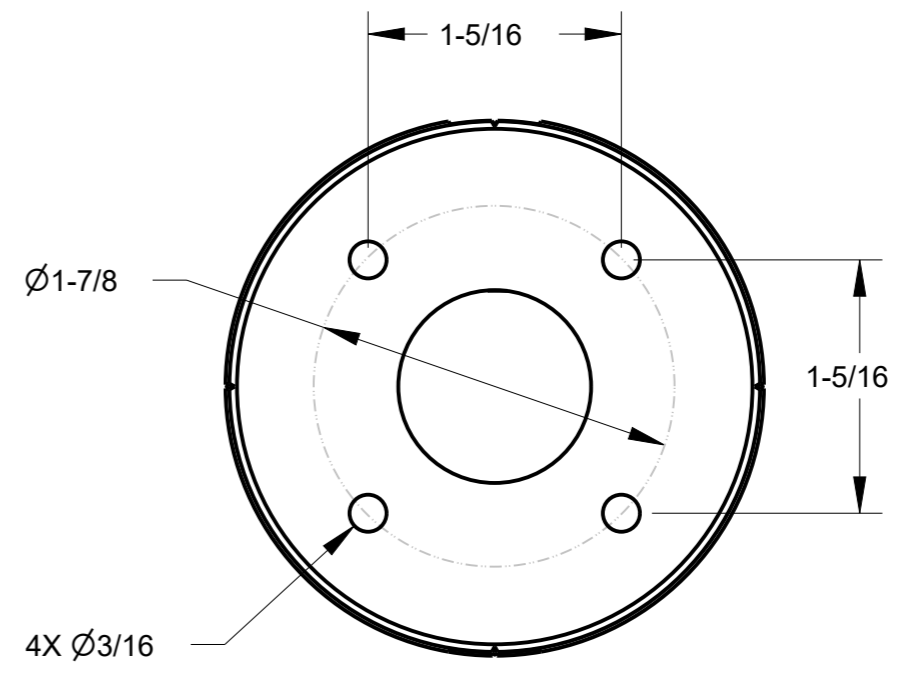
F
E
D
C
B
A

ITEM	D1
PLSR218	18
PLSR224	23 13/16
PLSR228	27 13/16

INDEPENDENT ROTATING PLASTIC SHELVES



SCALE 1.200



BOTTOM MOUNTING HOLES

SCALE 1.000



HARDWARE RESOURCES RESERVES THE RIGHT TO CHANGE SPECIFICATIONS WITHOUT NOTICE. IN CASE OF A DISCREPANCY, ACTUAL PART GEOMETRY SUPERSEDES THIS DOCUMENT.

THE INFORMATION CONTAINED WITHIN THIS DRAWING IS THE SOLE PROPERTY OF HARDWARE RESOURCES INC. ANY REPRODUCTION IN PART OR WHOLE WITHOUT WRITTEN PERMISSION OF HARDWARE RESOURCES INC. IS PROHIBITED.

DOCUMENT STATUS Released		DESCRIPTION	
UNLESS OTHERWISE SPECIFIED DIMENSIONS ARE IN INCHES (IN)		LAZY SUSAN, ECONOMY, PLASTIC, ROUND, 2 SHELF	
MATERIAL N/A	FINISH N/A	DRAWING NUMBER PLSR218-224-228	REV A
THIRD ANGLE PROJECTION		SIZE A3	SHEET 1 / 1
		SCALE 0.100	
		DATE 06SEP2022	

8 7 6 5 4 3 2 1