



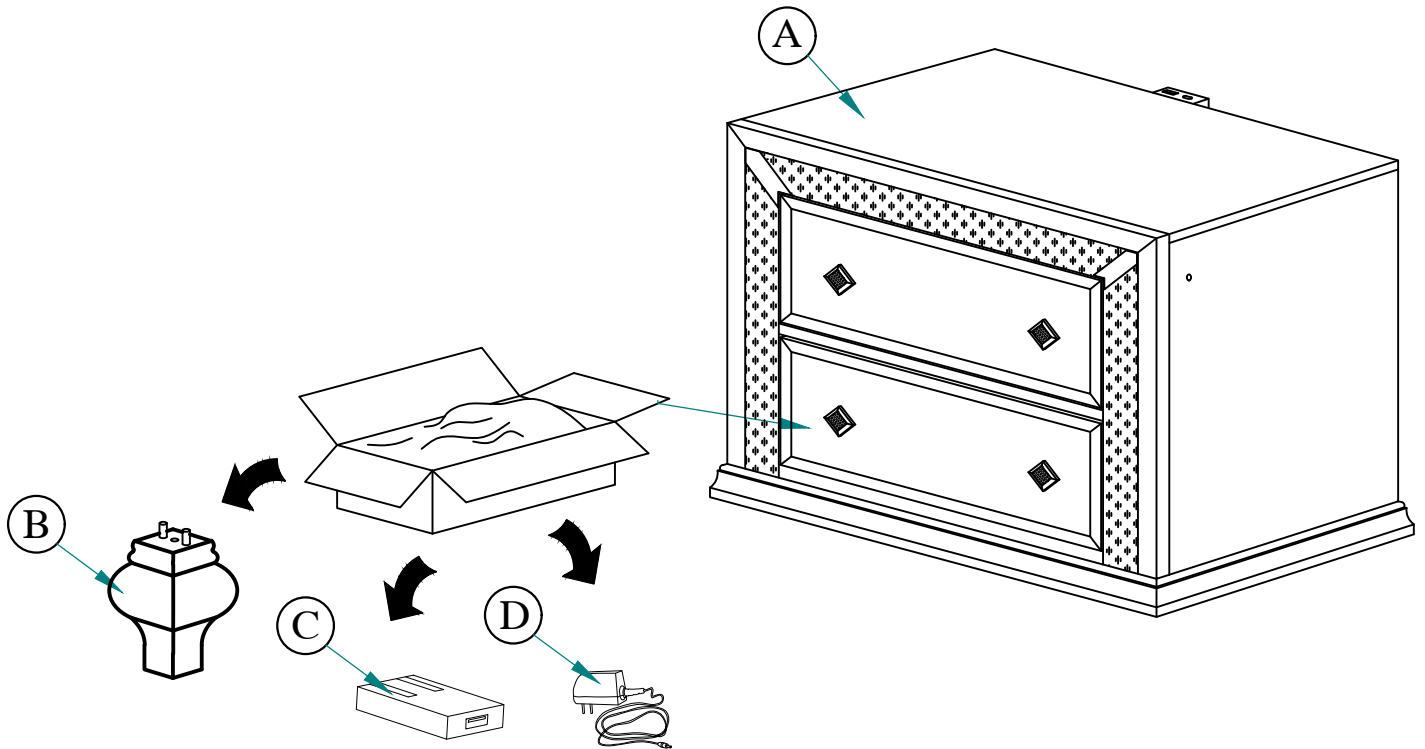
Thank you for purchasing this quality product. Be sure to check all packing materials carefully for small parts which may have come loose inside the carton during shipment. Identify and count all items and compare with the parts list and hardware list shown below.

PARTS LIST			
NO	DESCRIPTION	SKETCH	QTY
A	NightStand		1pc
B	Bun Foot		4pcs
C	Plug		1pc
D	AC/DC Adapter		1pc

HARDWARE LIST			
NO	DESCRIPTION	SKETCH	QTY
1	Allen Key - M4		1pc
2	Bolt - M6 x 3-1/8"		4pcs
3	Spring Washer - M6		4pcs
4	Anti-Tipping Kit		1set

PLACE WOOD PARTS ON A
CLEAN NON-ABRASIVE SURFACE

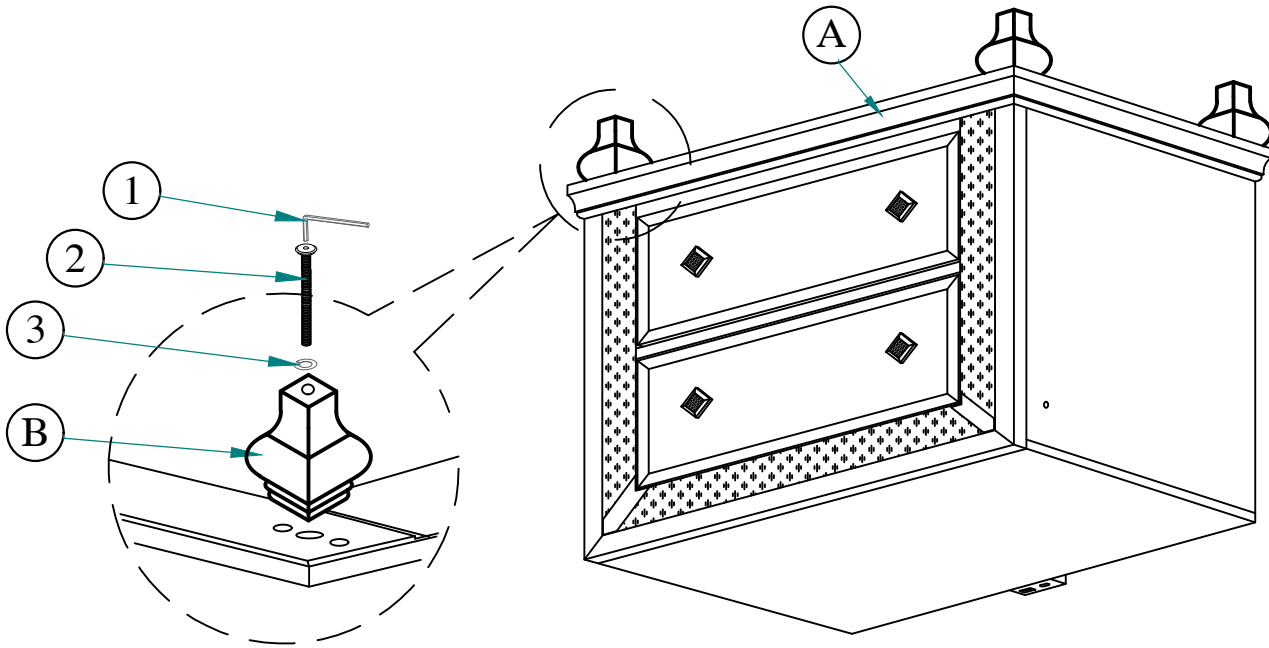
Step 1: Locate the Bun Foot (B), Plug (C), and AC/DC Adapter (D) inside boxes at the bottom drawer of the NightStand (A).





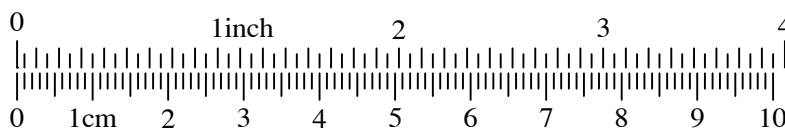
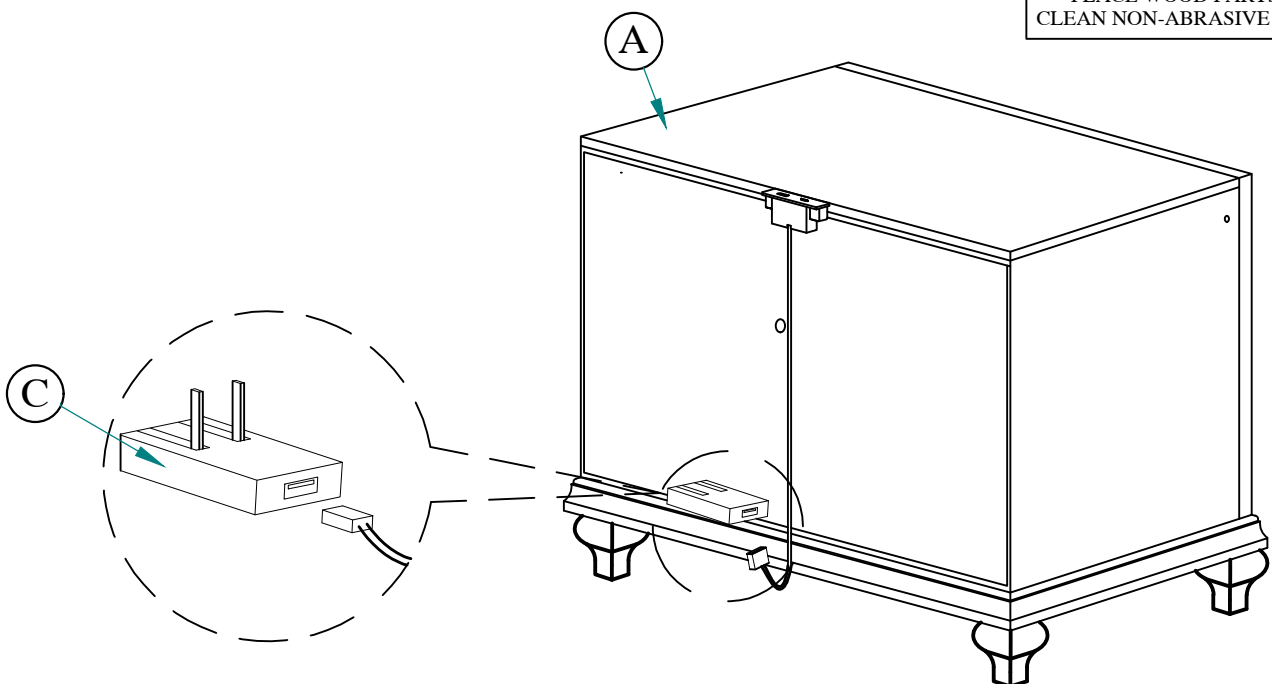
PLACE WOOD PARTS ON A
CLEAN NON-ABRASIVE SURFACE

Step 2: Assemble the Bun Foot (B) to the NightStand (A) by using Allen Key (1) and the hardware Bolt (2), and Spring Washer (3).



Step 3: Connect the Plug (C) to the USB wire on the back of NightStand (A).

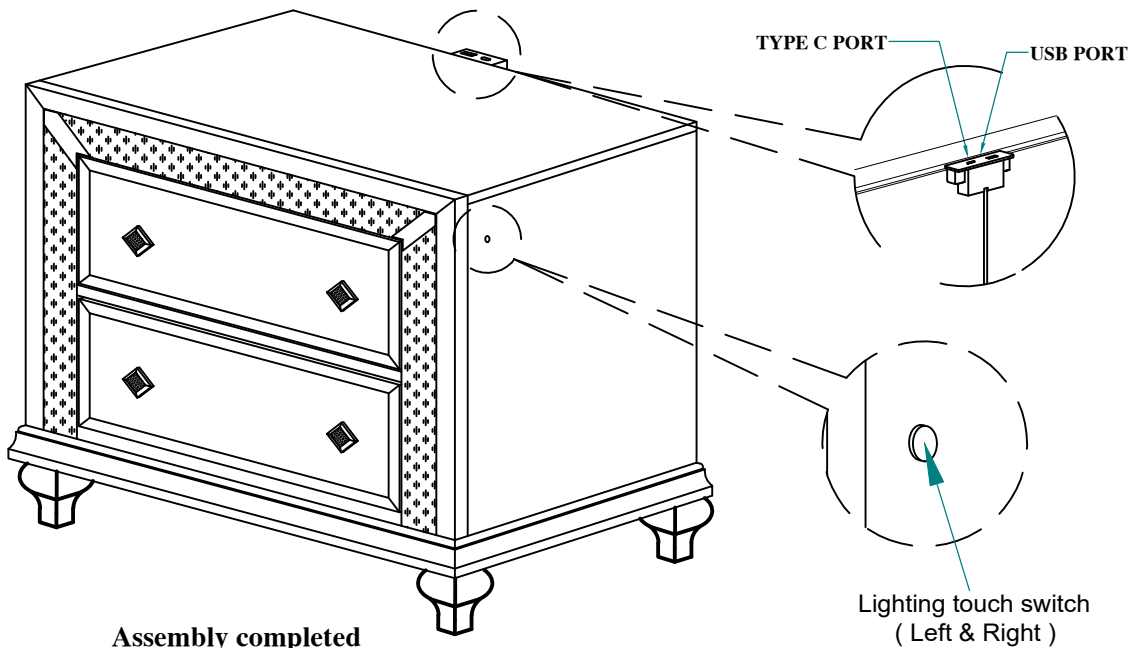
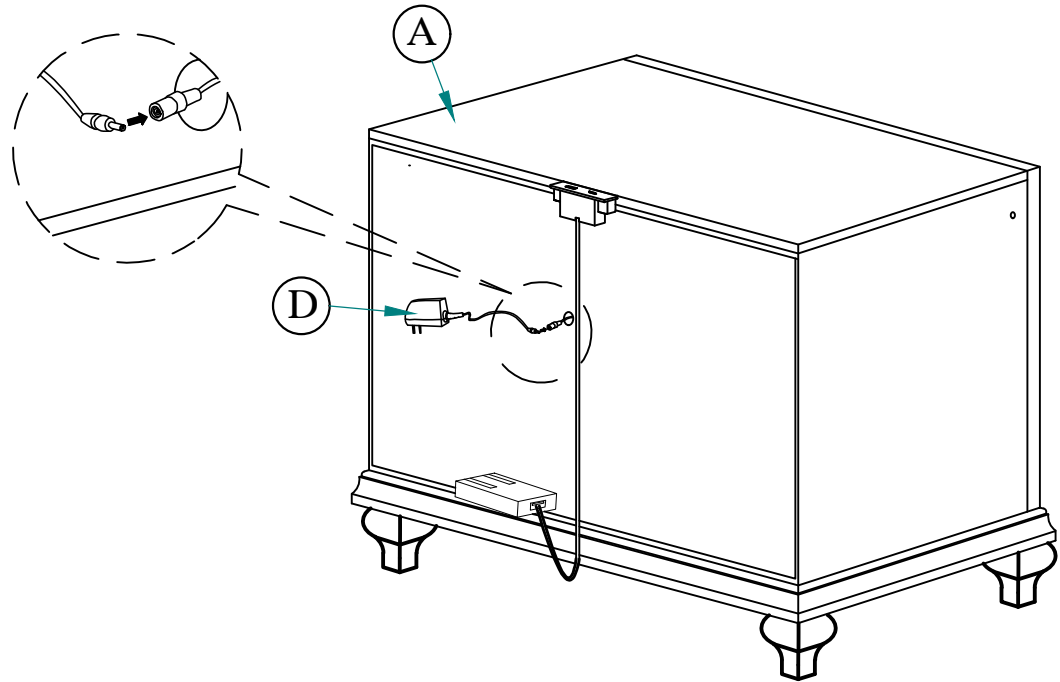
PLACE WOOD PARTS ON A
CLEAN NON-ABRASIVE SURFACE



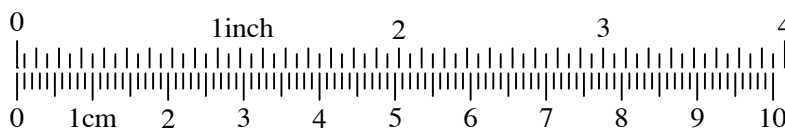


PLACE WOOD PARTS ON A
CLEAN NON-ABRASIVE SURFACE

Step 4: Connect the AC/DC Adapter (D) to the wire on the back of NightStand (A).



Assembly completed





PLACE WOOD PARTS ON A
CLEAN NON-ABRASIVE SURFACE

Step 5: Install the Anti-Tipping Kit. Anti-Tipping Kit must always be used to prevent the furniture from tipping.

