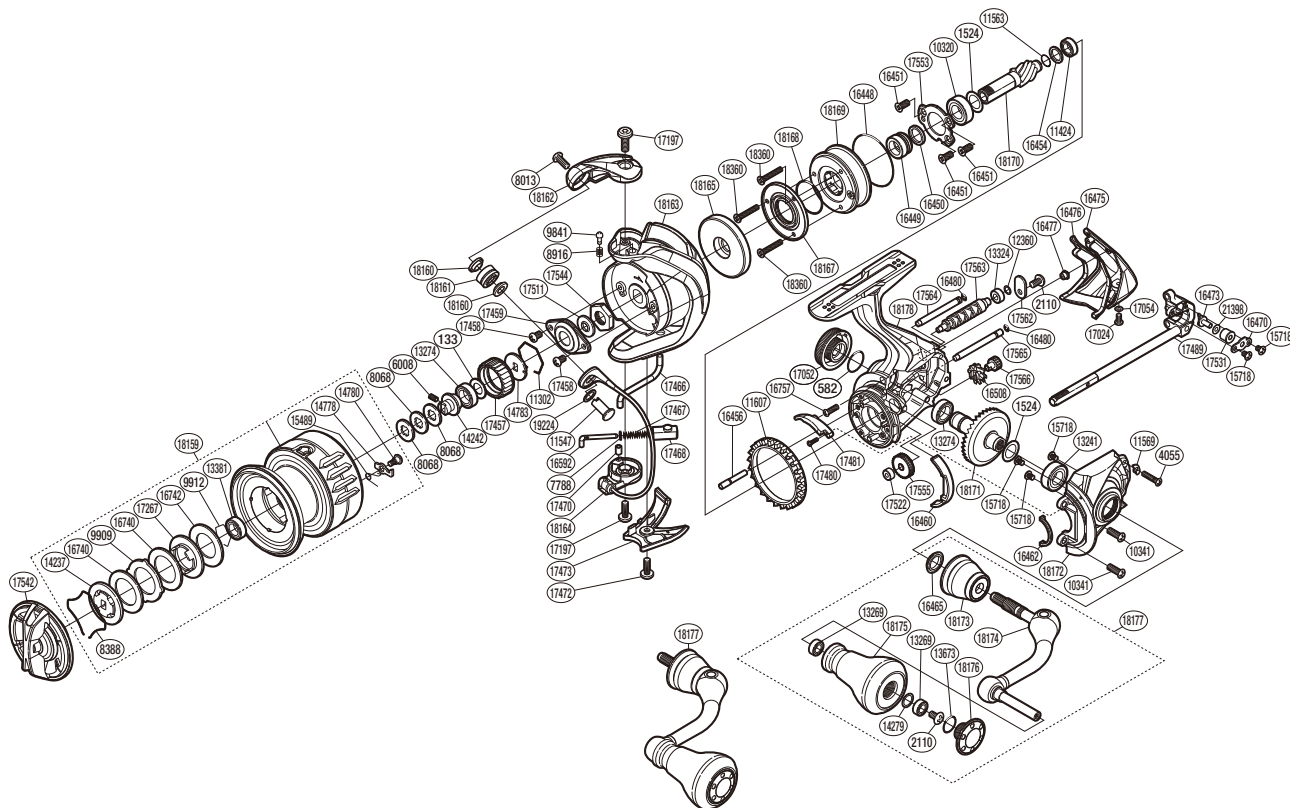


SHIMANO

TWIN POWER

TPXD-C3000XG



(51SF10E033X)

#	Part No.	Description	#	Part No.	Description	#	Part No.	Description
133	102VD	Anti-Reverse Pawl Spacer	15718	1055G	Screw	17481	10R31	Bail Trip Strike
582	108WH	O Ring	16448	10MLT	O Ring	17489	102J5	Main Shaft Assembly
1524	10JDC	Washer	16449	107S5	Roller Clutch Inner	17511	107L3	Bearing Water Proof
2110	103E9	Screw	16450	10H4G	Roller Clutch Inner Spacer	17522	106M8	Worm Bushing (Front)
4055	10LUZ	Screw	16451	10ML6	Screw	17531	10JXU	Oscillating Slider Bushing
6008	10PN2	Set Screw	16454	10J6F	Pinion Gear Spacer	17542	10GZZ	Drag Knob
7788	1064R	Spring Guide A Support	16456	10CLA	Idle Gear B Shaft	17544	1067X	Rotor Nut
8013	10K40	Screw	16460	10J3N	Friction Ring Spacer	17553	10594	Bearing Retainer
8068	10BU7	Spool Washer	16462	10CBC	Flange Water Proof	17555	10HEU	Idle Gear
8388	10B8J	Drag Washers Retainer	16465	10PXU	Handle Shaft Seal	17562	10ATC	Worm Shaft Retainer
8916	10CH0	Click Spring	16470	10HAG	Oscillating Pawl Cover	17563	1068E	Worm Shaft
9841	10CHA	Click Pin	16473	106VL	Oscillating Pawl	17564	1035S	Oscillating Guide A
9909	10BCP	Eared Washer	16475	10NL4	Rear Protector	17565	104MF	Oscillating Guide B
9912	10GEW	Bearing Retainer	16476	107HJ	Rear Shield	17566	106VT	Idle Gear B S
10320	104JC	Ball Bearing	16477	10AYN	Rear Protector Collar	18159	10SY8	Spool Assembly
10341	10M2B	Screw	16480	10JAB	O Ring	18160	1020L	Bearing Spacer
11302	107V3	Ratchet Spring	16508	10CQH	Idle Gear B L	18161	101KE	Line Roller(With Bearing)
11424	104JY	Ball Bearing	16592	105Y2	Bail Spring Guide A	18162	10SYG	Bail Arm
11547	10L01	Line Roller Support	16740	10345	Drag Washer	18163	1026L	Rotor
11563	10CJV	Worm Shaft Ring	16742	10C1A	Drag Washer	18164	1026M	Bail Assembly
11569	10C2G	Screw Washer	16757	103NP	Screw	18165	10SYA	Rotor Ring
11607	104FU	Friction Ring	17024	10PPY	Screw	18167	10SYJ	Roller Clutch Reinforce
12360	10J7K	Washer	17052	10N4J	Handle Screw Cap	18168	10SYC	O Ring
13241	104JD	Ball Bearing	17054	10HVD	Washer	18169	10SYM	Roller Clutch Assembly
13269	104VX	Ball Bearing	17197	10PS5	Screw	18170	10C4U	Pinion Gear
13274	104PP	Ball Bearing	17267	10BCG	Key Washer	18171	10EKR	Drive Gear
13324	106CM	Worm Bushing	17457	10V70	Drag Click Ratchet	18172	101KG	Side Cover
13381	104JT	Ball Bearing	17458	10PMD	Screw	18173	1026N	Handle Shaft Cover
13673	10LAA	O Ring	17459	10R2K	Rotor Nut Lock Plate	18174	1026P	Handle Shank Assembly
14237	10JJV	Key Washer	17466	10R2G	Bail Trip Lever	18175	101AR	Handle Knob
14242	10LTR	Bearing Bushing	17467	10R2P	Bail Spring	18176	10BDU	Handle Knob Seal
14279	10G8G	Washer	17468	10R2E	Bail Spring Seat	18177	10SY9	Handle Assembly
14778	10388	Drag Click	17470	10R2F	Bail Spring Guide A Bush	18178	101V1	Body
14780	10A6F	Screw	17472	10PS6	Screw	18360	10S0C	Screw
14783	103PC	Spool Support	17473	10R2C	Bail Hold Support Guard	19224	1002S	Washer
15489	10BQE	Drag Click Spring	17480	10R1M	Screw	21398	10RKQ	Washer

Please note that the number of adjusting washers may not be the same as shown in the exploded views.
(Adjustment will vary with each individual product.)

(240627)_008