

AXOR Citterio
Bar Faucet, 1.5 GPM
Finishes : **steel optic** Part no. : **39851801**



Description

Features

- Swivel range 150°
- Aerated spray
- Single-hole installation
- Flow: 1.5 GPM (5.7 L/Min)
- Ceramic cartridge
- 3/8" connections

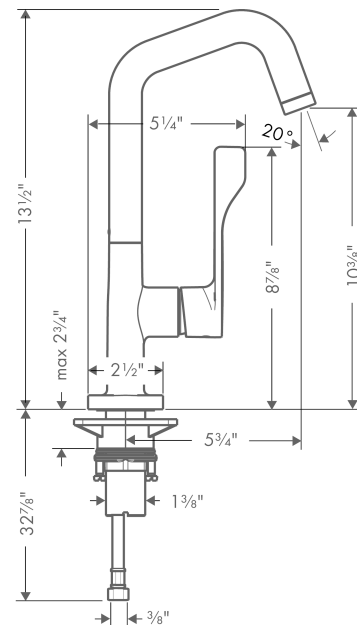
Technology



Product image



Scale drawing



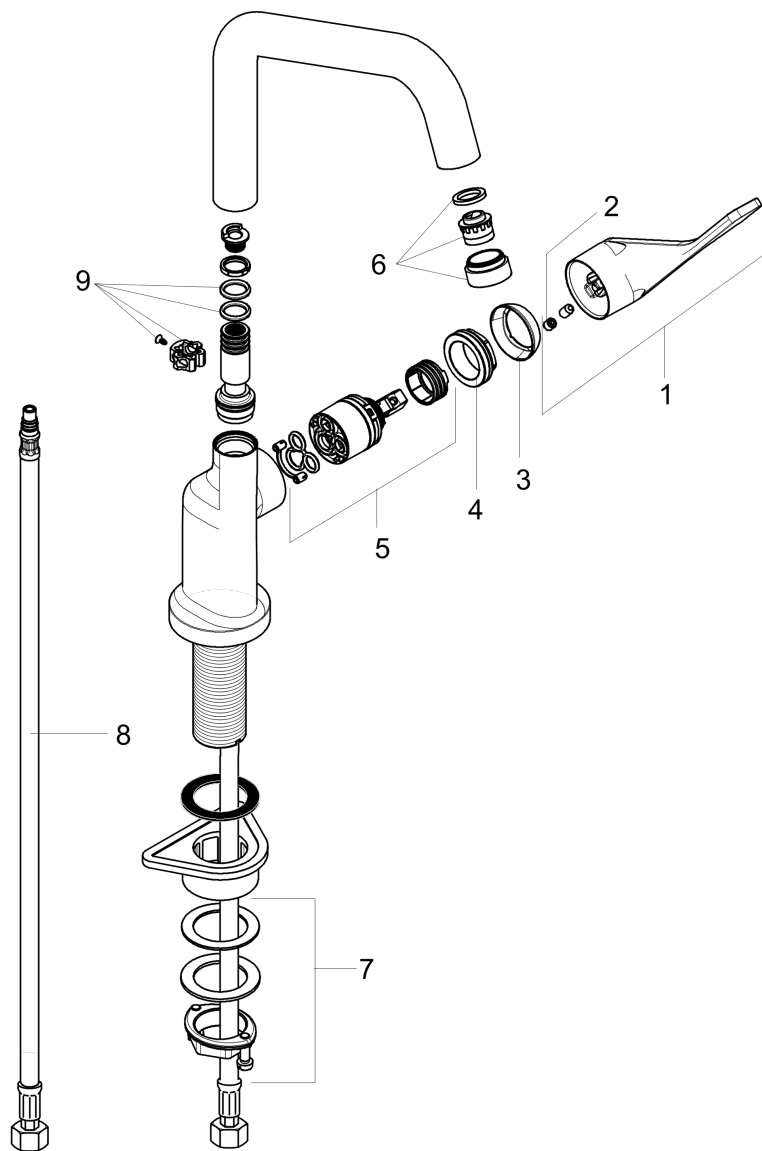
AXOR Citterio
Bar Faucet, 1.5 GPM
Finishes : **steel optic**

Part no. : **39851801**



Exploded drawing

Year of production: >04/10



AXOR Citterio
Bar Faucet, 1.5 GPM
 Finishes : **steel optic** Part no. : **39851801**



Spare parts list

Year of production: >04/10

Pos.	Description	Part no.	PC	PU
1	handle	39891800	0	1
2	screw cover	96338000	0	1
3	flange	98603800	0	1
4	nut	96461000	0	1
5	cartridge, assy	92730000	0	1
6	aerator M24x1 (5 l/min)	95379000	0	1
7	fixing set (Ø 34)	95049000	0	1
8	connection hose 35½" M8x0,75 3/8"	96316001	0	1
9	sealing set	92646000	0	1