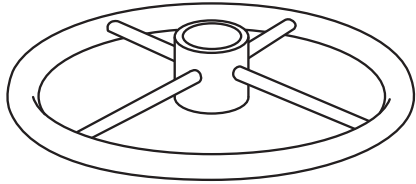


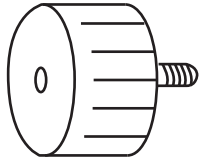
Model DK-2 Drafting Kit Assembly

Parts Listing

A
Circular Foot Rest
1 Unit



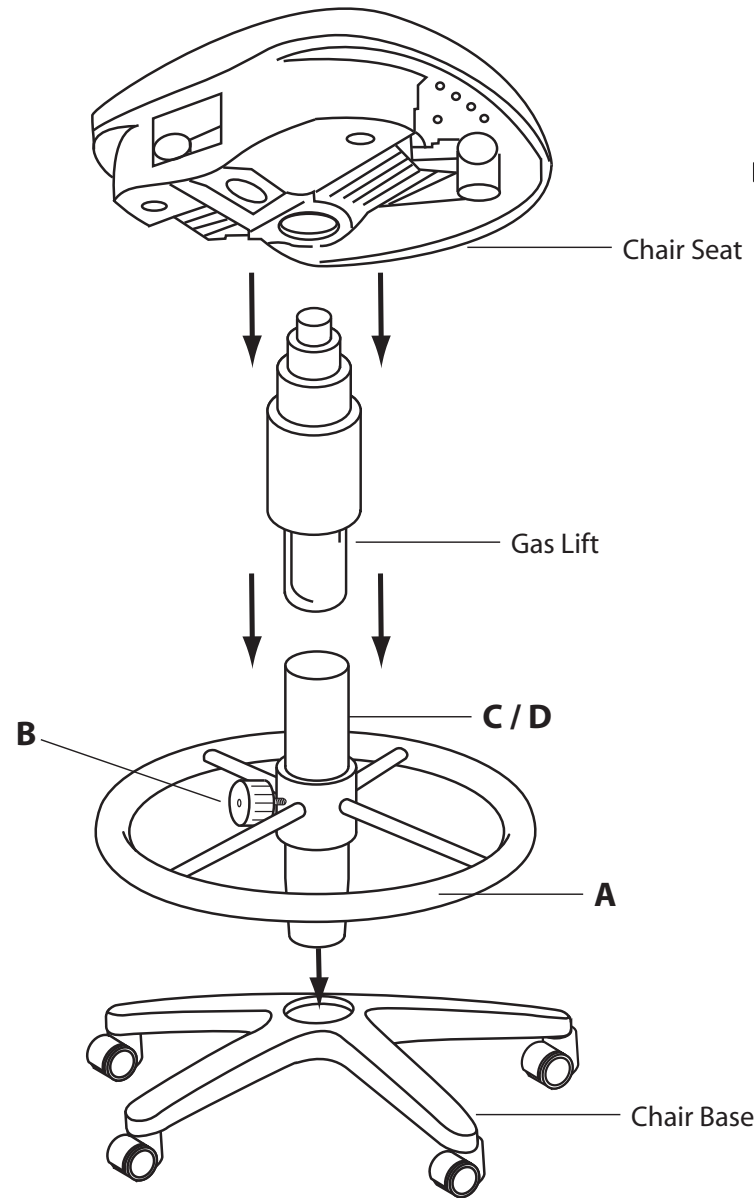
B
Tension Knob
1 Unit



C
9" Extension Tube
1 Unit



D
12" Extension Tube
1 Unit



Assembly Instructions



Please read all instructions before assembly.
Prior to assembly, select only one Extension Tube for desired Height □

9" Extension Tube will make the seat height 27.25" - 31.50"
12" Extension Tube will make the seat height 30.25" - 34.50"

- Step 1:** Slide the Circular Foot Rest (A) over the smaller tapered end of your chosen Extension Tube (C / D).
 - Step 2:** Screw in Tension Knob (B) and tighten to lock Foot Rest (A).
 - Step 3:** Place the tapered end of Extension Tube (C / D) into your Chair Base.
 - Step 4:** Insert bottom of Gas Lift Cylinder into the top end of the Extension Tube (C / D).
 - Step 5:** Place the Chair Seat onto the Gas Lift by inserting top of Gas Lift into the hole in the Seat Mechanism.
 - Step 6:** Press down firmly to secure the chair.
- Note:** Save the left over extension tube for future use.