



Faucet Specifications

Color	SKU
Chrome	401992

Product Features

- Pull-down, magnetized handspray with dual selectable spray patterns
- 360° swivel provides extended range
- Flexible spring allows easy range of motion
- Electronic sensor technology with start-stop interface
- Ceramic disc cartridge
- 1.5 GPM (Gallons Per Minute) flow rate

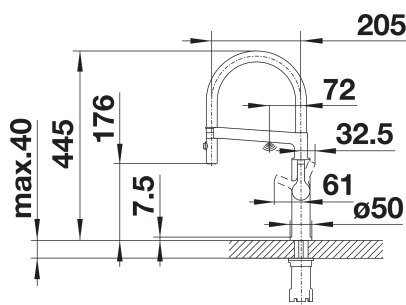
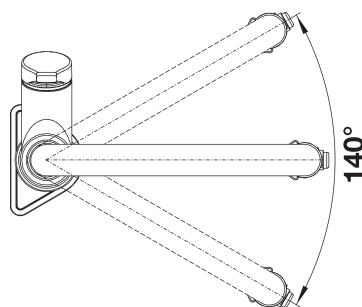
Codes & Standards

ASME A112.18.1/CSA B125.1, NSF/ANSI/CAN 61, NSF/ANSI 372 listed, AB 1953, AB 100, CalGreen, George SB 370

Optional Accessories

SOLENTA AC Adapter	406595
--------------------	--------

SOLENTA SENSO Metal Finish



Warranty

BLANCO offers a limited lifetime warranty on all sinks and faucets, as well as a one-year warranty on all custom accessories.

Code/Standards Compliance

BLANCO sinks and faucets are third-party tested and certified to standards and listed by applicable certification bodies. For more information on individual product listings, contact our office or listing organization.



View our how-to videos to learn more about installing and caring for BLANCO products:
<https://www.blanco.com/us-en/service/how-to-videos/how-to-videos-for-sinks/>

Questions? Contact us today



BLANCO America, Inc.
110 Mount Holly By-Pass
Lumberton, NJ 08048

Phone & Fax
Phone: 888-668-6201
Fax: 609-668-6211

While BLANCO endeavors to provide accurate information, all dimensions are nominal, cannot be guaranteed, and are subject to change or cancellation. BLANCO assumes no responsibility for use of superseded or voided specifications.

SOLENTA SENSO

Metal Finish

