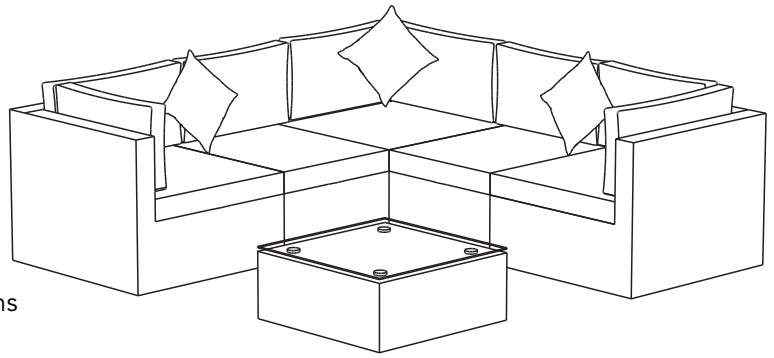
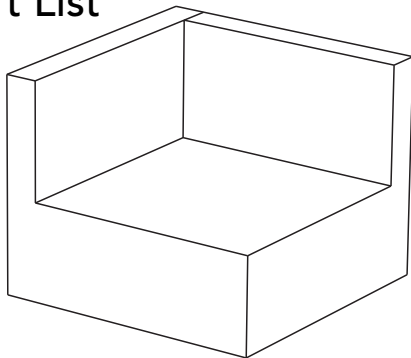


**Sectional****IMPORTANT**

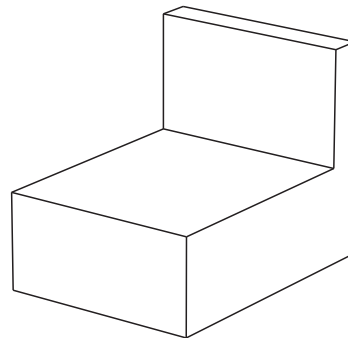
Carefully remove all the parts from the carton and place them individually on a soft cloth to prevent scratches or other damage.

Carefully and strictly follow these assembly instructions to ensure a completed product as designed.

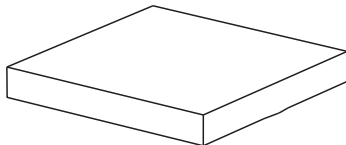
Do not use power tools above 8 volts to assemble.

**Part List**

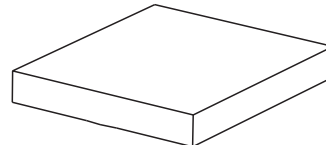
A.  
Corner  
1 pc.



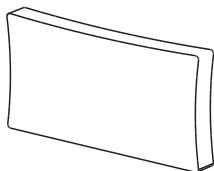
B.  
Middle  
1 pc.



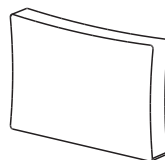
C.  
Seat Cushion  
1 pc.



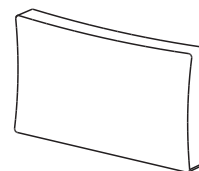
D.  
Seat Cushion  
1 pc.



E.  
Back Cushion  
1 pc.



F.  
Back Cushion  
1 pc.



G.  
Back Cushion  
1 pc.

**Cushion Care Instructions**

- Keep cushions free of natural debris.
- Tip and angle cushions after use.
- Store cushions inside when not in use.
- Allow a minimum of 24 hours for wet cushions to air dry.
- Never use a hairdryer on cushions.
- Never put cushions in a clothes dryer.

For assembly see instructions in carton 6802-402.