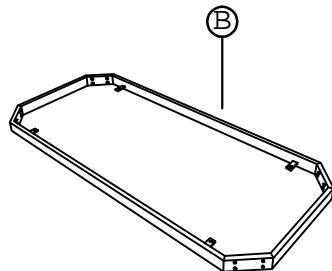
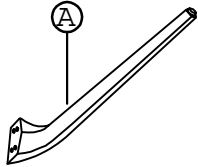


NICOYA DINING TABLE ASSEMBLY INSTRUCTIONS

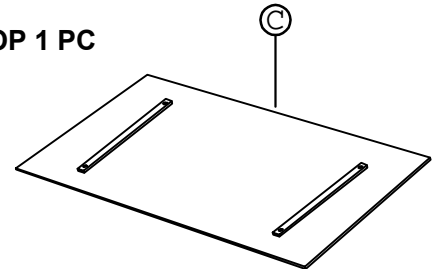


PARTS PACKING CONFIGURATION

BOX #1
A. LEG 4 PCS
B. TABLE BASE 1 PC



BOX #2
C. TABLE TOP 1 PC

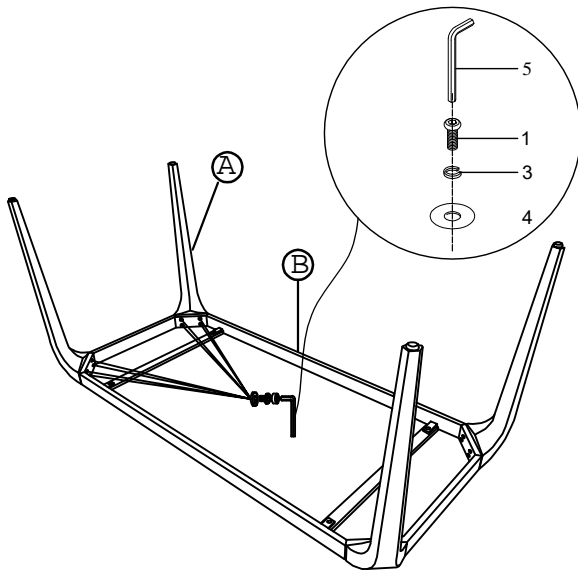


HARDWARE ENCLOSED IN BOX #2

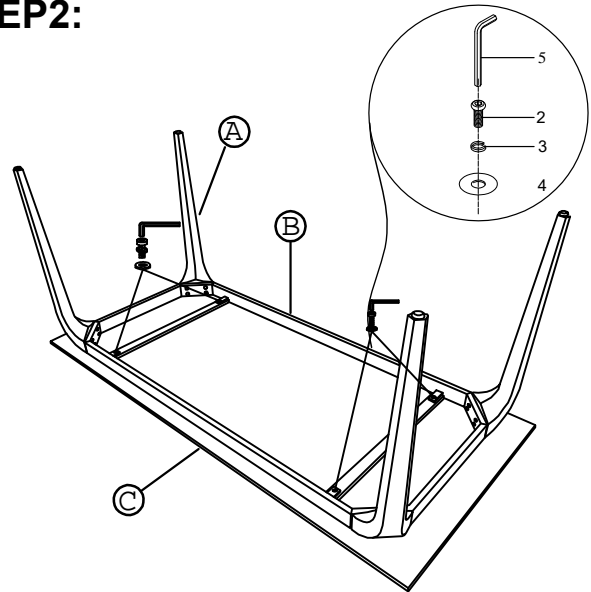
No	Description	Photo	Quantity
1	ALLEN BOLT (8×40mm)		16 PCS
2	ALLEN BOLT (8×20mm)		4 PCS
3	SPRING WASHER (M4)		20 PCS
4	FLAT WASHER (M8)		20 PCS
5	ALLEN KEY		1 PC



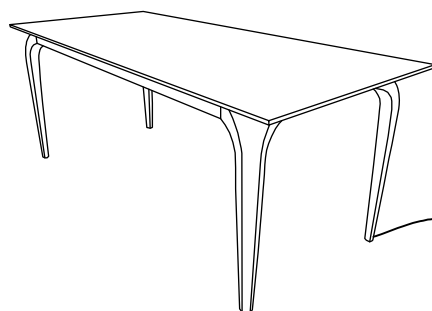
STEP1:



STEP2:



FULLY ASSEMBLED



IF THE TABLE IS NOT LEVEL ON YOUR FLOOR, PLEASE ADJUST LEVELERS ON UNDERSIDE OF THE LEGS(A)