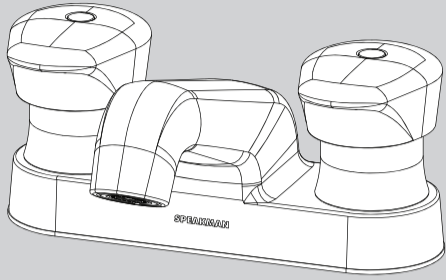


INSTRUCTIONS FOR MODELS

S-5141-LD



NEED HELP?

For additional assistance or service please contact:

SPEAKMAN®

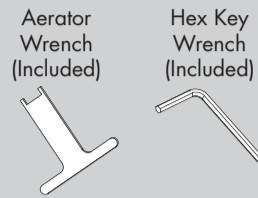
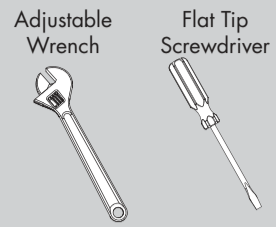
800-537-2107

customerservice@speakman.com

www.speakman.com

92-S-5141-LD-03

TOOLS AND SUPPLIES



HELPFUL TOOLS & SUPPLIES:



IMPORTANT

Metering Faucets are very sensitive to impurities within a water supply that may lead to poor performance or malfunction.

If you are in an area with poor water quality, it is recommended to install a secondary in-line filtration system. This in-line filtration system should be installed upstream (before) the inlets of the Metering Faucet.

- Do not over-tighten any connections or damage may occur.
- Be sure to read instructions thoroughly before beginning installation.
- This faucet has an operating range of 20-80 psi.

MAINTENANCE

Your new Speakman Product is designed for years of trouble-free performance. Keep it looking new by cleaning it periodically with a soft cloth. The use of harsh chemicals and abrasives on any of the Speakman custom finish products may damage the finish and void the product warranty. Please be sure to only use approved cleaners. Please contact Speakman for any clarification of acceptable cleaners.

IMPORTANT

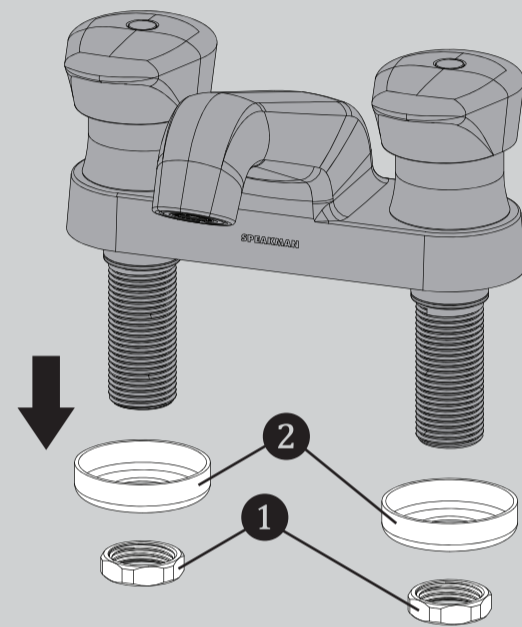
SAFETY TIPS

Cover your drain to prevent loss of parts.

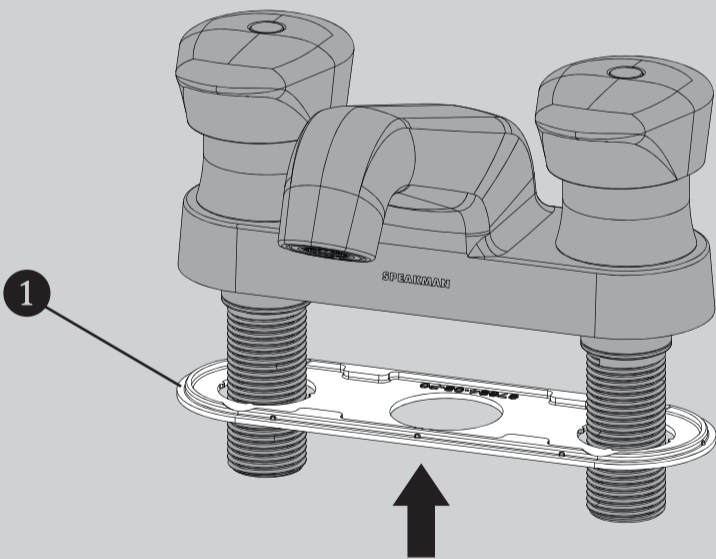
WARRANTY

Warranty information can be found at: www.speakman.com

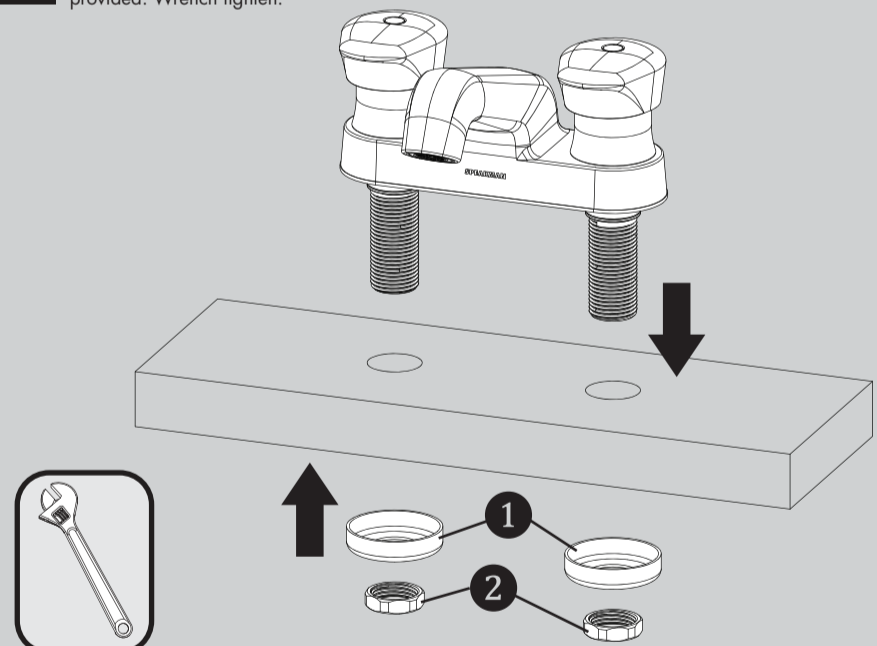
- 1 Shut off water supplies. Remove old faucet. Clean mounting surface in preparation of new faucet. Remove Mounting Nuts (1) and Washers (2).



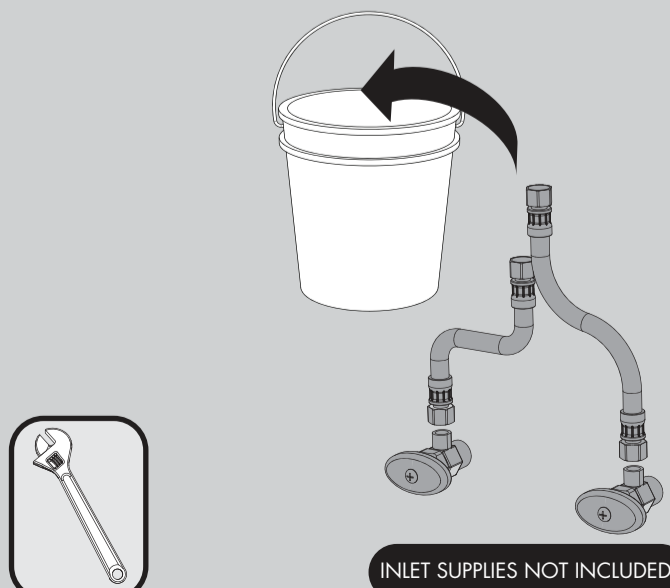
- 2 Place Gasket (1) on bottom of new faucet.



- 3 Place faucet through mounting holes in sink. Secure faucet to sink using Mounting Washers (1) and Nuts (2) provided. Wrench tighten.



- 4 Make connections to water supply. Use 1/2"-14 NPSM faucet connections. Use wrenches to tighten connections. Do not over-tighten. Inlet supply flexible hoses and valve stops are not included. Place free ends of hoses into a bucket. Turn on water supplies for one (1) minute to flush debris from the system. Connect water supply to inlet of Metering Faucet.



- 5 **IMPORTANT:** After installation is completed, use supplied Aerator Wrench to remove Aerator (1). Turn on water supplies and activate metering handles to allow water to run. While water is running, check for leaks. Wait for the water to stop and replace Aerator.

