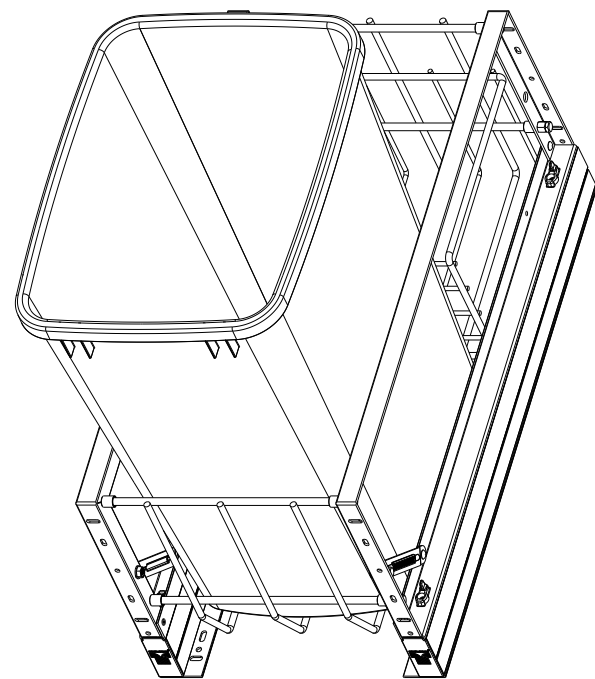
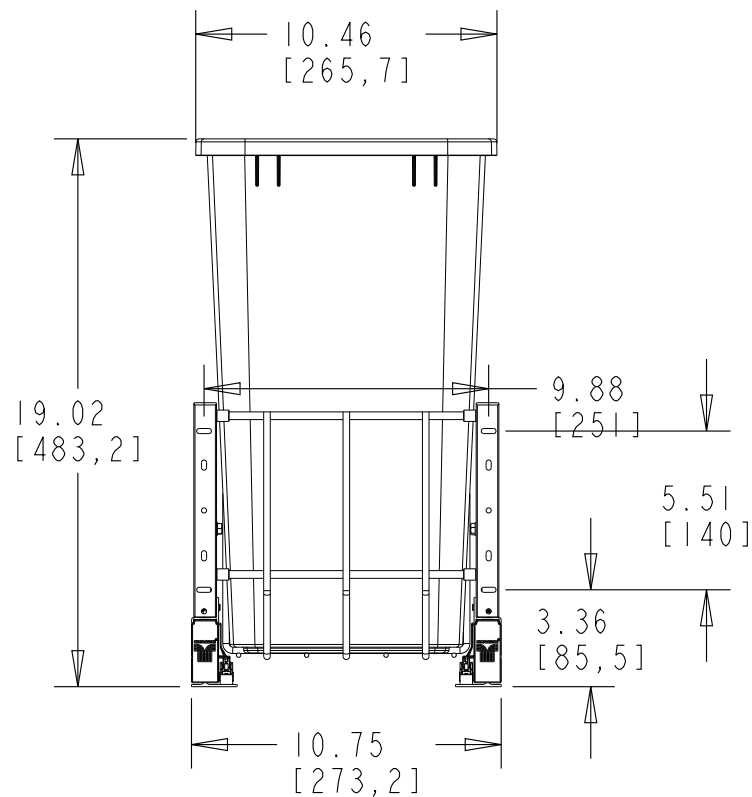


PART DIMENSIONS		
	MIN	MAX
WIDTH	10.75	
DEPTH	21.89	
HEIGHT	19.02	
CONTAINER CAPACITY	35	
CONTAINER UOM	QUART	



MIN CABINET OPENING				
	FACE FRAME	FRAMELESS	INSET FACE FRAME	INSET FRAMELESS
WIDTH	11.00	11.00	11.00	11.00
DEPTH	22.00	22.00	22.75	22.75
HEIGHT - *	20.50	20.50	20.50	20.50

* - MIN. CABINET HEIGHT INCLUDES LID (SOLD SEPERATELY)

SLIDE SPECIFICATIONS				
SLIDE MANUFACTURER		RELEASE PART NUMBER		
SLIDE PART NUMBER		SLIDE EXTENSION	1.50 OT	MAX WEIGHT RATING
SLIDE TYPE	ALUMINUM	SLIDE LENGTH	22.00"	
SLIDE CLOSING	SOFT	SLIDE FINISH	ALUMINUM	85 LB
SLIDE MOUNTING	BOTTOM			

CUSTOMER DRAWING

This drawing is the property of Rev-A-Shelf (RAS) and is disclosed in confidence to the extent its subject matter is original to RAS. Any vendor receiving this drawing from RAS shall hold and use this drawing for the sole benefit of RAS and shall not disclose it to, or use or reproduce it for any third party, or perform any act adverse to the interest of RAS with respect to this drawing without the express written permission of RAS. Vendors shall not revise any physical, dimensional or performance characteristic unless authorized by Rev-A-Shelf Engineering.

REV.	DATE	BY	DESCRIPTION OF CHANGE

INCH [MM]	AMERICAN PROJECTION	DRAWN	BY	DATE	REV-A-SHELF, INC.
			KRR	8-9-21	
					SIZE
					B
					DRAWING NO.
					5349-15DM-1
					SCALE
					0.150
					PART NO.
					5349-15DM-1
					SHEET OF
					1 OF 1

TOLERANCES
 MAT. DEC.
 (WOOD) .XX ±.03 [.8mm]
 (OTHER) .XX ±.02 [.5mm]
 (ALL) .XXX ±.005 [.13 mm]
 FRACTIONS ±1/32 [.8 mm]

ANGLES ±1/2°