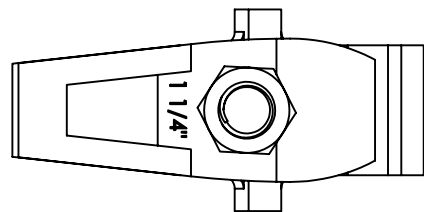
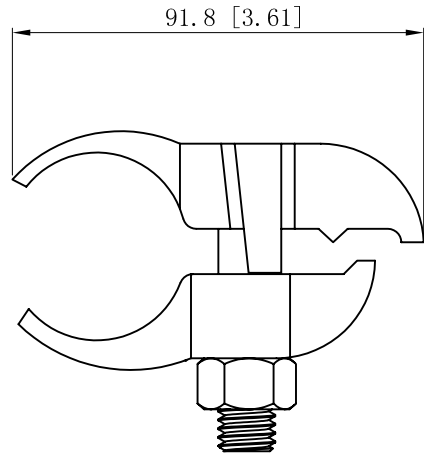
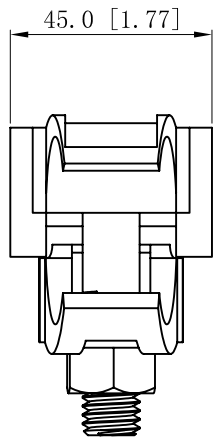
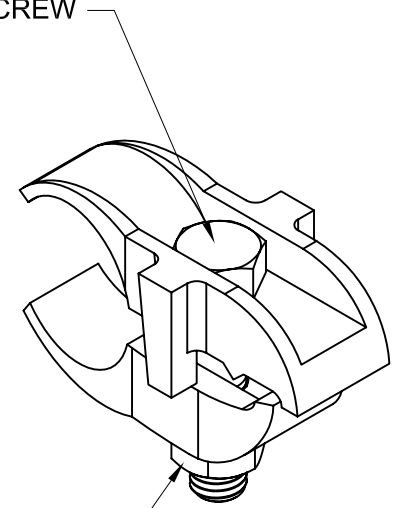


SIDES	BOTTOM
1 pcs #1/2-13×2-1/4 screw install	
1 pcs #1/2-13 hex nut install	
Material: malleable casting, Zinc plated	



#1/2-13 SCREW



#1/2-13 HEX NUT

DESCRIPTION
TRADE REFERENCE TERMS

STANDARD PACKING
25 PCS

This data sheet is for reference only .GARVIN INDUSTRIES reserves the right to make changes to the design without prior notice.

GARVIN INDUSTRIES		
CONDUT CLAMPS		
SIZE	DWG NO.	REV
A4	PAR125	
DATA SHEET		