

LIMITED WARRANTY

To the consumer, Guardian Technologies LLC warrants this product to be free of defects in materials or workmanship commencing upon the date of the original purchase. In order to be eligible for this Limited Warranty, an original sales receipt or comparable substitute proof of purchase bearing the date of original purchase is required. Refer to the original product carton or specific product/model page on the Guardian Technologies website for warranty length for your particular model. This warranty applies only to the original purchaser of this product from the original date of purchase. This warranty covers product purchased from authorized distributors only.

This warranty applies to repair or replacement of product found to be defective in materials or workmanship. This warranty does not apply to damage resulting from unusual wear, commercial, abusive, unreasonable use or supplemental damage. This warranty does not cover damage from unauthorized repairs or from any use not in accordance with the instruction manual. Defects that are the result of normal wear and tear will not be considered manufacturing defects under this warranty.

If this product should become defective within the warranty period, we will repair or replace any defective parts free of charge. All warranty repairs must be completed by Guardian Technologies LLC. This warranty gives you specific legal rights and you may also have other rights (other rights may vary from state to state in the U.S.A.)

To submit product under warranty the complete machine must be delivered pre-paid to Guardian Technologies LLC. Please include complete information including: the problem, the model number of the product, the day of purchase, and a copy of the original sales receipt along with your name, address, and telephone (email optional). Address returns to the attention of: Customer Service, at the address below. Additional questions or comments can be made toll free to the number listed below.

USA and Canada
Guardian Technologies LLC
26251 Bluestone Blvd.
Euclid, Ohio 44132
1.866.603.5900
www.guardiantechnologies.com

Please go to www.guardiantechnologies.com to register your product. We consider the registration process important to ensuring superior service to our customers, however submitting the warranty registration is optional and does not affect your rights to utilize this warranty according to the conditions stated above.

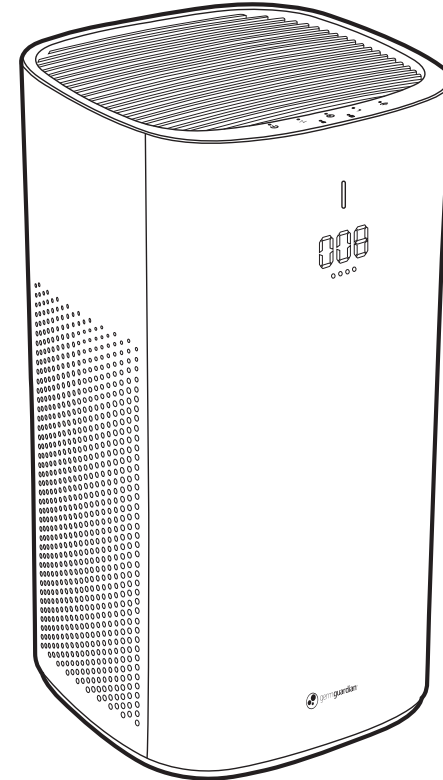
Additional copies of the instruction manual can be obtained by accessing and printing directly from our website or calling customer service.



©2016 Guardian Technologies LLC



USE & CARE INSTRUCTIONS



3-in-1 High Performance Air Purifying System

Model No. AP5800

3-Year Limited Warranty

Customer Service 1.866.603.5900
www.guardiantechnologies.com

Date Purchased month _____ year _____

English E - 1 French F - 1 Spanish S - 1

Use GENUINE Guardian Technologies replacement parts only.

REV0620

READ AND SAVE THESE INSTRUCTIONS WARNINGS

Failure to comply with the warnings listed below may result in electric shock or serious injury.



This product should be used only in accordance with the specifications outlined in this manual. Usage other than what has been specified here may result in serious injury.

When using electrical appliances, basic precautions should always be followed to reduce the risk of fire, electric shock and injury to persons, including the following:

- Read all instructions before using appliance.
- WARNING: To reduce the risk of fire or electric shock do not use with an extension cord.
- To avoid fire or shock hazard, plug the appliance directly into a 120V AC electrical outlet.
- Keep the cord out of heavy traffic areas. To avoid fire hazard, NEVER put the cord under rugs, near heat registers, radiator, stoves or heaters.
- To protect against electrical hazards, DO NOT immerse in water or other liquids. Do not use near water.
- Children cannot recognize the hazards associated with the usage of electrical appliances. For this reason, always supervise children when they are near the unit.
- Always unplug the air purifier before moving it, opening the grill, changing filters, cleaning or whenever the air purifier is not in use. Be sure to pull by the plug and not the cord.
- NEVER drop or insert any object into any openings.
- DO NOT run cord under carpeting.
- DO NOT cover cord with throw rugs, runners, or similar coverings.
- DO NOT route cord under furniture or appliances. Arrange cord away from traffic area and where it will not be tripped over.
- DO NOT operate any appliance with a damaged cord or plug, if motor fan fails to rotate, after the appliance malfunctions, or if it has been dropped or damaged in any manner. Call Customer Service for assistance.
- Use appliance only for intended household use as described in this manual. Any other use not recommended by the manufacturer may cause fire, electric shock or injury to persons.
- DO NOT use outdoors.
- DO NOT place anything on top of unit.
- NEVER block the air openings, grills/outlets or place on a soft surface such as a bed or sofa, as this could cause the unit to tip over, blocking the air intake or outtake opening.
- DO NOT attempt to repair or adjust any electrical or mechanical functions on this unit. Doing so will void your warranty. The inside of the unit contains no user serviceable parts. All servicing should be performed by qualified personnel only.
- WARNING: To reduce the risk of fire or electric shock, do not use this purifier with any solid-state speed control device.

- Always unplug the unit before before cleaning or servicing in any way.
- CAUTION: Do NOT use gasoline, benzene, thinner, harsh cleaners, etc. on and/or in the unit while cleaning as they will damage the product. NEVER use alcohol or other solvents.

CAUTION: THIS EQUIPMENT SHOULD BE INSPECTED AND CLEANED IN ACCORDANCE WITH THE MANUFACTURER'S INSTRUCTIONS ON A REGULAR BASIS TO PREVENT EXCESSIVE ACCUMULATION OF DUST PARTICLES THAT CAN RESULT IN FLASHOVER OR A RISK OF FIRE.



WARNING: Cancer and Reproductive Harm.

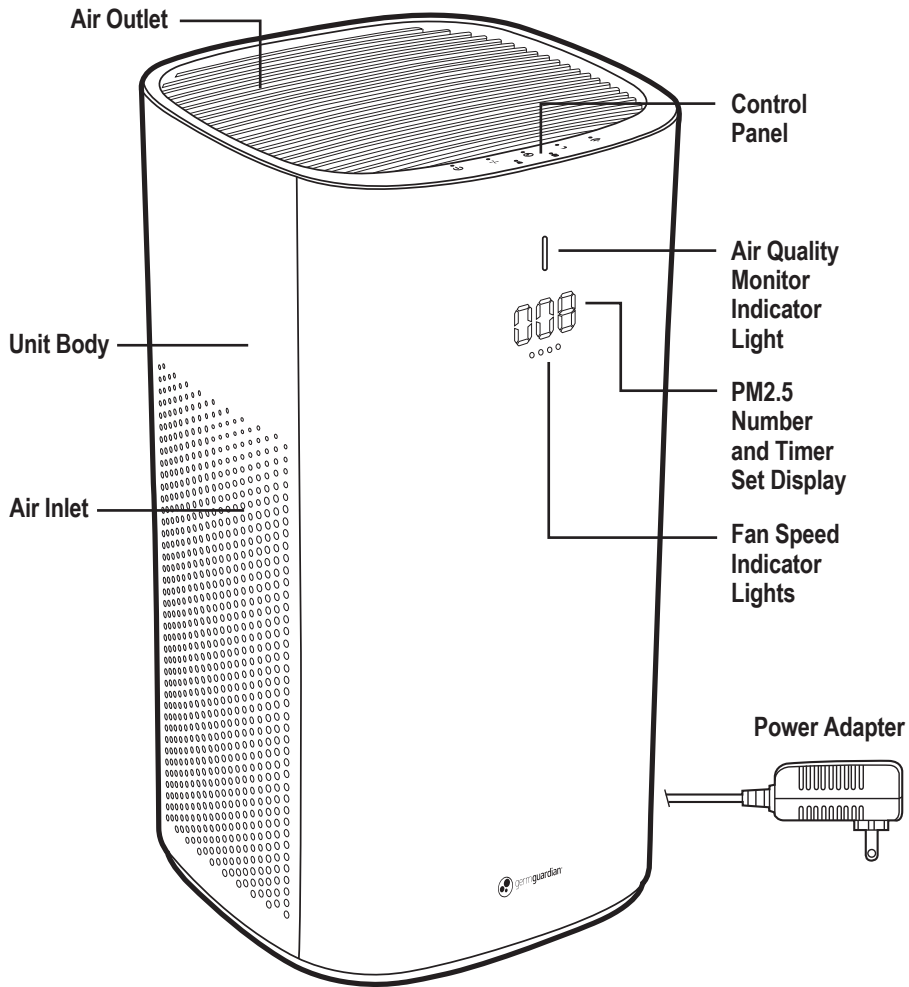
For more information go to www.P65Warnings.ca.gov.



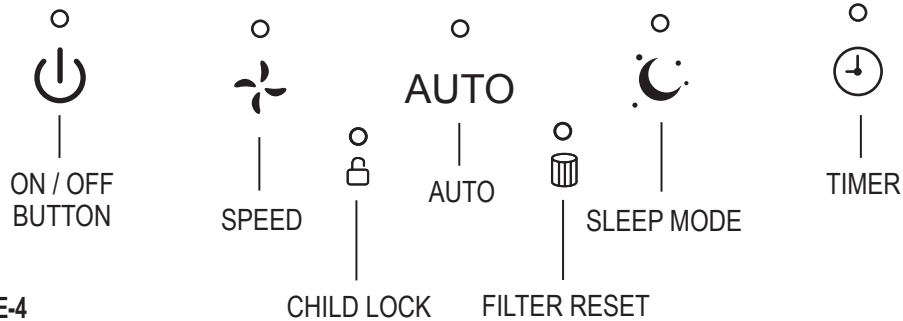
This product earned the ENERGY STAR label by meeting strict energy efficiency guidelines set by the U.S. EPA. Room air cleaners have demonstrated the potential for improving air quality and providing health benefits. EPA does not endorse manufacturer claims regarding the degree to which a specific product will produce healthier indoor air. The energy efficiency of this ENERGY STAR certified model is measured based on a ratio between the model's CADR for Smoke and the electrical energy it consumes, or CADR/Watt.

SPECIFICATIONS

Air Purifying System with HEPA Filter

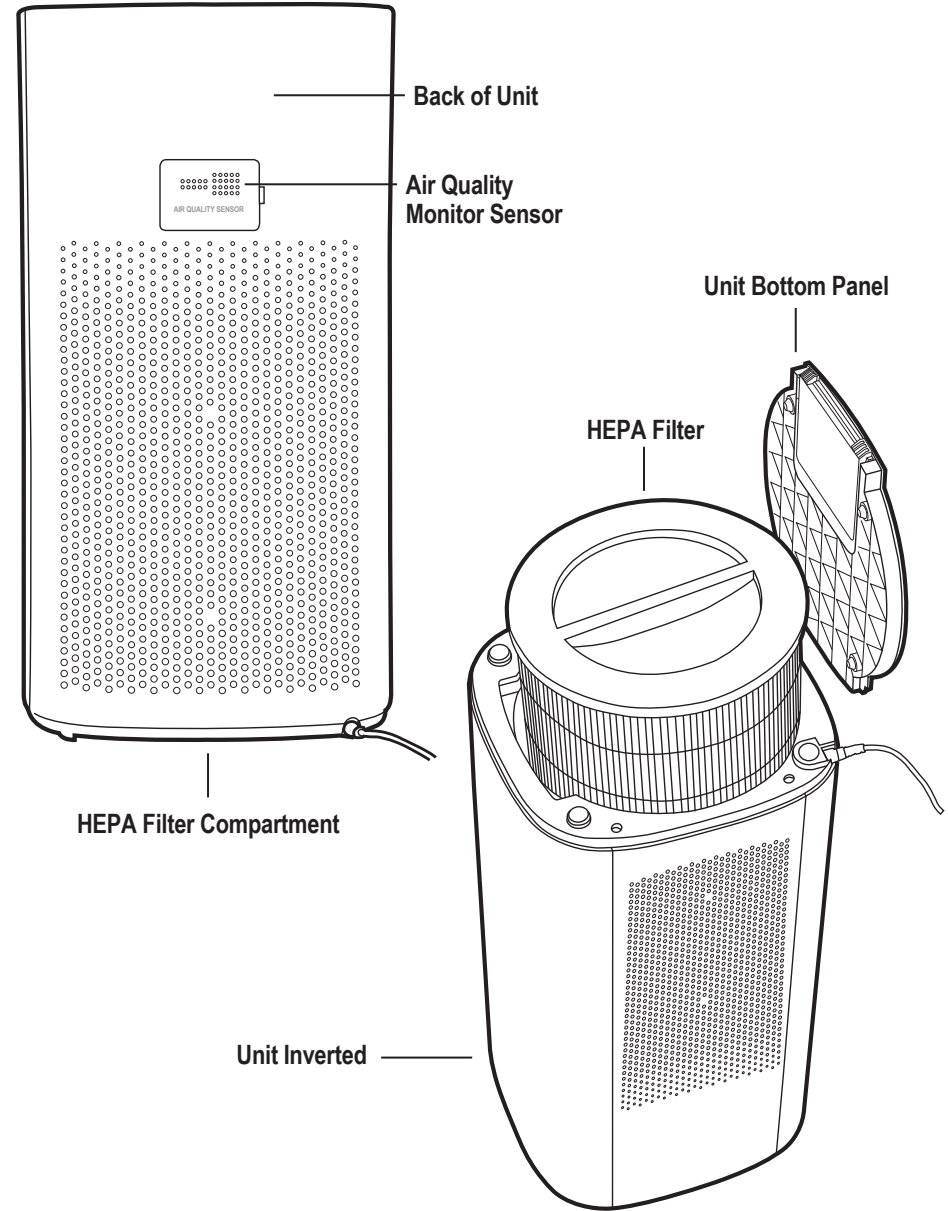


CONTROL PANEL



AIR CLEANING SYSTEM

Improve your indoor air quality with your new Germguardian Air Purifier. The HEPA filter captures allergens and includes a charcoal filter layer to help reduce household odors.



IMPORTANT: The air purifier is shipped with the filter stored in the filter compartment. The filter is shipped in a bag to prevent degradation. Before using, remove and discard bag.

OPERATING INSTRUCTIONS

IMPORTANT: The air purifier is shipped with the filter stored in the filter compartment. The filter is shipped in a bag to prevent degradation. Before using, remove and discard bag.

BEFORE OPERATING THE AIR PURIFIER

1. Select a firm, level and flat location for the air purifier.
 - For proper air flow, locate the unit at least 1 foot from any wall or furniture.
 - Make sure none of the grills are blocked.
2. Plug the power cord into a 120V AC outlet. An audible chime will sound when plugged in.

OPERATING THE AIR PURIFIER



ON / OFF
BUTTON

1. Turn unit power ON by pressing the ON/OFF control.

Note: The first time the unit is plugged in and powered on, the air quality sensor will take a few minutes to calibrate.



SPEED

2. **Fan Speed** – press SPEED and select speed level 1-4. The fan speed will light on the display.

AUTO

3. **Auto Mode** – press AUTO and an “A” will light on the display. When in AUTO the fan speed will change depending on the air quality level in the room. See AQM chart. To exit AUTO mode, press AUTO control. Pressing on/off, speed or sleep controls will also exit AUTO mode.



TIMER

4. **Timer** – The hours will light on the front display for 10 seconds then return to the PM2.5 numbers. The product will turn off and enter stand by-mode once the timer expires. Select if you prefer to run the purifier for a specific number of hours. Press timer control and continue to press to select between 1 and 10 hours. The hours will light on the display. To cancel timer, toggle through the hours until the feature is turned off or hold the timer button for 3 seconds.



SLEEP MODE

5. **Sleep Mode** – Press Sleep control to turn display lights on/off. When selected the sleep light will dim, the other lights on the display will turn off and the purifier will run in low speed. Press any control to wake up the unit and exit Sleep mode.



CHILD LOCK

6. **Child Lock** – Press and hold SPEED & AUTO controls for 3 seconds to lock control panel so controls cannot be adjusted. The lock icon will light on the display. If other controls are pressed while locked, the Child Lock indicator will blink. To unlock, hold the SPEED & AUTO controls again for 3 seconds.



FILTER
RESET

7. Filter Reset Indicator flashes to indicate it is time to change the filter. Replace the filter according to the instructions (pg. 7). Press and hold AUTO & SLEEP controls for approximately 3 seconds, the unit will beep before flashing indicator stops.

AIR QUALITY MONITOR

Air Quality Monitor senses and detects the amount of particulate matter (PM2.5) in the air. The light circle around the display will change colors, indicating the air quality level in the room. The particulate matter numeric value (AQI) will be displayed. See values and status ranges in chart below.

Also listed are the color values displayed in the circle and the fan speed “AUTO” mode will select based on the particulate matter that is detected.

Light Color	Particulate Matter Value (Range)	Air Quality Status	Auto Fan Speed
Green	0-100	Good	1
Yellow	101-200	Average	2
Red	201-300	Poor	3
Red	301-500	Very Poor	4

RESETTING THE AIR PURIFIER

The air purifier is equipped with a motor protection circuit. If activated, the overload warning will initiate and cut off the power. An audible warning "chime" will sound for 60 seconds and the AQM light will flash red. To restart the unit, unplug the unit for 10 minutes, then plug back in and power on.

FILTER REPLACEMENT

The filter reset indicator light will flash when it is time to replace your filter. Depending on usage and environmental conditions the filter will last approximately 6 months. The inside pleats of the filter will turn from white to grey when it is dirty and needs replacing. It is important to maintain and change the filter to continue to optimize the performance of the air purifier.

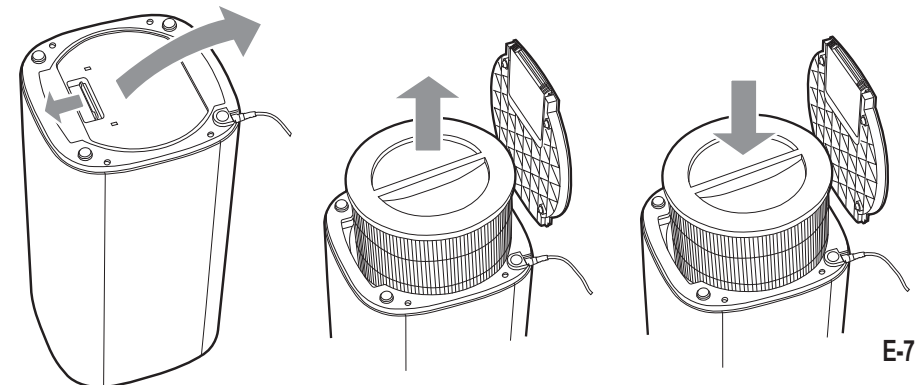
IMPORTANT: Do NOT wash and re-use the filter. Please contact Customer Service or visit our website www.guardiantechnologies.com to purchase a replacement filter. Use only Genuine Guardian Technologies replacement parts to optimize the performance of your air purifier.

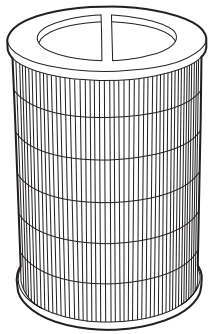
REMOVE AND REPLACE FILTER

1. Turn off and unplug the unit.
2. Turn unit upside down on a flat sturdy surface.
3. Pull handle on bottom panel and remove panel from unit.
4. Remove filter and disregard. Place new filter into air purifying unit.
5. Return bottom panel, first insert the panel hooks then close.

IMPORTANT: Make sure filter is installed and bottom panel is closed properly, otherwise unit will not function.

RESET THE FILTER LIGHT by holding the AUTO and SLEEP controls for 3 seconds.





REPLACEMENT PARTS

FILTER: **P**
 Model No.
 FLT5800



Check out our
AutoShip & Save
 Filter Replacement Program™
www.guardiantechnologies.com

IMPORTANT: To maintain performance of the air cleaner, use Guardian Technologies **GENUINE** Replacement Parts only. To purchase visit our website www.guardiantechnologies.com.

CLEANING & MAINTENANCE

CLEANING

- Always unplug the appliance before you clean it.
- Never immerse the appliance in water or any other liquid.
- Never use aggressive or flammable cleaning agents such as bleach or alcohol to clean any part of the appliance.

BODY OF THE APPLIANCE

Regularly clean the inside and outside of the body to prevent dust from collecting.

1. Wipe away dust with a soft dry cloth from the body of the appliance.
2. Clean the air inlet and the air outlet with a soft dry cloth.

PRE-FILTER SCREEN

The pre-filter/charcoal layer collects larger dust and debris and should be cleaned monthly or more frequently depending on use. Remove and clean regularly with the brush attachment of your vacuum cleaner. This will remove the lint and dirt and help maintain the life of the filter. (See filter replacement to locate and clean or remove the filter).

Replacement pre-filters are available by visiting our website at www.guardiantechnologies.com.

Note: Do NOT stick any foreign objects or your fingers inside the unit.

Caution: Do NOT use gasoline, benzene, thinner, harsh cleaners, etc. on and/or in the unit while cleaning as they will damage the products.

NEVER use alcohol or other solvents.

What is CADR?

CADR stands for “Clean Air Delivery Rate,” which indicates the volume of filtered air delivered by an air purifier. CADR ratings show the effectiveness of how efficient the air purifier is at capturing fine particles from things like tobacco smoke and plant pollens from the room.

Clean Air Delivery Rate

From air cleaner to air cleaner, compare the CADR numbers. First look at suggested room size. Then refer to the Clean Air Delivery Rate (CADR) numbers. The higher the number, the faster the unit filters the air.

Refer to website for individual model CADR numbers.

TROUBLESHOOTING GUIDE

PROBLEM	SOLUTION
Unit shuts off unexpectedly or does not operate.	Check that the unit is plugged into a working electrical outlet. Check to see if the motor protector is triggered. Check that the filter and bottom panel are installed correctly. Unplug/replug into the outlet. Call customer service.
No air circulating from the unit.	Unplug unit. Check filter. Clean or replace filter if necessary.
Odors not removed.	Make sure the filter is clean. Replace if necessary.
Discharged air has an odor.	Check to see if the filter is heavily soiled. Replace if necessary.
Increase in noise level.	Make sure the filter is clean. Replace if necessary.
Filter indicator light on display is flashing.	Replace filter and reset light.
Air quality status remains poor.	Check to see if the filter is heavily soiled. Replace if necessary. Increase the fan speed to circulate air.

GARANTIE LIMITÉE

Guardian Technologies LLC garantit au consommateur que cet appareil est exempt de défauts matériels ou de fabrication, à partir de la date d'achat originale. Afin d'être admissible à cette Garantie limitée, un reçu de vente original ou une autre preuve d'achat substitut comparable portant la date de l'achat original est requis. Consultez la boîte de produit originale ou la page du produit/modèle spécifique sur le site Web de Guardian Technologies pour la période de garantie concernant votre modèle en particulier. Cette garantie s'applique seulement à l'acheteur original de ce produit à partir de la date d'achat originale. Cette garantie couvre un appareil acheté uniquement auprès de distributeurs agréés.

Cette garantie s'applique à la réparation ou au remplacement du produit trouvé défectueux au niveau des matériaux ou de la fabrication. Cette garantie ne s'applique pas aux dommages découlant d'une usure inhabituelle, d'une utilisation commerciale, abusive ou déraisonnable ou de dommages additionnels. Cette garantie ne couvre pas les dommages causés par des réparations non autorisées ou de toute utilisation non conforme avec le manuel des instructions. Les défaillances découlant d'une usure normale ne seront pas considérées des défauts de fabrication selon la présente garantie.

Si cet appareil s'avère défectueux pendant la période de garantie, nous réparerons ou remplacerons gratuitement toutes les pièces défectueuses. Toute réparation couverte par la présente garantie doit être effectuée par Guardian Technologies LLC. La présente garantie vous donne certains droits juridiques. Vous pouvez également bénéficier d'autres droits (les droits peuvent varier d'un État à l'autre aux États-Unis).

Pour faire valoir la présente garantie, l'appareil complet doit être envoyé en port payé à Guardian Technologies LLC. Veuillez inclure les renseignements complets, y compris : la nature du problème, le numéro de modèle, la date d'achat, et incluez vos nom, adresse et numéro de téléphone (courriel facultatif) ainsi qu'une copie du reçu de vente original. Retournez l'appareil à l'attention de : Customer Service, et à l'adresse indiquée ci-après. Adressez vos questions ou vos commentaires au numéro sans frais indiqué ci-après.

États-Unis et Canada
Guardian Technologies LLC
26251 Bluestone Blvd.
Euclid, Ohio 44132
1 866 603-5900
www.guardiantechnologies.com

Veuillez vous rendre à www.guardiantechnologies.com pour enregistrer votre produit. Nous considérons le processus d'enregistrement comme important afin d'assurer un service supérieur à notre clientèle. Cependant, l'envoi de cette carte de garantie est facultatif et n'affectera en rien vos droits de faire valoir cette garantie en accord avec les conditions susmentionnées.

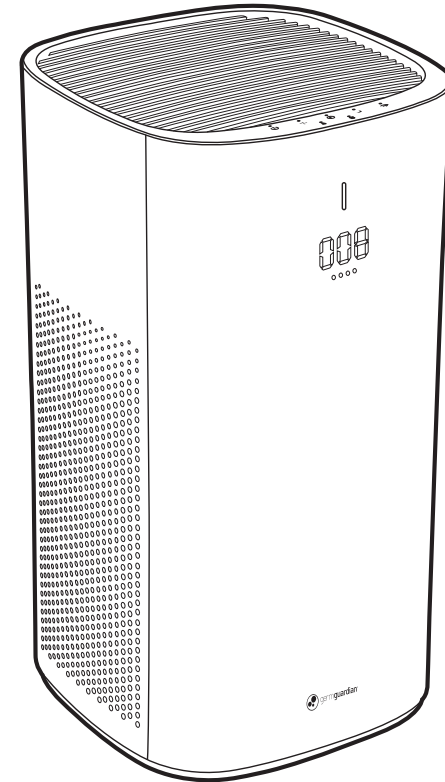
Des copies supplémentaires de ce manuel d'utilisation peuvent être obtenues sur notre site Internet puis imprimées, ou en appelant le service à la clientèle.



©2016 Guardian Technologies LLC



UTILISATION ET INSTRUCTIONS D'ENTRETIEN



Système de purification d'air hautes performances 3 en 1

Modèle n° AP5800

Garantie limitée de un (3) an

Service à la clientèle : 1.866.603.5900
www.guardiantechnologies.com

Date d'achat mois _____ année _____

Anglais E - 1 Français F - 1 Espagnol S - 1

Utilisez uniquement des pièces de rechange ORIGINALES de Guardian Technologies.

REV0620

F-1

LIRE ET CONSERVER CES INSTRUCTIONS AVERTISSEMENTS

Le non-respect des avertissements mentionnés ci-dessous peut provoquer une décharge électrique ou des blessures graves.



Ce produit doit être utilisé en conformité avec les directives indiquées dans le présent manuel. De graves blessures peuvent résulter d'un usage du produit autre que celui indiqué dans le présent manuel.

Lorsque vous utilisez un appareil électrique, vous devez toujours respecter certaines consignes élémentaires de sécurité afin de réduire le risque de feu, de choc électrique et de blessure, dont les suivantes:

- Lisez toutes les instructions avant d'utiliser cet appareil.
- **AVERTISSEMENT:** Pour réduire le risque d'incendie ou de choc électrique n'utilisez pas de rallonge électrique.
- Pour éviter tout risque d'incendie ou de choc électrique, branchez l'appareil directement dans une prise électrique de 120 V c.a.
- Gardez le cordon d'alimentation à l'écart des zones de passage. Pour éviter tout risque d'incendie, ne faites JAMAIS passer le cordon d'alimentation sous un tapis ou à côté de grilles de chauffage, de radiateurs, d'appareils de chauffage ou de cuisinières.
- Pour protéger contre tout risque de choc électrique, NE plongez PAS l'appareil dans l'eau ou dans un liquide quelconque. N'utilisez pas cet appareil à proximité de l'eau.
- Une surveillance étroite est impérative lorsque tout appareil est utilisé à proximité d'enfants ou d'animaux de compagnie.
- Débranchez toujours le purificateur d'air avant de le déplacer, d'ouvrir a grille de protection, de changer les filtres ou lorsqu'il n'est pas utilisé. Assurez-vous de débrancher l'appareil en tirant sur la prise et non sur le cordon.
- Ne laissez JAMAIS tomber et n'insérez JAMAIS d'objets dans tout orifice de l'appareil.
- Ne faites pas passer le cordon électrique sous la moquette.
- Ne recouvrez pas le cordon électrique avec des carpettes, des tapis d'escalier ou tout autre revêtement similaire.
- Ne faites pas passer le cordon électrique sous les meubles ni les appareils électroménagers. Disposez le cordon électrique à l'écart de la zone de passage et où personne ne risque de trébucher dessus.
- N'utilisez JAMAIS un appareil dont le cordon d'alimentation ou la fiche est endommagé, dont le moteur du ventilateur ne tourne plus, à la suite d'une défaillance ou d'une panne, ou qui est tombé ou est endommagé de quelque manière que ce soit. Veuillez communiquer avec le service à la clientèle pour obtenir de l'aide.
- N'utilisez l'appareil que conformément à son utilisation prévue et décrite dans le présent manuel. Toute utilisation autre que celles recommandées par le fabricant risque de provoquer un incendie, un choc électrique ou des blessures.
- N'utilisez PAS cet appareil à l'extérieur.

- Ne placez rien sur le dessus de l'appareil.
- N'obstruez JAMAIS les sorties d'air, les grilles de protection ou les prises de l'appareil. Ne placez JAMAIS l'appareil sur une surface molle, telle qu'un lit ou un canapé, car cela risque de faire tomber l'appareil, obstruant la sortie ou l'entrée d'air.
- N'essayez PAS de réparer ou de régler toute fonction électrique ou mécanique de cet appareil. Agir ainsi annulera la garantie. L'intérieur de cet appareil ne contient aucune pièce remplaçable. Toute réparation doit être faite uniquement par un professionnel qualifié.
- **AVERTISSEMENT:** Pour réduire le risque d'incendie ou de choc électrique ne pas utiliser ce ventilateur avec un dispositif de commande de la vitesse à semi-conducteurs quel qu'il soit.
- Débranchez toujours l'appareil avant d'effectuer tout nettoyage ou tout entretien.
- **MISE EN GARDE :** N'utilisez PAS d'essence, de benzène, de diluant ou de nettoyants puissants (entre autres) pour nettoyer la surface intérieure ou l'extérieur de l'appareil, car cela risque de l'endommager. N'utilisez JAMAIS d'alcool ni d'autres dissolvants.

AVERTISSEMENT : CET ÉQUIPEMENT DOIT ÊTRE INSPECTÉ ET LES CELLULES DU COLLECTEUR DOIVENT ÊTRE NETTOYÉES RÉGULIÈREMENT SELON LES INSTRUCTIONS DU FABRICANT AFIN D'EMPÊCHER TOUTE ACCUMULATION EXCESSIVE DE PARTICULES DE POUSSIÈRE POUVANT ENTRAÎNER UN EMBRASEMENT OU UN RISQUE D'INCENDIE.



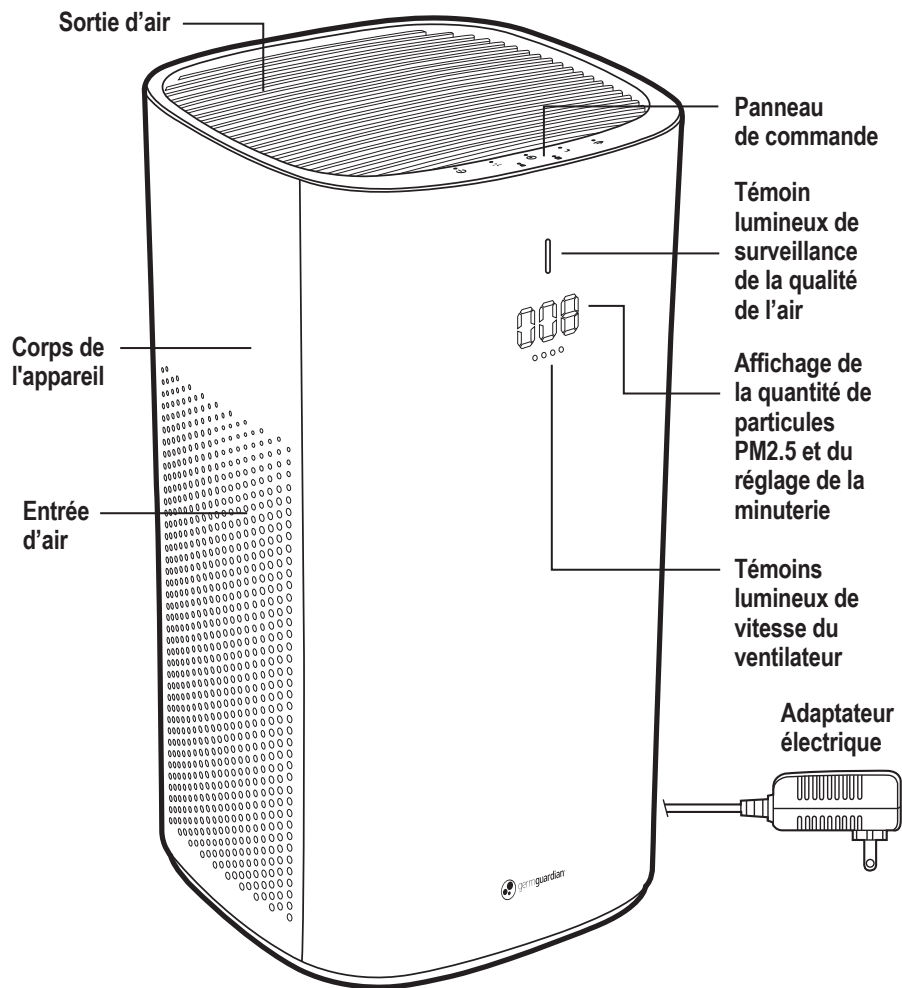
AVERTISSEMENT : Peut provoquer le cancer ou des effets nocifs sur la reproduction. Pour de plus amples informations, visitez le site www.P65Warnings.ca.gov



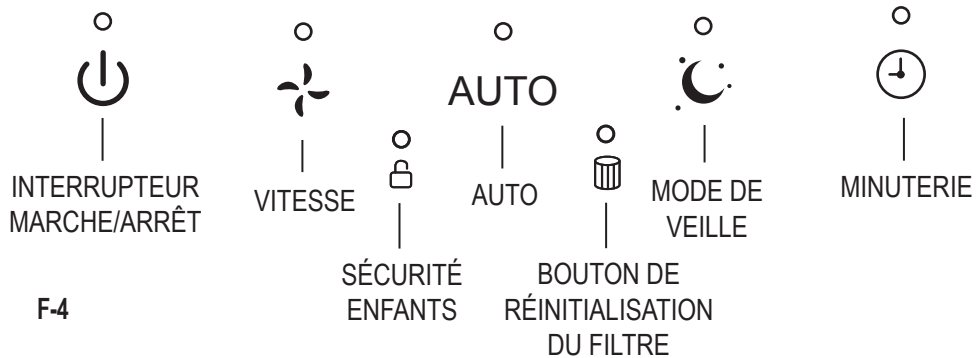
Le label ENERGY STAR a été attribué à ce produit pour avoir satisfait les normes d'efficacité énergétique strictes établies par l'agence américaine de protection de l'environnement (EPA). Les purificateurs d'air ambiant ont démontré qu'ils pouvaient améliorer la qualité de l'air et avoir des effets bénéfiques sur la santé. L'agence américaine de protection de l'environnement n'appuie pas les déclarations des fabricants concernant la mesure dans laquelle un produit spécifique produira un air intérieur plus sain. L'efficacité énergétique de ce modèle répondant aux exigences qui lui permettent de porter le symbole ENERGY STAR est mesurée selon le rapport entre le débit d'air purifié (Clean Air Delivery Rate ou CADR) du modèle pour la fumée et l'énergie électrique qu'il consomme, ou CADR/watts.

SPECIFICATIONS

Purificateur d'air avec filtre HEPA



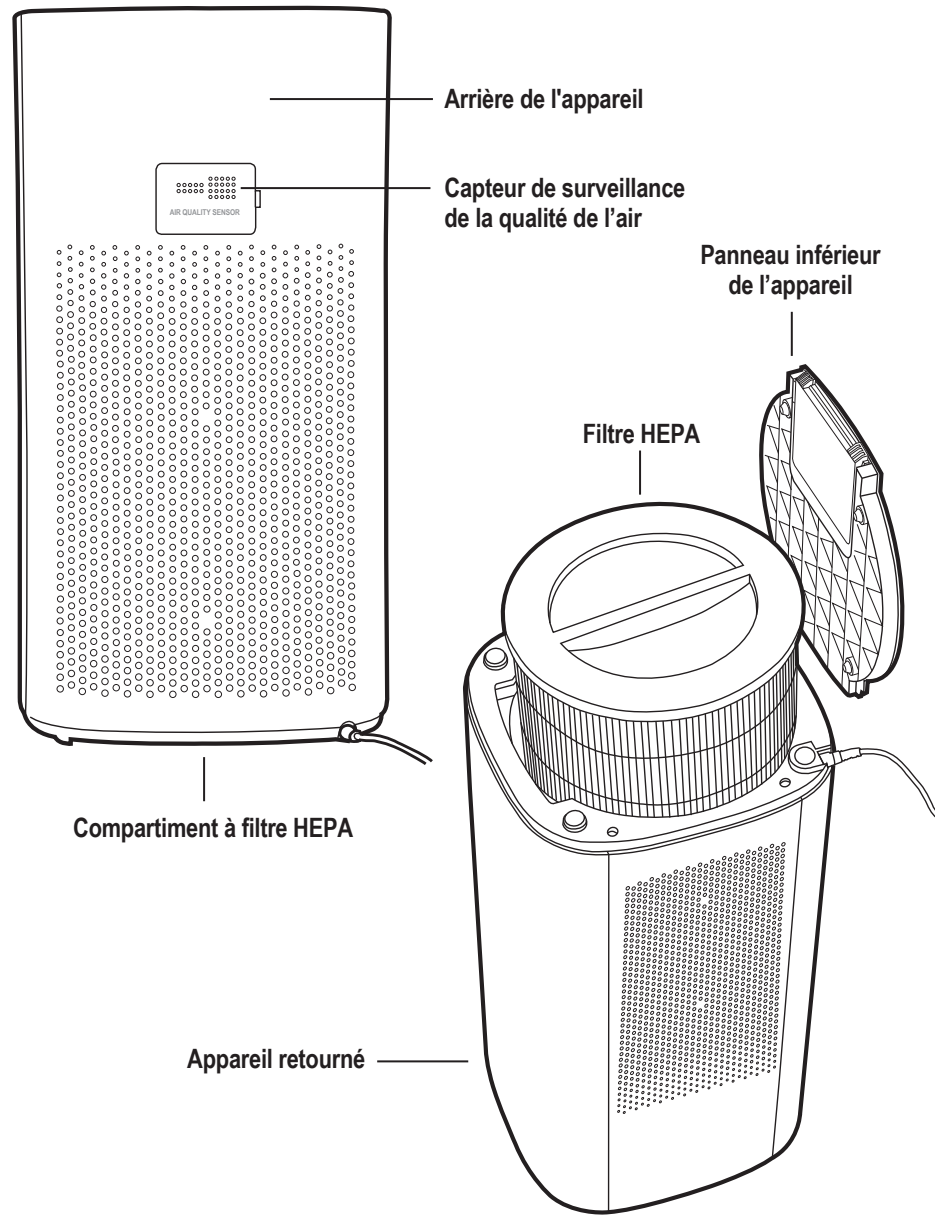
PANNEAU DE COMMANDE



F-4

SYSTÈME DE PURIFICATION D'AIR

Améliorez la qualité de l'air intérieur grâce à votre nouveau purificateur d'air Germguardian. Le filtre HEPA capture les allergènes et comprend une couche filtrante au charbon de bois pour aider à réduire les odeurs domestiques.



IMPORTANT : Le purificateur d'air est expédié avec le filtre rangé dans le compartiment à filtre. Le filtre est expédié dans un sac pour éviter sa dégradation. Avant l'utilisation, enlevez et jetez le sac.

F-5

NOTICE D'UTILISATION

IMPORTANT : Le purificateur d'air est expédié avec le filtre rangé dans le compartiment à filtre. Le filtre est expédié dans un sac pour éviter sa dégradation. Avant l'utilisation, enlevez et jetez le sac.

AVANT L'UTILISATION DU SYSTÈME DE PURIFICATION D'AIR

- Choisissez une surface dure, plane et de niveau pour y poser le purificateur d'air.
 - Pour un bon écoulement de l'air, placez l'appareil à au moins 30 cm (1 pied) de tout mur ou de tout meuble.
 - Vérifiez qu'aucune des grilles de protection n'est obstruée.
- Branchez le cordon d'alimentation dans une prise de courant standard de 120 Vca. Un signal sonore retentit lorsqu'il est branché.

FONCTIONNEMENT DU SYSTÈME DE PURIFICATION D'AIR :



ON / OFF
BUTTON

- Allumez l'appareil en appuyant sur la commande MARCHE/ARRÊT.

Remarque : La première fois que l'appareil est branché et allumé, il faudra au capteur de qualité de l'air quelques minutes pour s'étalonner.



SPEED

- Vitesse du ventilateur** – appuyez sur VITESSE et sélectionnez un niveau de vitesse de 1 à 4. La vitesse du ventilateur apparaît sur l'écran.

AUTO

- Mode Auto** – appuyez sur AUTO et un « A » s'affichera à l'écran. En mode AUTO, la vitesse du ventilateur change en fonction du niveau de qualité de l'air dans la pièce. Reportez-vous au tableau de Surveillance de la qualité de l'air (AQM). Pour sortir du mode AUTO, appuyez sur le bouton AUTO. Une pression sur l'interrupteur marche/arrêt, le bouton de vitesse ou le bouton de veille permet également de sortir du mode AUTO.



TIMER

- Minuteur** – Minuteur – L'écran du panneau avant affichera les heures pendant 10 secondes puis reprendra l'affichage de la quantité de particules PM2.5. Le produit s'éteindra et passera en mode de veille une fois la durée de réglage de la minuterie écoulée. Sélectionnez la minuterie si vous préférez faire fonctionner le purificateur pendant un nombre d'heures spécifique. Appuyez sur le bouton de la minuterie et faites défiler pour sélectionner de 1 à 10 heures. Les heures s'illumineront à l'écran. Pour annuler le réglage de la minuterie, faites défiler les heures jusqu'à ce que la fonctionnalité soit désactivée ou maintenez le bouton de la minuterie appuyé pendant 3 secondes.



SLEEP MODE

- Mode de veille** – Appuyez sur le bouton de veille pour allumer/éteindre les voyants lumineux. Lorsque ce mode est sélectionné, le voyant de veille s'atténue, les autres voyants de l'affichage s'éteignent et le purificateur fonctionne à vitesse lente. Appuyez sur n'importe quel bouton pour démarrer l'appareil et sortir du mode de veille.



CHILD LOCK

- Sécurité enfants** – Maintenez les boutons VITESSE et AUTO appuyés pendant 3 secondes pour verrouiller le panneau de commande et empêcher le réglage des boutons. L'icône de verrouillage s'illuminera à l'écran. En cas de pression sur d'autres boutons pendant le verrouillage, le voyant de sécurité enfants clignotera. Pour déverrouiller, maintenez à nouveau les boutons VITESSE et AUTO appuyés pendant 3 secondes.



FILTER
RESET

- Le voyant de réinitialisation du filtre clignote pour indiquer qu'il est temps de changer le filtre. Remplacez le filtre conformément aux instructions (p. 7). Maintenez les boutons AUTO et VEILLE appuyés pendant environ 3 secondes, jusqu'à ce que l'appareil émette un bip sonore et le voyant cesse de clignoter.

MONITEUR DE LA QUALITÉ DE L'AIR

Le moniteur de la qualité de l'air détecte la quantité de particules (PM2.5) dans l'air. Le cercle lumineux autour de l'écran changera de couleur pour indiquer le niveau de la qualité de l'air dans la pièce. La valeur numérique des particules (AQI) sera affichée. Reportez-vous aux valeurs et plages de statut dans le diagramme ci-dessous.

Les valeurs des couleurs affichées dans le cercle sont également affichées et en mode « AUTO », la vitesse du ventilateur sera sélectionnée en fonction des particules détectées.

Couleur du voyant	Valeur des particules (plage)	Statut de la qualité de l'air	Vitesse du ventilateur automatique
Vert	0-100	Bon	1
Jaune	101-200	Moyen	2
Rouge	201-300	Mauvais	3
Rouge	301-500	Très mauvais	4

RÉINITIALISATION DU PURIFICATEUR D'AIR

Le purificateur d'air est équipé d'un circuit de protection du moteur. Lorsque cette protection est activée, l'avertissement de surcharge s'allume et coupe l'alimentation. Un « carillon » d'avertissement sonore retentit pendant 60 secondes avec un avertissement « Err » clignotant sur l'écran. Pour redémarrer l'appareil, débranchez l'appareil pendant 10 minutes, puis rebranchez-le et mettez-le sous tension.

REMPACEMENT DU FILTRE

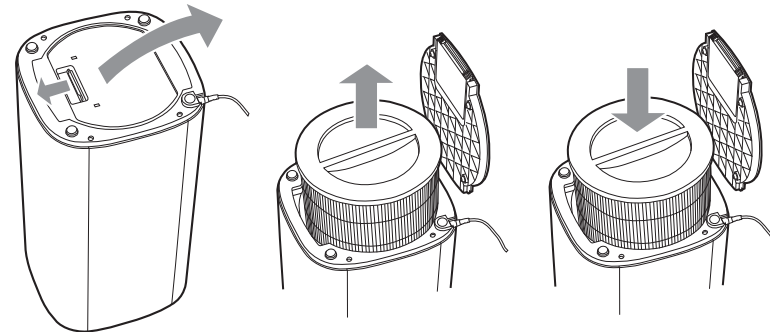
Le voyant de réinitialisation du filtre clignote pour indiquer qu'il est temps de changer le filtre. Selon l'utilisation et les conditions ambiantes, le filtre aura une durée de vie d'environ 6 mois. La couleur des plis internes du filtre passe du blanc au gris lorsqu'il est sale et doit être remplacé. Il est important d'entretenir et de changer le filtre pour maintenir la performance du purificateur d'air.

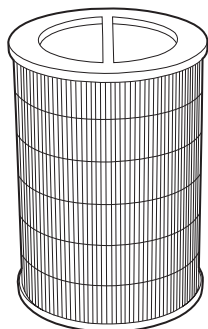
IMPORTANT: NE lavez PAS et NE réutilisez PAS le filtre. Veuillez communiquer avec le service à la clientèle ou visiter notre site à www.guardiantechnologies.com pour commander un filtre de rechange. Utilisez uniquement des pièces de rechange originales de Guardian Technologies pour optimiser les performances de votre purificateur d'air.

ENLÈVEMENT ET REMPLACEMENT DU FILTRE

- Arrêtez l'appareil et débranchez-le.
- Retournez l'appareil sur une surface plane et solide.
- Tirez sur la poignée du panneau inférieur et décrochez le panneau de l'appareil.
- Retirez le filtre et mettez-le de côté. Placez un nouveau filtre dans le module de purification d'air.
- Retournez le panneau inférieur, insérez d'abord les crochets du panneau puis refermez.
IMPORTANT: Assurez-vous que le filtre soit installé et le panneau inférieur correctement fermé, sinon l'appareil ne fonctionnera pas.

RÉINITIALISEZ LE VOYANT DU FILTRE en maintenant les boutons AUTO et VEILLE appuyés pendant 3 secondes.





PIÈCES DE REMPLACEMENT

FILTRE: **P**

Modèle n°
FLT5800



AutoShip & Save

Découvrez notre programme en ligne de rappel de remplacement des filtres.
www.guardiantechnologies.com

IMPORTANT: Pour maintenir la performance du purificateur d'air, n'utilisez que des pièces de rechange **AUTHENTIQUES** de Guardian Technologies. Pour effectuer un achat, visitez notre site Web www.guardiantechnologies.com

NETTOYAGE ET ENTRETIEN

NETTOYAGE

- Débranchez toujours l'appareil avant de le nettoyer.
- N'immerger jamais l'appareil dans l'eau ou dans un autre liquide.
- N'utilisez jamais d'agents agressifs ou inflammables comme de l'eau de Javel ou de l'alcool pour nettoyer une quelconque partie de l'appareil.

BOÎTIER DE L'APPAREIL

Nettoyez régulièrement l'intérieur et l'extérieur du boîtier de l'appareil pour y éviter l'accumulation de poussière.

1. Essuyez la poussière du boîtier de l'appareil en utilisant un chiffon doux.
2. Nettoyez l'entrée et la sortie d'air en utilisant un chiffon sec et doux.

GRILLE DE PRÉFILTRE

Le préfiltre est conçu pour collecter les grosses particules de poussière et de débris; il doit être nettoyé chaque mois ou plus fréquemment selon l'usage de l'appareil. Enlevez-le et nettoyez-le régulièrement avec la brosse fournie en accessoire ou votre aspirateur. Cela enlèvera les peluches et la saleté et aidera à prolonger la durée de vie du filtre (reportez-vous à Remplacement du filtre pour localiser et enlever le filtre). Des préfiltres de remplacement sont disponibles en visitant notre site Web à www.guardiantechnologies.com.

Remarque: N'enfoncez PAS d'objets, ni vos doigts, à l'intérieur de l'appareil.

Avertissement: N'utilisez PAS d'essence, de benzine, de diluant ou de nettoyants puissants (entre autres) pour nettoyer la surface intérieure ou l'extérieur de l'appareil, car cela risque de l'endommager. N'utilisez JAMAIS d'alcool ni d'autres dissolvants.

Qu'est-ce que le CADR?

CADR est l'acronyme de Clean Air Delivery Rate, soit le volume d'air filtré produit par un purificateur d'air. Le classement CADR indique l'efficacité d'un purificateur d'air dans sa filtration des particules fines, telles que la fumée de tabac et les pollens de plantes, dans une pièce.

Débit d'air pur

Comparez les performances des différents purificateurs d'air à l'aide du CADR. Premièrement, repérez la superficie de la pièce suggérée. Puis, consultez les données CADR. Plus la valeur est élevée, plus l'appareil filtre rapidement l'air.

Reportez-vous au site web pour chaque modèle de numéros CADR

GUIDE DE DÉPANNAGE

PROBLÈME	SOLUTION
L'appareil s'arrête intempestivement ou ne fonctionne pas.	Vérifiez que l'appareil est branché à une prise de courant fonctionnelle. Vérifiez que le filtre et le couvercle inférieur du filtre sont correctement installés. Vérifier si la protection du moteur est déclenchée. Débranchez et rebranchez l'appareil dans la prise de courant. Appelez le service à la clientèle.
L'air ne circule pas à partir de l'appareil.	Débranchez l'appareil. Vérifiez le filtre. Nettoyez ou remplacez le filtre si nécessaire.
Odeurs non éliminées.	Assurez-vous que le filtre est propre. Remplacez si nécessaire.
L'air sortant de l'appareil a une odeur.	Vérifiez l'état du filtre pour voir s'il est très sale. Remplacez si nécessaire.
Augmentation du niveau de bruit.	Assurez-vous que le filtre est propre. Remplacez si nécessaire.
L'indicateur lumineux filtre clignote sur l'écran.	Remplacez filtre et réinitialisez le voyant.
L'état de la qualité de l'air reste médiocre.	Vérifiez l'état du filtre pour voir s'il est très sale. Remplacez si nécessaire. Augmentez la vitesse du ventilateur pour faire circuler l'air.

GARANTÍA LIMITADA

Para el consumidor, Guardian Technologies LLC garantiza que este producto se encuentra libre de defectos de materiales o mano de obra a partir de la fecha de compra original. Para poder ser elegible para esta Garantía limitada, se requiere presentar el recibo original de la venta o un comprobante de compra sustituto comparable que lleve la fecha de la compra original. Consulte la caja original del producto o la página del producto/modelo específico en el sitio web de Guardian Technologies para consultar la duración de la garantía de su modelo en particular. Esta garantía aplica solamente para el comprador original de este producto, a partir de la fecha original de compra. Esta garantía cubre únicamente los productos comprados a distribuidores autorizados.

Esta garantía aplica para reparaciones o reemplazos de productos con defectos en el material o en la mano de obra. Esta garantía no aplica para los daños que se deriven del desgaste inusual; el uso comercial, abusivo, irrazonable, o daños suplementarios. Esta garantía no cubre los daños que se deriven de reparaciones no autorizadas, o de algún uso que no esté de acuerdo con este manual de instrucciones. Los defectos que se deriven del uso y desgaste normales no se considerarán defectos de fábrica bajo esta garantía.

Si durante el período de garantía se detecta que el producto está defectuoso, repararemos o reemplazaremos las piezas defectuosas sin ningún costo. Guardian Technologies LLC deberá realizar todas las reparaciones de garantía. Esta garantía le otorga derechos legales específicos y usted pudiera tener otros derechos adicionales (los cuales varían en cada estado de los EE.UU.)

Para presentar un producto para garantía, la máquina completa se debe enviar, con el envío pagado con anterioridad, a Guardian Technologies LLC. El envío debe contener la información completa, que incluye: el problema, el número de modelo del producto, el día de la compra y una copia del recibo de compra original, junto con su nombre, dirección y teléfono (correo electrónico opcional). Envíe el producto para devolución a: Servicio al cliente, a la siguiente dirección. Si tiene alguna pregunta o comentario, puede llamar a la línea telefónica gratuita indicada más adelante.

EE.UU. y Canadá
Guardian Technologies LLC
26251 Bluestone Blvd.
Euclid, Ohio 44132
1.866.603.5900
www.guardiantechnologies.com

Visite www.guardiantechnologies.com para registrar su producto. Consideramos que el proceso de registro es importante para garantizar un servicio superior a nuestros clientes; sin embargo, el envío de la tarjeta de garantía es opcional y no afecta sus derechos para utilizar la garantía de acuerdo a las condiciones estipuladas anteriormente.

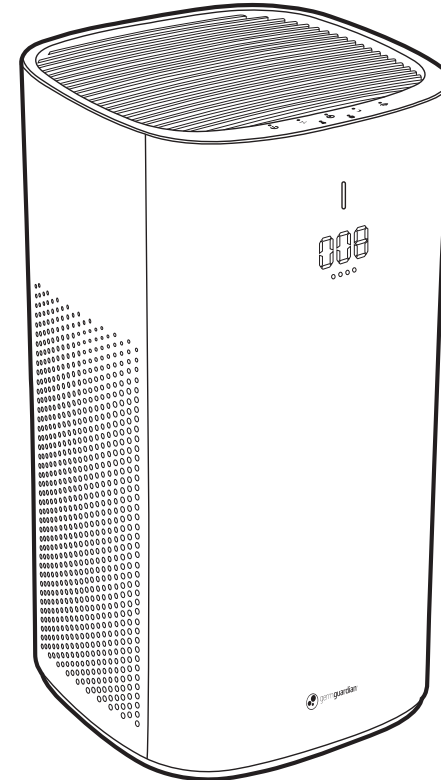
Se pueden obtener copias adicionales al acceder directamente a nuestro sitio web para imprimirlas, o al llamar al departamento de servicio al cliente.



©2016 Guardian Technologies LLC



UTILISATION ET INSTRUCTIONS D'ENTRETIEN



Sistema purificador de aire de alto rendimiento 3 en 1

NÚMERO DE MODELO: AP5800

Garantía limitada por 3 año

Departamento Deservicio 1.866.603.5900
www.guardiantechnologies.com

Fecha de compra mes _____ año _____

Inglés E - 1 Francés F - 1 Español S - 1

Use solamente las piezas de repuesto Guardian Technologies genuinas.

REV0620

LEA Y GUARDE ESTAS INSTRUCCIONES ADVERTENCIAS

El no cumplir las advertencias que se enumeran a continuación puede provocar un choque eléctrico o lesiones severas.



Debe usarse este producto sólo de acuerdo a las especificaciones descritas en este manual. Usarlo de una manera diferente a lo indicado puede ocasionar lesiones severas.

Al usar un electrodoméstico, debe seguir siempre ciertas precauciones básicas para disminuir el riesgo de incendio, choque eléctrico y lesiones personales, las cuales incluyen todo lo siguiente:

- Antes de usar el electrodoméstico, lea todas las instrucciones.
- **ADVERTENCIA:** Para disminuir el riesgo de incendio o choque eléctrico, no usar un cable de extensión.
- Para evitar un incendio o choque eléctrico, conecte directamente el aparato a un tomacorriente de 120 V de corriente CA.
- Mantenga el cordón eléctrico alejado de las áreas de gran tránsito peatonal. Para evitar el riesgo de incendio, NUNCA ponga el cordón eléctrico debajo de las alfombras, ni cerca de rejillas de calefacción, radiadores, estufas ni calentadores.
- Para evitar los riesgos eléctricos, NO sumerja este aparato en agua o en otros líquidos. No use este aparato cerca del agua.
- Cuando se utilice un aparato en un área donde hay niños o mascotas presentes, debe vigilarlos en todo momento.
- Desconecte siempre el purificador de aire antes de moverlo, abrir la rejilla, cambiar los filtros, antes de limpiarlo o cuando no lo use. Asegúrese de desconectarlo tomándolo del enchufe, no del cordón eléctrico.
- NUNCA deje caer ni inserte un objeto en cualquier abertura.
- No pase el cordón eléctrico por debajo de la alfombra.
- No cubra el cordón eléctrico con tapetes, plásticos protectores para alfombrado o cubiertas similares.
- No pase el cordón eléctrico por debajo de los muebles o aparatos electrodomésticos. Mantenga el cordón eléctrico alejado de las áreas de gran tránsito peatonal y de los lugares en que pueda provocar tropezones.
- NO utilice ningún aparato cuyo cordón eléctrico o clavija estén dañados, si el motor del ventilador no gira, si el aparato no funciona correctamente o si se ha caído o dañado de alguna forma. Si necesita ayuda, llame al departamento de servicio al cliente.
- Use este aparato únicamente para el uso doméstico previsto, como se describe en este manual. Cualquier otro tipo de uso no recomendado por el fabricante podría provocar un incendio, choque eléctrico o lesiones personales.
- No se debe utilizar en exteriores.
- No coloque nada encima de la unidad.

- NUNCA bloquee las aberturas para el aire, las rejillas/salidas del aparato, ni coloque el producto sobre una superficie suave, como una cama o sofá, ya que esto podría provocar que el aparato se vuelque, se bloquee la abertura de entrada o la salida del aire.
- No intente reparar o ajustar un funcionamiento eléctrico o mecánico incorrecto de esta unidad. El hacerlo anulará la garantía. El interior del aparato no contiene piezas que requieren mantenimiento. Todas las labores de servicio y mantenimiento deben ser realizadas sólo por personal calificado.
- **ADVERTENCIA:** Para disminuir el riesgo de incendio o choque eléctrico, no utilice este ventilador con ningún dispositivo de control de velocidad de estado sólido.
- Desconecte siempre la unidad antes de limpiarla o darle mantenimiento.
- **PRECAUCIÓN:** NO utilice gasolina, benceno, solvente, limpiadores agresivos, etc. para limpiar el interior y el exterior de la unidad, ya que podrían dañar el aparato. NUNCA utilice alcohol ni otro tipo de solventes.

PRECAUCIÓN: ESTE EQUIPO DEBE INSPECCIONARSE, Y LAS CELDAS COLECTORAS DEBEN LIMPIARSE DE ACUERDO CON LAS INSTRUCCIONES DEL FABRICANTE DE MANERA REGULAR, PARA EVITAR LA ACUMULACIÓN EXCESIVA DE PARTÍCULAS DE POLVO QUE PUEDAN RESULTAR EN UNA DESCARGA DISRUPTIVA O EN UN RIESGO DE INCENDIO.



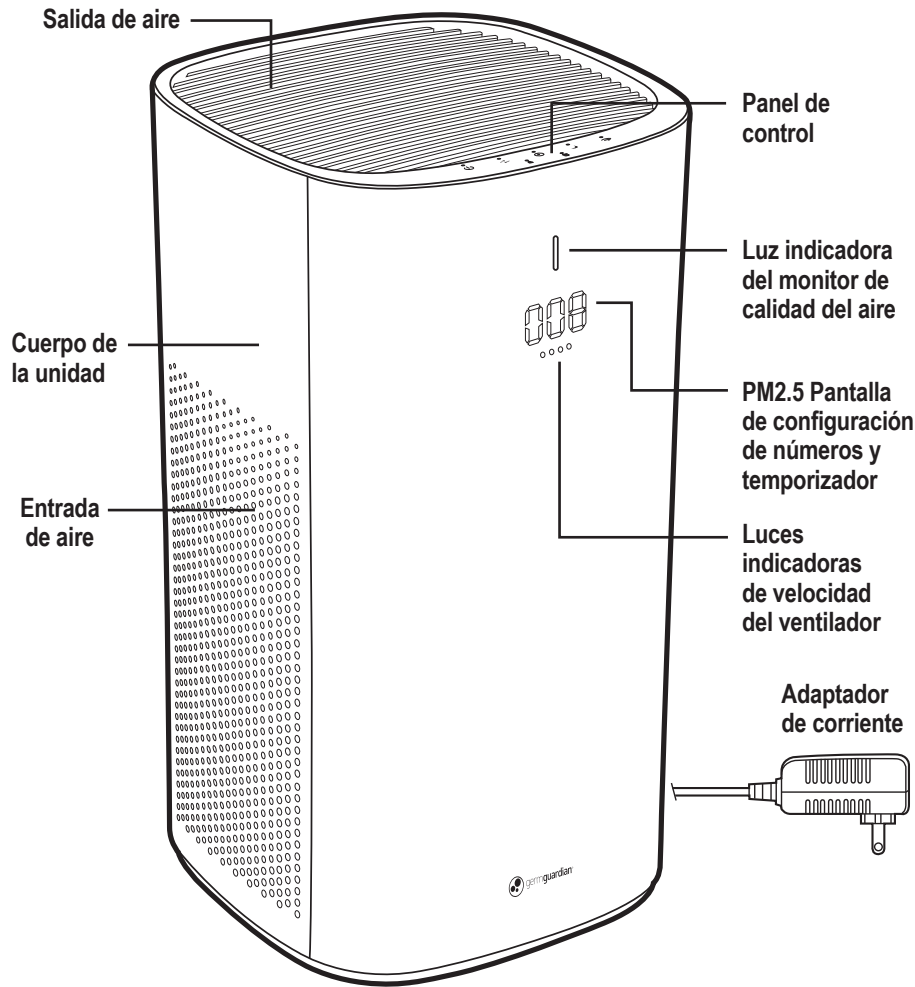
WARNING: Cáncer y daños al sistema reproductivo.
Para mayor información, visite www.P65Warnings.ca.gov.



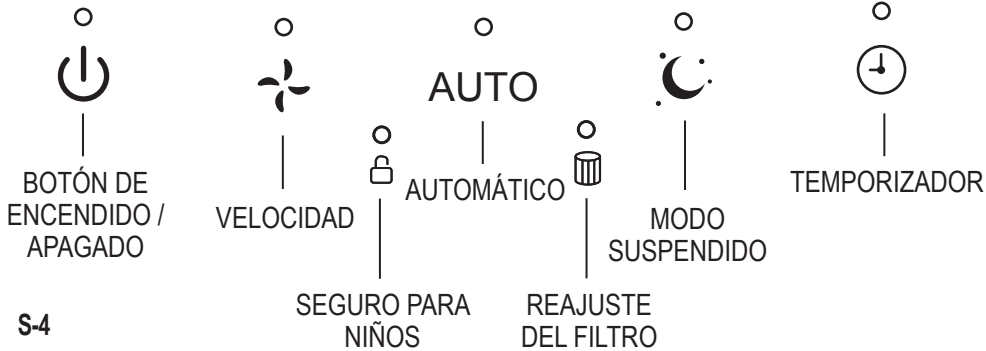
Este producto obtuvo la certificación ENERGY STAR mediante el cumplimiento de estrictas normas de ahorro de energía establecidas por la Agencia de Protección Ambiental (EPA, por su sigla en inglés) de los Estados Unidos. Los purificadores de aire para habitaciones han demostrado tener potencial para mejorar la calidad del aire y brindar beneficios para la salud. La EPA de los Estados Unidos no respalda las afirmaciones hechas por cualquier fabricante sobre la obtención de una calidad de aire en interiores más saludable debido al uso de un determinado producto. La eficiencia energética de este modelo con la certificación ENERGY STAR se mide con base en la proporción del promedio de emisión de aire puro (CADR, por su sigla en inglés) del modelo para el humo y la energía eléctrica que consume, o CADR/vatio.

ESPECIFICACIONES

Purificador de aire con filtro HEPA



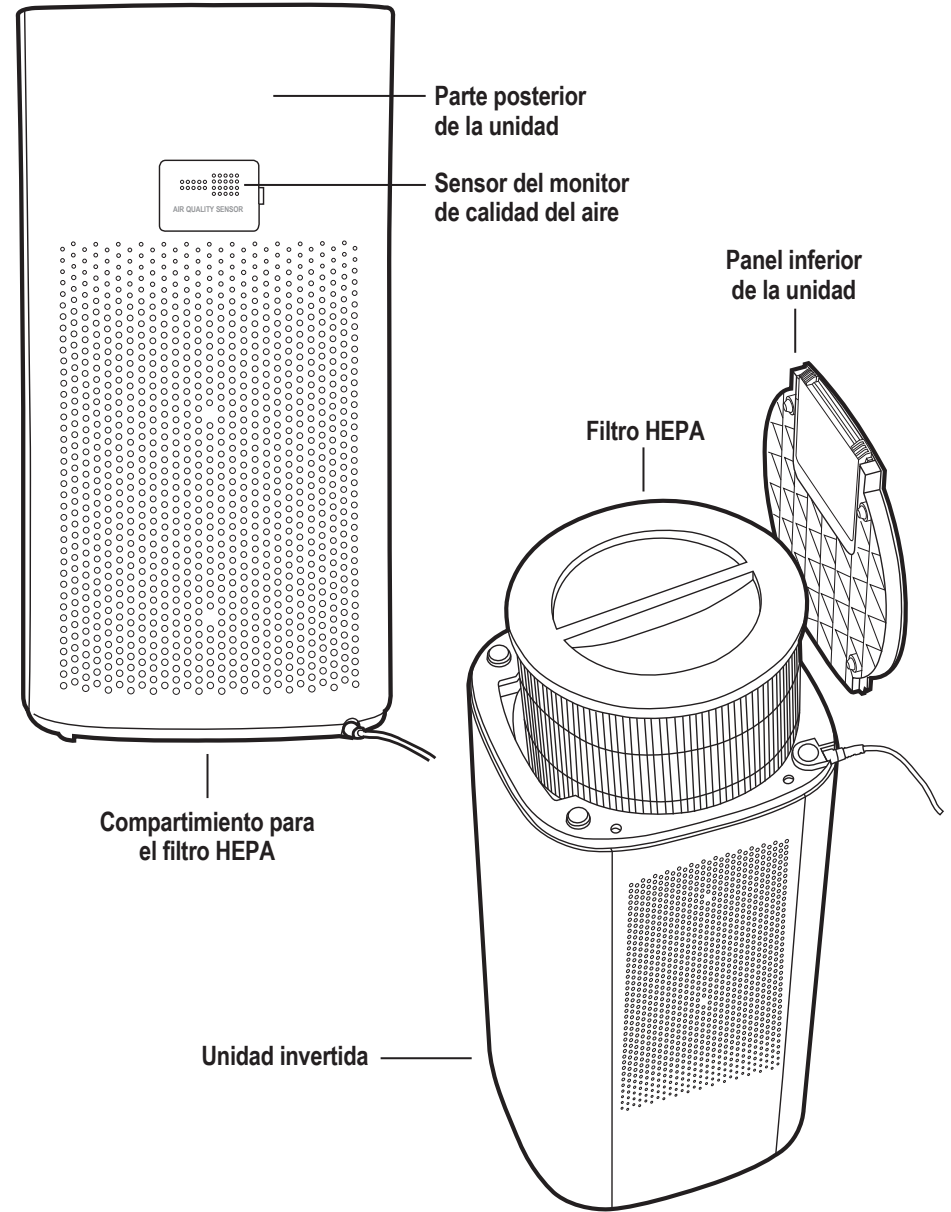
PANEL DE CONTROL



S-4

SISTEMA PARA LA LIMPIEZA DEL AIRE

Mejore la calidad del aire dentro de su hogar con su nuevo Purificador de Aire Germguardian. El filtro HEPA captura los alérgenos e incluye una capa de filtro de carbón para ayudar a reducir los olores del hogar.



IMPORTANTE: El purificador de aire se envía con el filtro guardados en el compartimiento del filtro. El filtro se envía en una bolsa para evitar que se degrade. Antes de usarlo, retire la bolsa y deséchela.

S-5

INSTRUCCIONES DE FUNCIONAMIENTO

IMPORTANTE: El purificador de aire se envía con el filtro guardados en el compartimiento del filtro. El filtro se envía en una bolsa para evitar que se degrade. Antes de usarlo, retire la bolsa y deséchela.

ANTES DE PONER EN FUNCIONAMIENTO EL PURIFICADOR DE AIRE

1. Elija una superficie firme, plana y nivelada para colocar el purificador de aire.
 - Para que el flujo de aire sea adecuado, ubique el aparato al menos a una distancia de 30.5 cm (1 pie) de la pared o muebles.
 - Verifique que ninguna de las rejillas esté bloqueada.
2. Conecte el cable eléctrico a una toma de corriente de 120 V de corriente CA. Se escuchará un tono audible cuando se conecta.

FUNCIONAMIENTO DEL PURIFICADOR DE AIRE



ON / OFF
BUTTON

1. Encienda la unidad al presionar el control de ENCENDIDO/APAGADO.
Nota: La primera vez que se conecta y enciende la unidad, el sensor de calidad del aire tardará unos minutos en calibrarse.



SPEED

2. **Velocidad del ventilador** – presione “SPEED” (Velocidad) y seleccione el nivel de velocidad 1 a 4. La velocidad del ventilador encenderá la pantalla.

AUTO



TIMER

3. **Modo Automático** – presione “AUTO” (Automático) y se encenderá una “A” en la pantalla. Cuando esté en el modo “AUTO” (Automático), la velocidad del ventilador cambiará según el nivel de la calidad del aire de la habitación. Consulte el cuadro Monitor de la calidad de aire (AQM). Para salir del modo “AUTO”, presione el control AUTO. Si presiona los controles de encendido / apagado, velocidad o suspensión también saldrá del modo “AUTO”.

4. **Temporizador** – las horas se encenderán en la pantalla delantera durante 10 segundos y volverá a los números PM2.5. El producto se apagará e ingresará en modo “stand-by” (en espera) una vez que finalice el temporizador. Seleccione si prefiere que el purificador funcione durante una cantidad específica de horas. Presione el control de temporizador y siga presionando para seleccionar entre 1 y 10 horas. Se mostrarán con luz las horas en la pantalla. Para cancelar el temporizador, seleccione las horas hasta que la funcionalidad se apague o mantenga presionado el botón del temporizador durante 3 segundos.



SLEEP MODE

5. **Modo suspendido** – presione el control “Sleep” (Suspensión) para apagar o encender la luz de la pantalla. Al seleccionarlo, la luz de suspensión se hará más tenue, las otras luces se apagarán y el purificador funcionará a baja velocidad. Presione cualquier control para encender la unidad y cerrar el modo “Sleep” (Suspendido).



CHILD LOCK

6. **Seguro para niños** – mantenga presionados los controles “SPEED” y “AUTO” durante 3 segundos para bloquear el panel de control de manera que no sea posible ajustar los controles. Se mostrará con luz el ícono de bloqueo en la pantalla. Si otros controles están presionados durante el bloqueo, el indicador Seguro para niños parpadeará. Para desbloquear, mantenga presionados los controles “SPEED” y “AUTO” nuevamente durante 3 segundos.



FILTER
RESET

7. El Indicador de reajuste del filtro parpadea para indicar que es momento de cambiar el filtro. Reemplace el filtro de acuerdo con las instrucciones (pág. 7). Mantenga presionados los controles “AUTO” y “SLEEP” durante 3 segundos, la unidad emitirá un sonido antes de que se detenga el indicador parpadeante.

MONITOR DE LA CALIDAD DEL AIRE

El monitor de la calidad del aire detecta la cantidad de partículas (PM 2.5) en el aire. El círculo de luz alrededor de la pantalla cambiará de color, para indicar el nivel de la calidad del aire en la habitación. Se mostrará el valor numérico de las partículas de materia (AQI). Vea los valores y los rangos de estado en la siguiente tabla.

También se indican los valores de color mostrados en el círculo y el modo “AUTO” de la velocidad del ventilador se seleccionará según la cantidad de partículas que se detecte.

Color de la luz	Valor de partículas (rango)	Estado de la calidad del aire	Ventilador a velocidad Automática
Verde	0-100	Bueno	1
Amarillo	101-200	Promedio	2
Rojo	201-300	Malo	3
Rojo	301-500	Muy malo	4

CÓMO RESTABLECER EL PURIFICADOR DE AIRE

El purificador de aire está equipado con un circuito de protección del motor. Si se activa, se iniciará la advertencia de sobrecarga y se cortará la energía. Sonará un “timbre” de advertencia durante 60 segundos, junto con el mensaje de error “Err” parpadeante en la pantalla. Para reiniciar la unidad, desenchúfela durante 10 minutos, luego vuelva a enchufarla y enciéndala.

REEMPLAZO DEL FILTRO

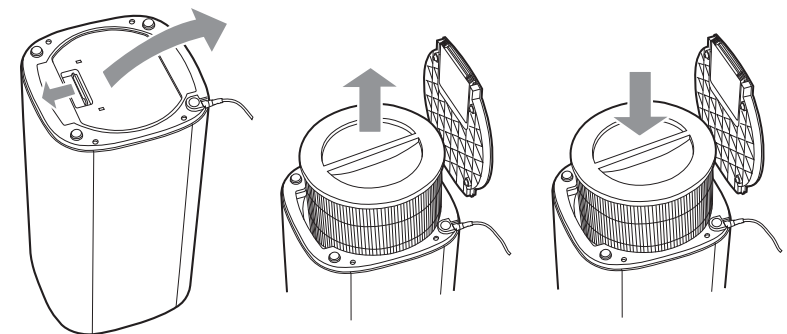
El Indicador de reajuste del filtro parpadea para indicar que es momento de cambiar el filtro. Dependiendo del uso del aparato y de las condiciones ambientales, el filtro puede durar 6 meses aproximadamente. Los pliegues interiores del filtro cambiarán de blanco a color gris cuando esté sucio y haga falta reemplazarlo. Es importante mantener y cambiar el filtro para seguir optimizando el rendimiento del purificador de aire.

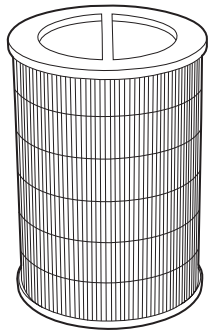
IMPORTANTE: NO lave y reutilice el filtro. Para comprar un filtro de repuesto, comuníquese con el departamento de servicio al cliente o visite nuestro sitio web www.guardiantechnologies.com. Utilice únicamente piezas de repuesto genuinas de Guardian Technologies para optimizar el desempeño de su purificador de aire.

CÓMO RETIRAR Y REEMPLAZAR EL FILTRO

1. Apague y desenchufe la unidad.
2. Coloque la unidad boca abajo sobre una superficie firme y plana.
3. Jale el asa sobre el panel inferior y quite el panel de la unidad.
4. Retire el filtro y elimínelo. Coloque el nuevo filtro en la unidad del purificador de aire.
5. Vuelva a colocar el panel inferior; primero inserte los ganchos del panel y luego ciérrelo.
IMPORTANTE: Asegúrese de que el filtro esté instalado y de que el panel inferior esté bien cerrado, de lo contrario la unidad no funcionará.

Para REINICIAR LA LUZ DEL FILTRO, mantenga presionados los controles “AUTO” y “SLEEP” durante 3 segundos.





PARTES DE REPUESTO

FILTRO: **P**

Modelo No.
FLT5800



AutoShip & Save

Pruebe nuestro recordatorio de cambio de filtro y el programa de filtros de repuesto en línea.

www.guardiantechnologies.com

IMPORTANTE: Para mantener el desempeño del purificador de aire, utilice únicamente piezas de repuesto **GENUINAS** de Guardian Technologies. Para comprar, visite nuestro sitio web www.guardiantechnologies.com

LIMPIEZA Y MANTENIMIENTO

LIMPIEZA

- Siempre desenchufe la unidad antes de limpiarla.
- Nunca sumerja la unidad en agua o en otro líquido.
- Nunca use agentes limpiadores agresivos o inflamables como lejía o alcohol para limpiar ninguna parte de la unidad.

CUERPO DE LA UNIDAD

Limpie regularmente el interior y el exterior del cuerpo para evitar que se acumule polvo en el interior y en el exterior.

1. Para limpiar el polvo pase un paño suave y seco por el cuerpo de la unidad.
2. Limpie la entrada y la salida de aire con un paño suave y seco.

PANTALLA DE PREFILTRO

El prefiltro fue diseñado para capturar las partículas grandes de polvo y residuos. Se debe limpiar en forma mensual o con más frecuencia según el uso. Retire y limpie regularmente con el cepillo de la aspiradora. Esto quitará las pelusas y el polvo y ayudará a mantener la vida útil del filtro (consulte la sección de reemplazo del filtro para ubicar y retirar el filtro). Los prefiltros de repuesto están disponibles visitando nuestro sitio web en www.guardiantechnologies.com.

NOTA: NO introduzca ningún objeto extraño ni sus dedos de la unidad.

PRECAUCION: NO utilice gasolina, bencina, solvente, limpiadores agresivos, etc. para limpiar el interior y el exterior de la unidad, ya que podrían dañar el aparato.

NUNCA utilice alcohol ni otro tipo de solventes.

¿Qué significa CADR?

CADR es la sigla en inglés de Clean Air Delivery Rate, e indica el volumen de aire filtrado por un purificador de aire. Las clasificaciones CADR muestran la efectividad del purificador de aire para atrapar las partículas finas del humo del tabaco y pólenes en la habitación, entre otras.

Promedio de emisión de aire puro

Compare los números CADR entre un purificador de aire y otro. Mire primero el tamaño de la habitación para la cual se recomienda. Enseguida, consulte los números del promedio de emisión de aire puro (CADR). Mientras más elevado sea el número, más rápidamente se filtra el aire.

Consulte el sitio web para los números CADR modelo individuales.

GUÍA DE SOLUCIÓN DE PROBLEMAS

PROBLEMA	SOLUCIÓN
La unidad se apaga inesperadamente o no funciona.	Verifique que la unidad esté conectada en un tomacorriente que funcione perfectamente. Verifique que el filtro y la cubierta inferior del filtro estén correctamente instaladas. Verifique si se activó el protector del motor. Desconéctelo y vuélvalo a conectar a la salida. Llame al departamento de servicio al cliente.
La unidad no hace circular aire.	Desconecte la unidad. Verifique el filtro. Limpie o reemplace el filtro si es necesario.
Los olores no se eliminan.	Cerciórese que el filtro esté limpio. Reemplácelo si fuera necesario.
El aire de salida tiene un olor.	Verifique si el filtro está muy sucio. Reemplácelo si fuera necesario.
Incremento del nivel de ruido.	Cerciórese que el filtro esté limpio. Reemplácelo si fuera necesario.
La luz del indicador filtro está parpadeando.	Reemplace el filtro y restablezca el sistema.
El estado de la calidad del aire sigue siendo malo.	Verifique si el filtro está muy sucio. Reemplácelo si fuera necesario. Aumente la velocidad del ventilador para circular el aire.