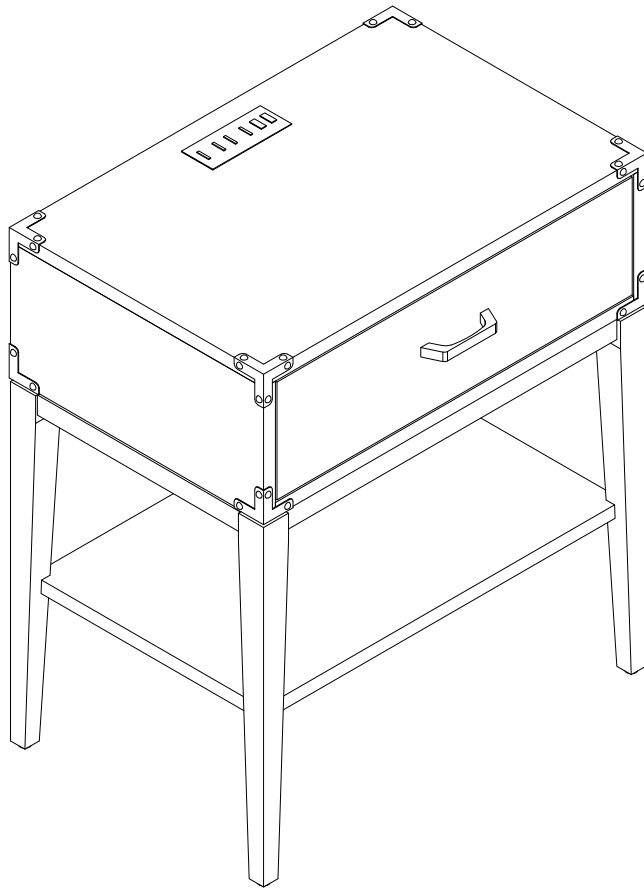


Assembly Instructions, #24022

Beckett Side Table

Note:

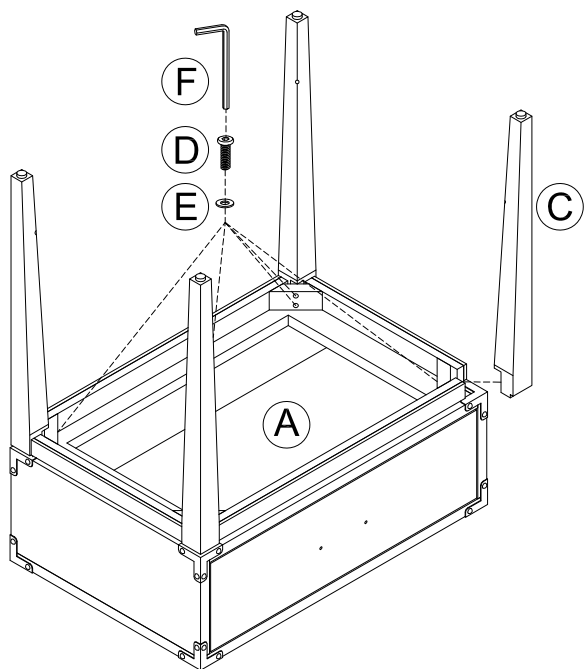
A packet with complete set of hardware can be found by pulling the red ribbon that's easily visible upon opening the box.



A: Drawer box	
B: Shelf	
C: (4) Legs	
D: (8) Bolts	
E: (8) Flat Washers	
F: Allen Wrench	
G: (4) Shelf Supports	
H: Door Pull	
I: (2) Machine Screws	

Step 1

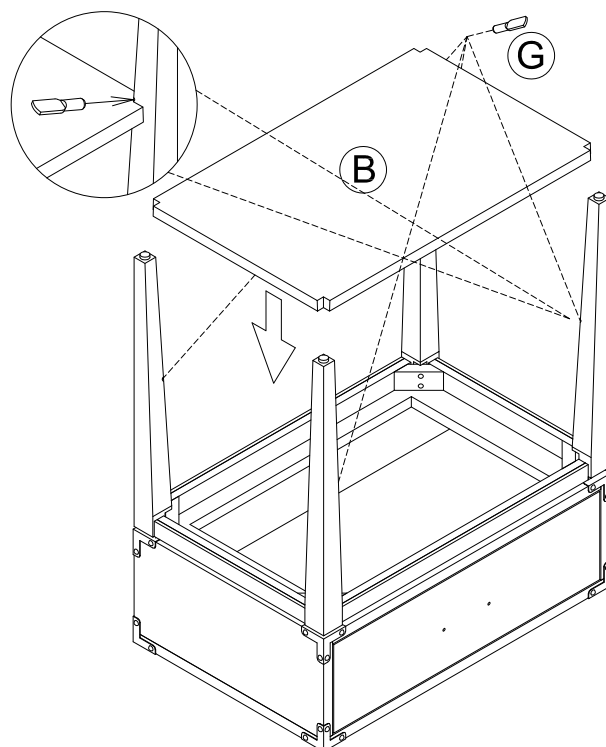
1.1) Place the drawer box upside down on a soft surface, fasten 4 legs with bolts and flat washers.



Step 2

2.1) Put the shelf upside-down between 4 legs until it goes past the shelf support holes.

2.2) Insert the shelf support into the holes.



Step 3

3.1) Flip the table upright. Open the drawer to install the drawer pull with 2 machine screws.

