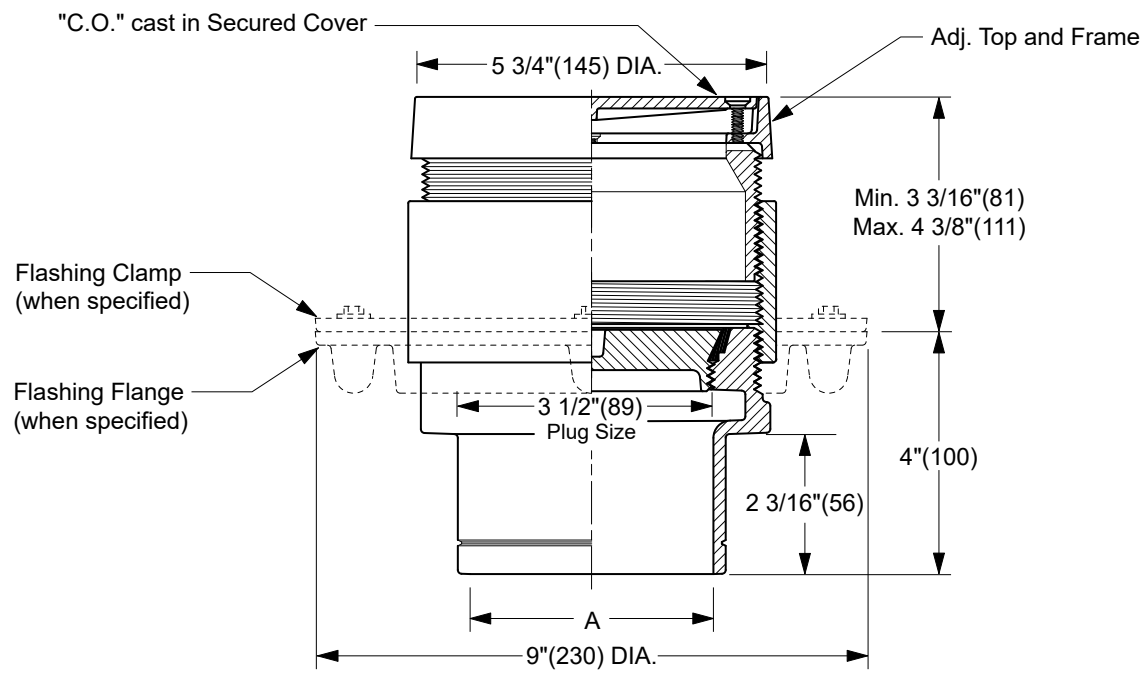


FINISHED FLOOR CLEANOUTS WITH "TWIS-TO-FLOOR®" ADJUSTABLE TOPS

ROUND NICKEL BRONZE TOP



TWIS-TO-FLOOR® ADJUSTMENT
NO-HUB OUTLET

"A" (Pipe Size) = 02(50), 03(75), 04(100) or 05(125)

NOTE: For applications using core drilling, the largest diameter of the cleanout assembly is 6 5/16"(160).

- | | | |
|--------------------------|---|---|
| <input type="checkbox"/> | Fig. 4020S.....Gasket Seal - ABS Plug | (Twis-to-Floor® design shown with gasketed plug.) |
| <input type="checkbox"/> | Fig. 4021S.....Gasket Seal - Bronze Plug | |
| <input type="checkbox"/> | Fig. 4023S.....Taper Thread - Bronze Plug | |
| <input type="checkbox"/> | Fig. 4024S.....Taper Thread - ABS Plug | |

REGULARLY FURNISHED:

Duco Cast Iron Cleanout with Round Adjustable Scoriated Secured Nickel Bronze Top. Closure Plug Type as Indicated By Figure Number Selected.

VARIATIONS:

- | | |
|--------------------------|---------------------------------|
| <input type="checkbox"/> | Flashing Flange -F |
| <input type="checkbox"/> | Flange with Flashing Clamp -F-C |
| <input type="checkbox"/> | Carpet Clamping Type -X |
| <input type="checkbox"/> | Carpet Marker Type -Y |
| <input type="checkbox"/> | Vandal Proof Top -U |
| <input type="checkbox"/> | Wide Flange (DX) |

OPTIONAL MATERIALS:

- | | |
|--------------------------|---------------------------|
| <input type="checkbox"/> | Galvanized Cast Iron -G |
| <input type="checkbox"/> | Polished Bronze Top -PB |
| <input type="checkbox"/> | Stainless Steel Top -NBSS |

NOTE: Dimensions shown in parentheses are in millimeters.

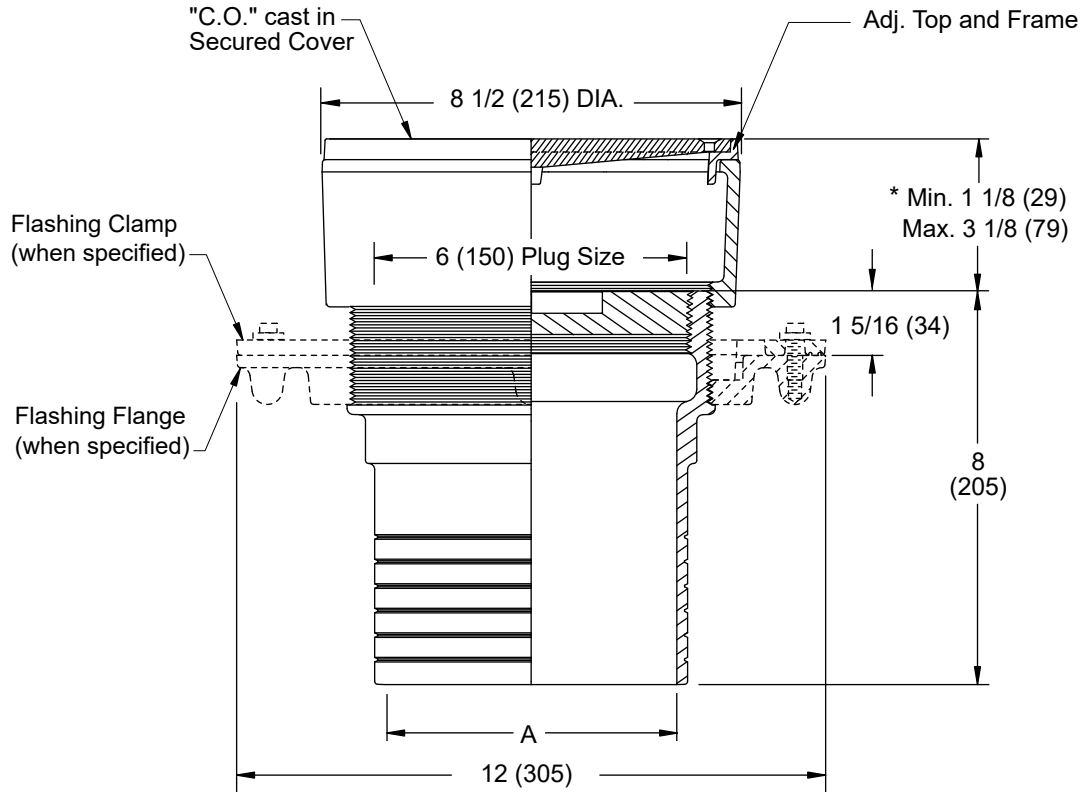
DRAWING NUMBER S4020
SIZE A
SCALE: NONE
DATE: 2-16-70
APPROVED BY: JM
CHECKED BY: BH
DRAWN BY: RK
4020 SERIES
FIGURE NUMBER

WE CAN ASSUME NO RESPONSIBILITY FOR USE OF SUPERSEDED OR VOID DATA
DIMENSIONS ARE SUBJECT TO MANUFACTURERS TOLERANCE AND CHANGE WITHOUT NOTICE

Q P N M	8-11-23 8-20-20 11-20-09 12/18/08	Removed Function Addition to Opt. Materials Revised Variations Addition to Variations	HS MW RN JJ	CL CL BW BW	WEIGHT POUNDS	VOLUME CUBIC FEET	FIGURE NUMBER 4020 SERIES
REV.	DATE	DESCRIPTION	BY	CKD. BY			

FINISHED FLOOR CLEANOUTS WITH "TWIS-TO-FLOOR®" ADJUSTABLE TOPS

ROUND NICKEL BRONZE TOP



SPIGOT OUTLET▲
 "A" (Pipe Size) = 06(150) & 08(200)

▲ Sized for Service Weight and/or NO-HUB.
 * When Flange-F is specified Min. 1 1/8 (29) becomes 1 5/8 (41)

"TWIS-TO-FLOOR®" ADJUSTMENT
 SPIGOT OUTLET▲

Fig. 4023S.....Taper Thread - Bronze Plug

REGULARLY FURNISHED:

Duco Cast Iron Cleanout with Taper Thread Bronze Plug and Round Adjustable Scoriated Secured Nickel Bronze Top.

VARIATIONS:

- Flashing Flange -F
- Flange with Flashing Clamp -F-C
- Carpet Clamping Type -X
- Carpet Marker Type -Y
- Vandal Proof Top -U
- Wide Flange (DX)

OPTIONAL MATERIALS:

- Galvanized Cast Iron -G
- Polished Bronze Top -PB
- Stainless Steel Top -NBSS

NOTE: Dimensions shown in parentheses are in millimeters.

DRAWING NUMBER
 S4020BS

SIZE
 A

SCALE:
 NONE

DATE:
 5-5-06

APPROVED BY:
 CEL

CHECKED BY:
 CL

DRAWN BY:
 RN

FIGURE NUMBER
 4023

DIMENSIONS ARE SUBJECT TO MANUFACTURERS TOLERANCE AND CHANGE WITHOUT NOTICE
 WE CAN ASSUME NO RESPONSIBILITY FOR USE OF SUPERSEDED OR VOID DATA

REV.	DATE	DESCRIPTION	BY	CKD. BY
B A	8-18-23 3-10-23	Removed Function Revised Optional Materials	HS KK	CL CL

WEIGHT POUNDS	VOLUME CUBIC FEET
------------------	----------------------

FIGURE NUMBER 4023
