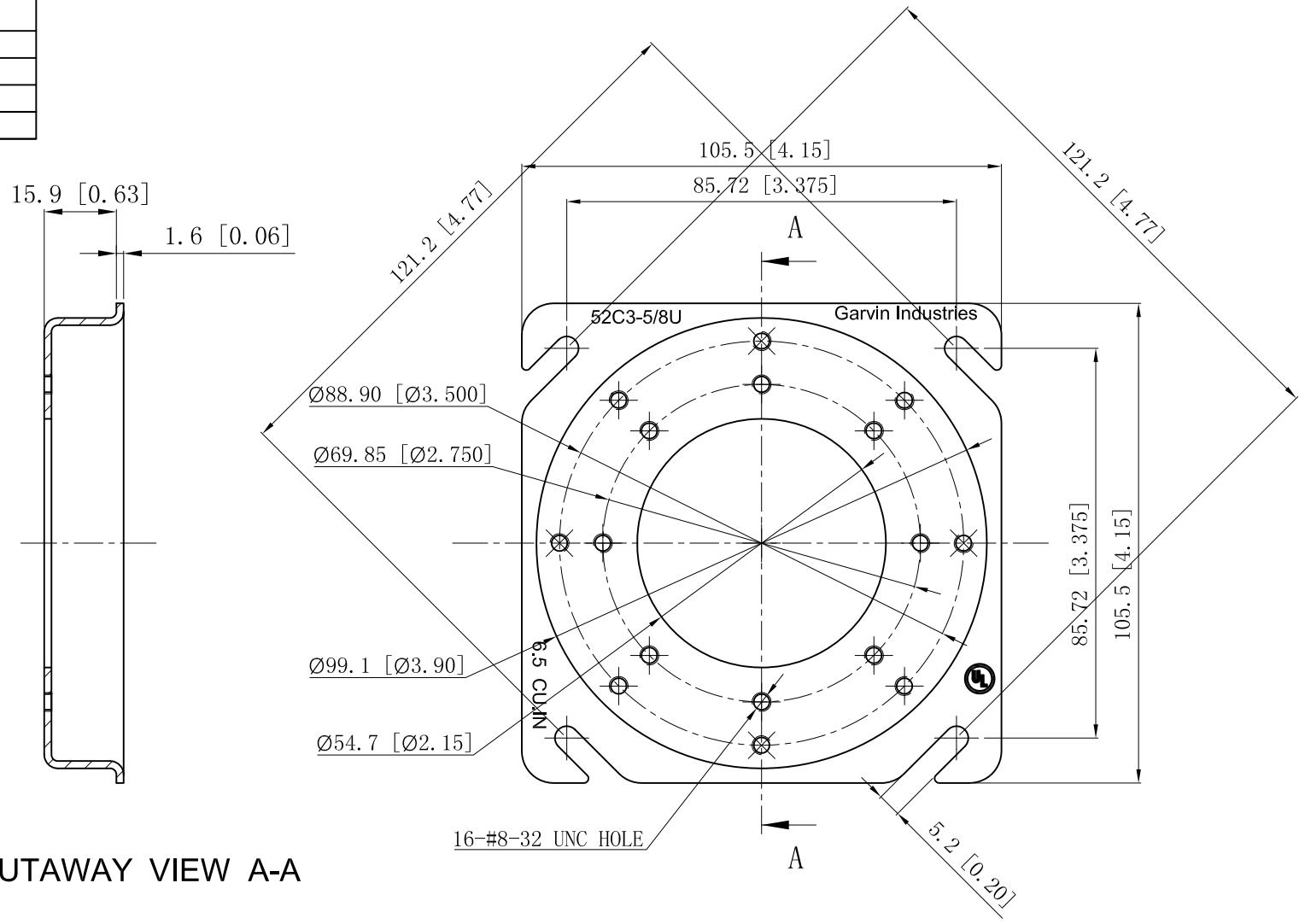


SIDES	BOTTOM
Material: Steel-0.0625"-G60 Galvanized	



CUTAWAY VIEW A-A

This data sheet is for reference only .GARVIN INDUSTRIES reserves the right to make changes to the design without prior notice.

DESCRIPTION
TRADE REFERENCE TERMS

STANDARD PACKING	GARVIN INDUSTRIES		
	TITLE 4" SQUQRE-TO-ROUND DEVICE RINGS		
	SIZE A4	DWG NO. 52C3-5/8U	REV A
	DATA SHEET		