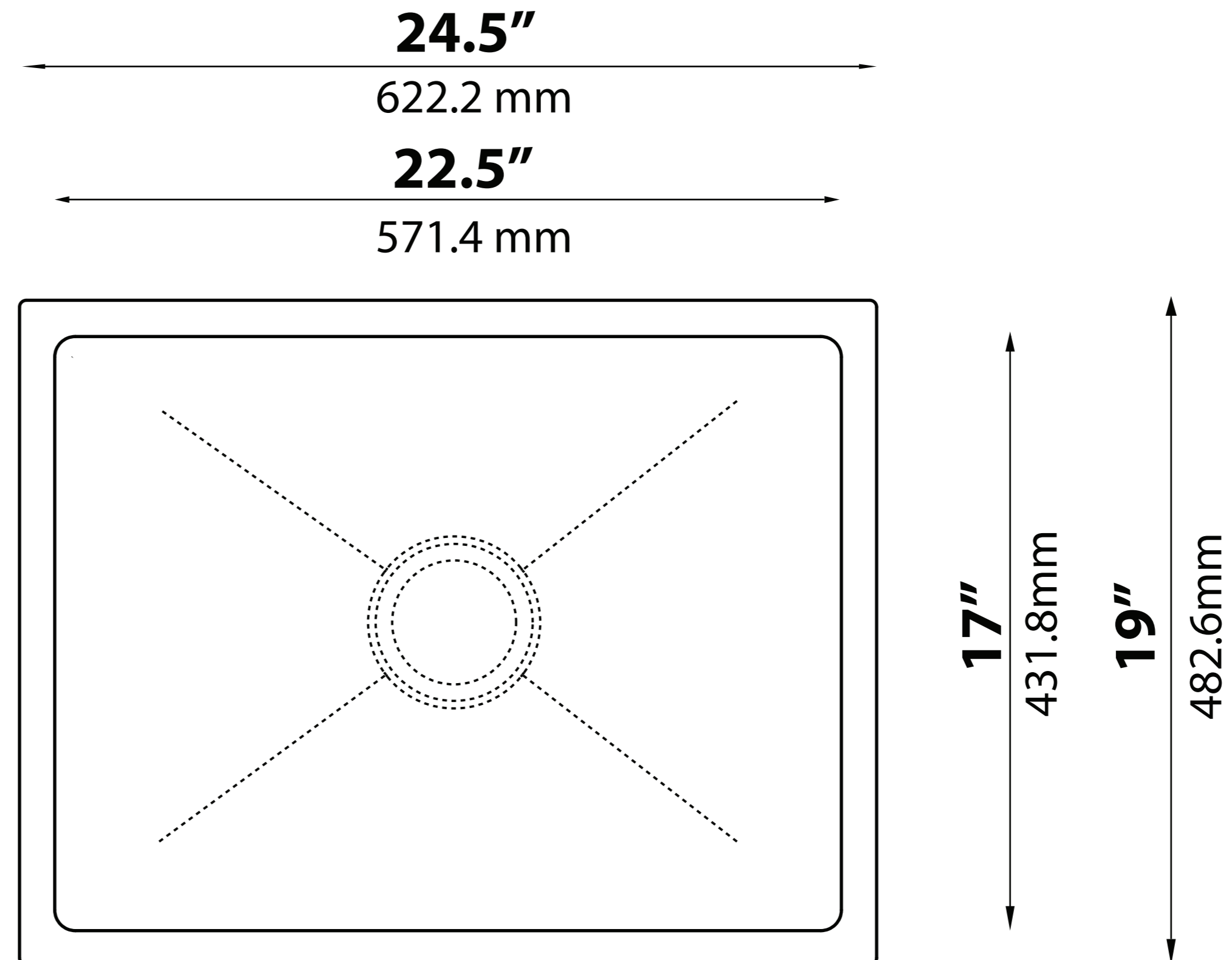


Kräus[®]
www.kraususa.com

**Model No.
KHU6N1-25**

Undermount Cut-out

Pro Hotline: 516.801.8955
Customer Service: 800.775.0703



- ← Please use outer edge for Positive reveal 3/8"
- ← Please tear perforated edge for zero / flushed reveal
- ← Please cut along inner solid line for Negative reveal 1/8"

NOTES: Cutout template is provided as a guide **ONLY** and must be checked against actual sink to verify correct fit.