

88 5053 42 Night Stand

IMPORTANT NOTE

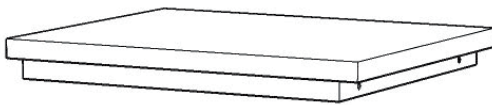
Carefully remove all the parts from the carton and put them individually on a soft cloth to prevent scratches or other damage occurring to the parts.

We have taken great care in the design of this product and request that you carefully and strictly follow our assembly instructions to ensure a completed product as it was designed.

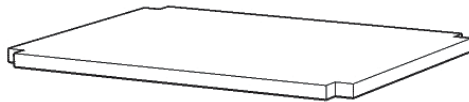
*Home
Styles*



Part List



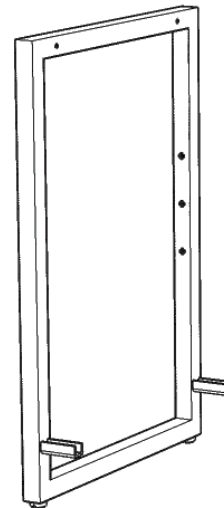
**A.
Top**
1 pc.



**B.
Shelf**
1 pc.

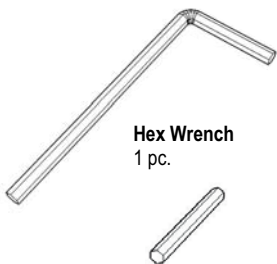


**C.
Shelf**
1 pc.



**D.
Side Frame**
2 pcs.

Hardware List



Hex Wrench
1 pc.

Small Hex Wrench
1 pc.



**M6x19
Head Cap Bolt**
8 pcs. (+1 extra)



**M6x38
Head Cap Bolt (long)**
4 pcs. (+1 extra)



Spring Washer
12 pcs. (+1 extra)



Flat Washer
12 pcs. (+1 extra)



Adjustable Pin
4 pcs.

Tools required for assembly : Level

Home Styles Consumer Assistance : www.homestyles-furniture.com,
servicedesk@homestyles-furniture.com, 888-680-7460, 877-831-0319

IMPORTANT

- * Please keep Hex Wrench in a safe place as you may need to tighten up the Head Cap Bolts in the future.
- * Do not tighten all the Head Cap Bolts until each part is properly assembled.
- * Use a soft cloth between these parts and the floor.
- * After assembly, item must be level to work properly. Use the included adjustable levelers to level.

STEP 1

Attach Top A to Side Frame (D) with Flat Washers, Spring Washers and Head Cap Bolts (long), tightening the bolts only half way. (See Figure 1)

Attach Shelf (C) to unit with Flat Washers, Spring Washers and Head Cap Bolts, tightening the bolts only half way.

Attach Side Frame (D) to unit with Flat Washers, Spring Washers, Head Cap Bolts and Head Cap Bolts (long), tightening the bolts only half way.

Tighten all Head Cap Bolts.

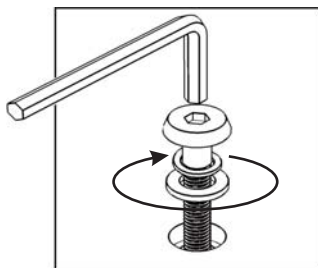
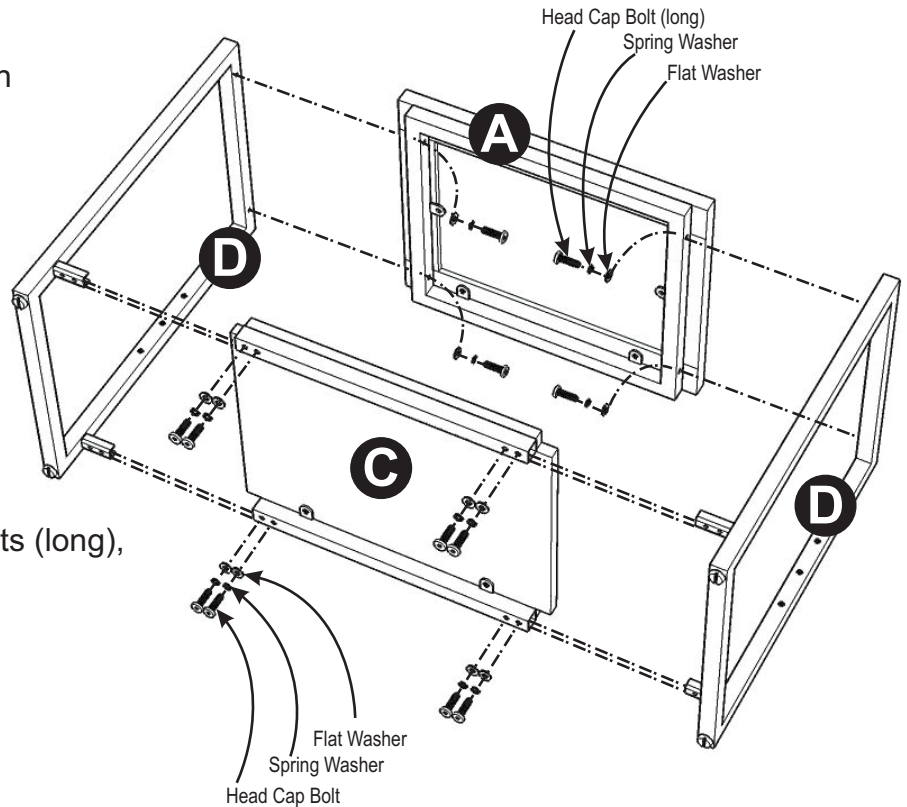


Figure 1

STEP 2

Turn the unit to its' upright position.

Insert Adjustable Pins into side frame unit at the desired level.

Place Shelf (B) into position.

To level the unit, adjust the adjustable levelers on the bottom of unit. (See Figure 2)

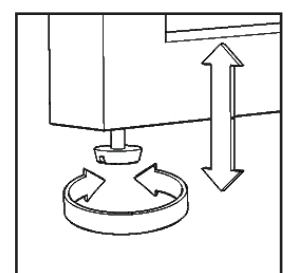
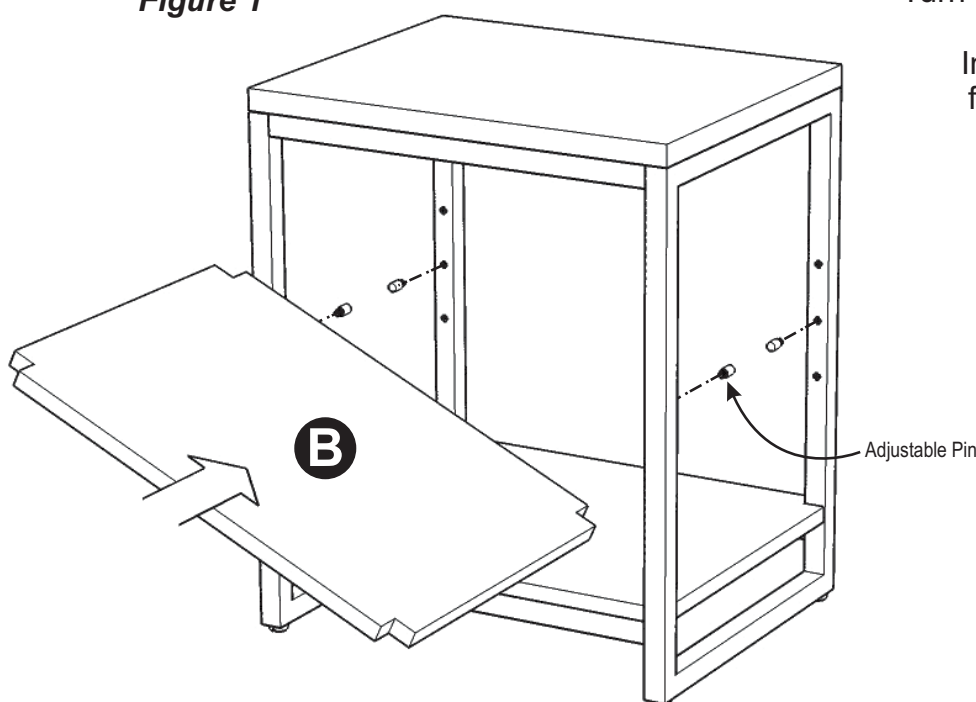


Figure 2