

IMPORTANT

Carefully remove all the parts from the carton and place them individually on a soft cloth to prevent scratches or other damage.

Carefully and strictly follow these assembly instructions to ensure a completed product as designed.

Do not use power tools above 8 volts to assemble.

Part List



A.
Top
1 pc.



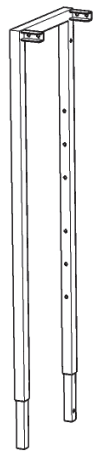
B.
Shelf
2 pcs.



C.
Shelf
1 pc.



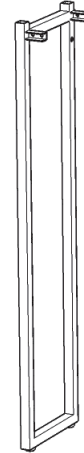
H.
Front Stretcher
2 pcs.



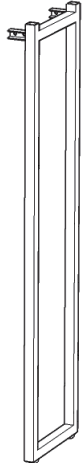
D.
Side Frame
1 pc.



E.
Side Frame
1 pc.



F.
Side Frame
1 pc.



G.
Side Frame
1 pc.



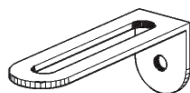
I.
Back Stretcher
2 pcs.

Hardware List

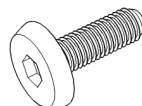


Hex Wrench
1 pc.

Small Hex Wrench
1 pc.



Steel Plate
2 pcs.



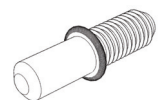
M6x16
Head Cap Bolt
32 pcs. (+1 extra)



Spring Washer
32 pcs. (+1 extra)



Flat Washer
32 pcs. (+1 extra)



Adjustable Pin
8 pcs. (+1 extra)

Tool(s) required for assembly: Phillips screwdriver, Level, Drill (8 volts or less), 3/8" Drill Bit, Pencil

Home Styles Customer Service: www.homestyles-furniture.com,
 servicedesk@homestyles-furniture.com, 888-680-7460, 877-831-0319

Assembly Instructions 2/4

IMPORTANT

- Use a soft cloth between these parts and the floor.
- Do not use power tools above 8 volts to assemble.
- Do not tighten all the bolts until each part is properly assembled.
- The unit must be level to work properly. Use the included adjustable levelers to level.
- Keep Hex Wrench in a safe place as the bolts may need to be tightened up in the future.

STEP 1

Attach Side Frames (D) to Side Frame (F) with Flat Washer, Spring Washer and Head Cap Bolt, tightening the bolt only half way. (See Figure 1)

Attach Steel Plates to Back Stretcher (I) with Flat Washers, Spring Washers and Head Cap Bolts. (See Figure 2)

Attach Front Stretchers (H) and Back Stretchers (I) to unit with Flat Washers, Spring Washers and Head Cap Bolts, tightening the bolts only half way.

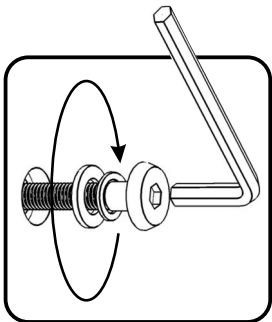
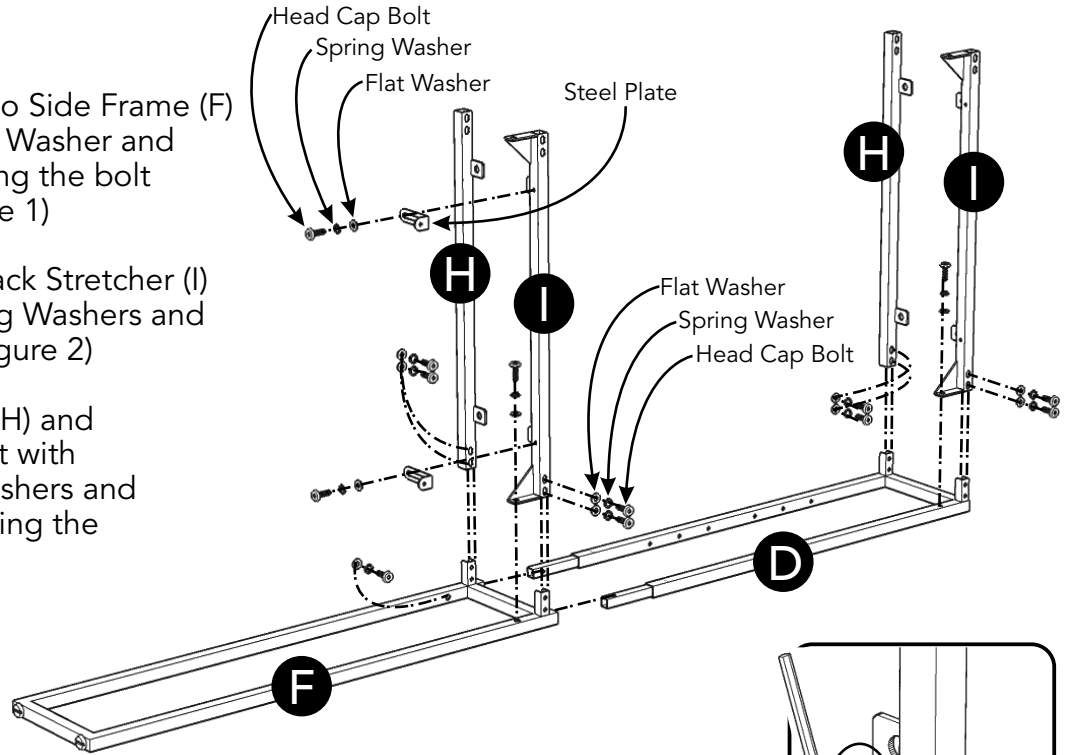


Figure 1

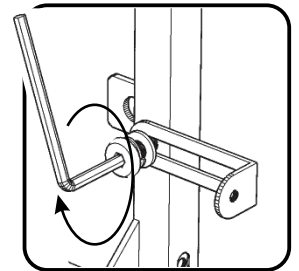
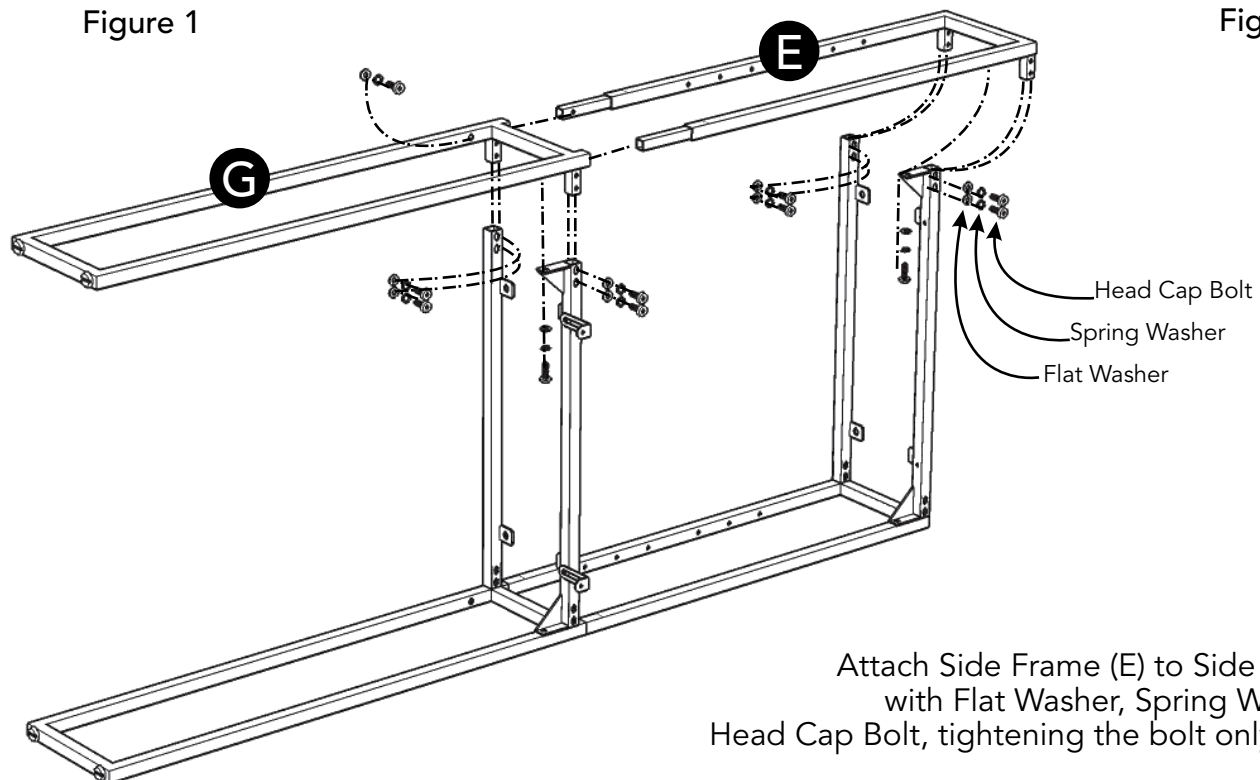


Figure 2



STEP 2

Attach Side Frame (E) to Side Frame (G) with Flat Washer, Spring Washer and Head Cap Bolt, tightening the bolt only half way.

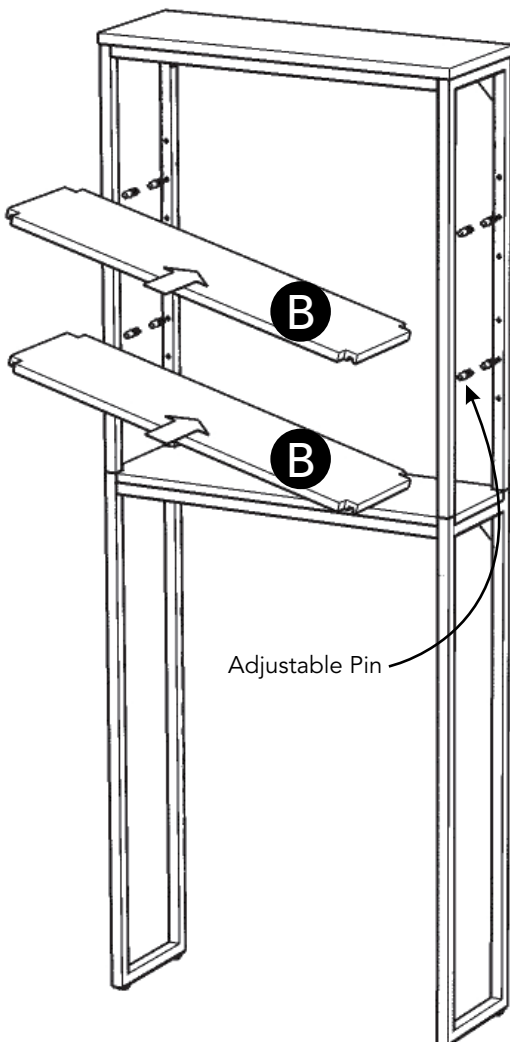
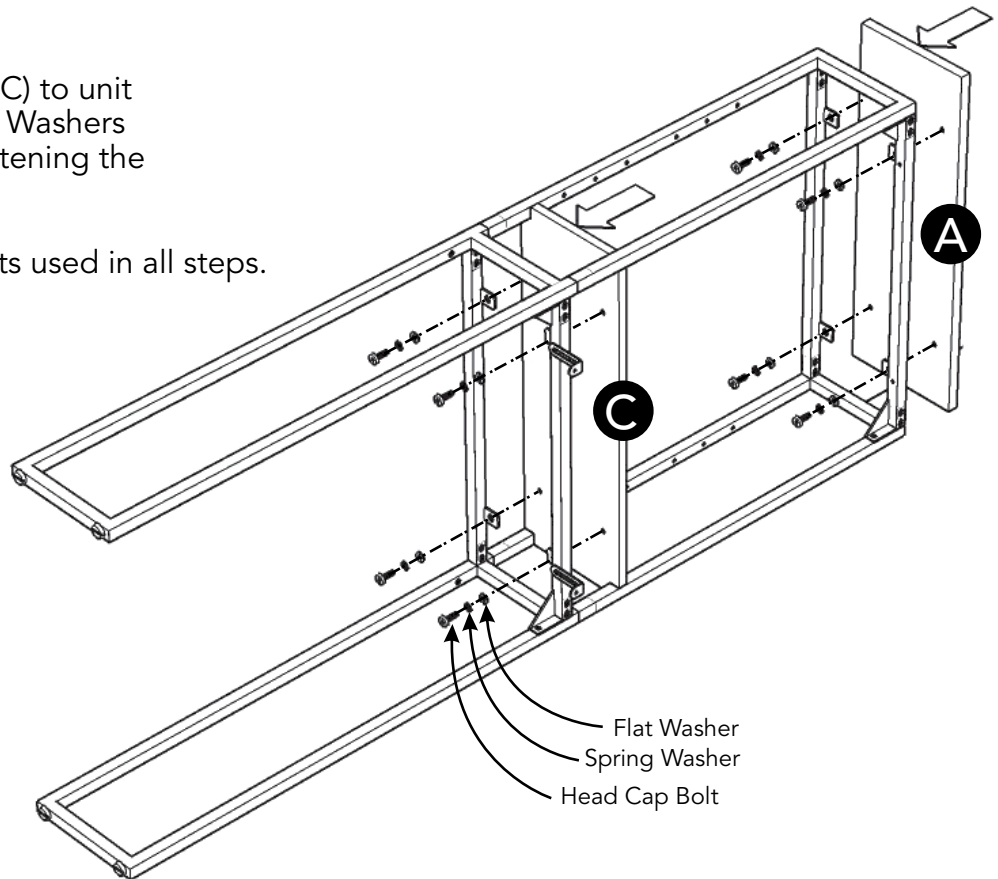
Attach unit to unit from Step 1 with Flat Washers, Spring Washers and Head Cap Bolts, tightening the bolts only half way.

Assembly Instructions 3/4

STEP 3

Attach Top (A) and Shelf (C) to unit with Flat Washers, Spring Washers and Head Cap Bolts, tightening the bolts only half way.

Tighten all Head Cap Bolts used in all steps.



STEP 4

Turn unit to its' upright position.

Insert Adjustable Pins into unit at desired level.
(See Figure 3)

Place Shelves (B) into position.

Level unit by adjusting the adjustable levels
on the bottom of unit. (See Figure 4)

Note: Unit must be level to work properly.

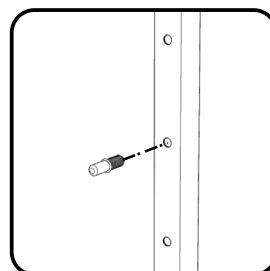


Figure 3

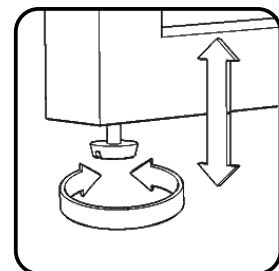


Figure 4

Assembly Instructions 4/4

IMPORTANT

- To help reduce the risk of the unit tipping over, the Tip-over Restraint must be installed following these instructions exactly.

STEP 5

Place unit at desired location.

Loosen slightly the Head Cap Bolts attaching Steel Plates to the unit, slide the Steel Plates to the wall, then re-tighten the Head Cap Bolts.

Mark wall with pencil in the Steel Plates screw holes. (See Figure 5)

Move unit.

Drill 3/8" holes in wall at pencil marks.

Insert Anchors into the wall holes.

Move unit back into place.

Attach Steel Plates to wall with Wall Screws. (See Figure 6)

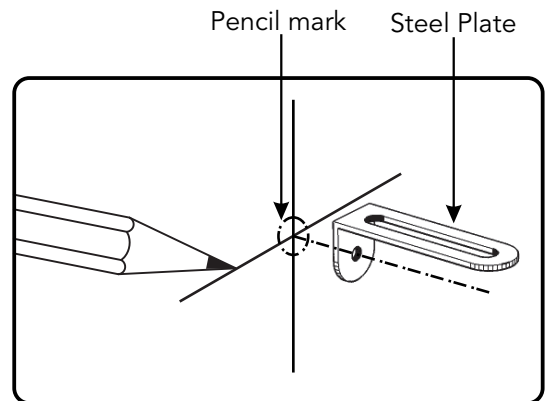


Figure 5

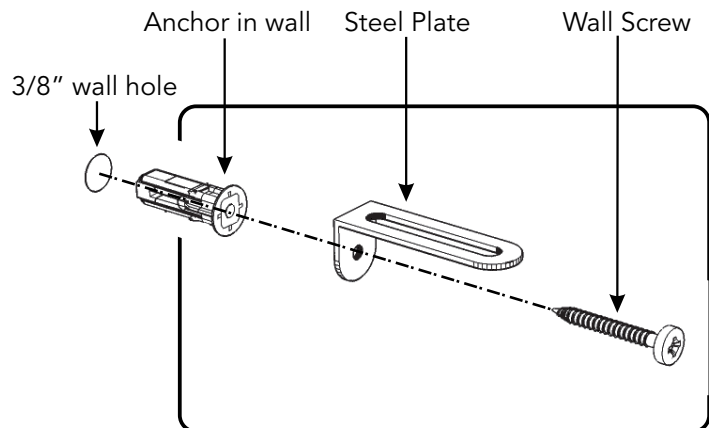
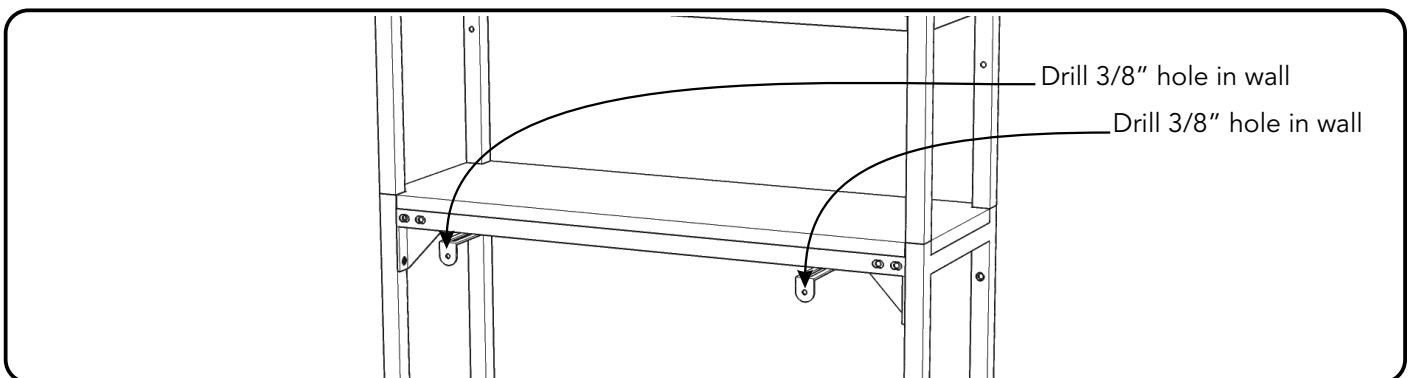
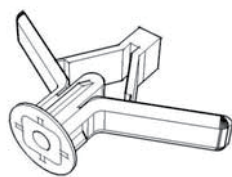


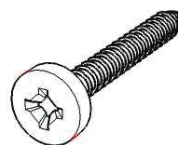
Figure 6



Hardware List



Anchor
2 pcs. (+1 extra)



M3.5x40
Wall Screw
2 pcs. (+1 extra)

CARE INSTRUCTIONS

NEVER

allow liquids to remain on furniture.
Absorption causes parts to warp
and split and finishes to delaminate.

NEVER

use glass cleaners on
finished furniture. Ammonia
chemically attacks the finish.



Do not use power tools
above 8 volts to assemble.

**PREVENT
CRACKING**



Do not place
in direct sunlight.

**PREVENT
FADING**



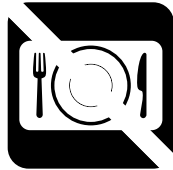
Do not write
directly on surface.

**PREVENT
MARKING**



Do not place hot
objects on surface.

**PREVENT
FINISH DAMAGE**



Do not use rubber
based placemats.

**PREVENT
DISCOLORING**



Do not use commercial
waxes and polishes.

**PREVENT
YELLOWING**

CLEAN

with a soft cloth moistened
in lukewarm soap and water.
Buff with a dry clean cloth.



Home Styles will provide replacements free of charge for missing or damaged hardware or parts within 30 days of purchase. Digital images of the defective parts may be required. If the product was not purchased from an authorized retail affiliate, Home Styles is under no obligation to provide replacement parts. Parts are not available for fully assembled items nor are parts available for sale. Replacements for missing or damaged hardware or parts may be requested at:

www.homestyles-furniture.com/customer-service/replacement-parts

Home Styles Customer Service: www.homestyles-furniture.com,
servicedesk@homestyles-furniture.com, 888-680-7460, 877-831-0319