

# VP6030CTML/R 60 x 30 Veritek™ Pro Bathtub

**Model number:**

VP6030CTMR.010

**Dimensions:** 60" x 30" x 18"

**Installation:** Alcove

**Material:** Veritek™ Pro



## Standard Features:

- Light weight, durable construction
- Installed Direct to Stud
- Curved lines for a timeless design
- Durable Matte Finish
- 15 Year Residential Limited Warranty

## Product characteristics:

- Coordinating wall set available
- Above-the-Floor Rough (AFR)
- Easy Installation

## Standard Colors:



White

## Certifications

SWAN products adhere to one or more of the following certifications:



# VP6030CTML/R 60 x 30 Veritek™ Pro Bathtub

**Model number:**

VP6030CTMR.010

**Dimensions:** 60" x 30" x 18"

**Installation:** Alcove

**Material:** Veritek™ Pro

### Dimensions

60 x 30 x 18 In.  
(1524 x 762 x 457 mm)

### Water Capacity

37 gallons

### Weight

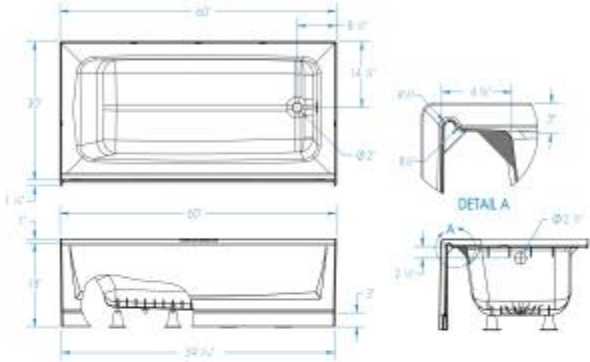
54 lbs - 24 kg

### Drain location:

Left

Right

VP6030CTM



Project: \_\_\_\_\_

Contractor: \_\_\_\_\_

Representative: \_\_\_\_\_

Date: \_\_\_\_\_

Tel: \_\_\_\_\_

Notes: \_\_\_\_\_

\_\_\_\_\_

\_\_\_\_\_

